



Reverse Polarity SMA Male to Reverse Polarity SMA Male Adapter

TECHNICAL DATA SHEET

PE9590

Reverse Polarity SMA Male to Reverse Polarity SMA Male Adapter

Configuration

Connector 1	SMA Male Reverse Polarity
Impedance 1	50 Ohms
Connector Specification 1	MIL-STD-348
Connector 2	SMA Male Reverse Polarity
Impedance 2	50 Ohms
Connector Specification 2	MIL-STD-348
Adapter Design	Standard
Body Style	Straight

Mechanical Specifications

Size

Length, in [mm]	0.86 [21.84]
Width/Dia., in [mm]	0.312 [7.92]

Connector 1

Type	SMA Male Reverse Polarity
Inner Conductor Material and Plating	Beryllium Copper, Gold
Inner Conductor Plating Specification	MIL-G-45204, Type II, Class 2
Coupling Nut Material and Plating	Passivated Stainless Steel
Coupling Nut Plating Specification	QQ-P-35
Hex Size, Inch	5/16
Torque, in-lbs [Nm]	8 [0.9]
Body Material and Plating	Passivated Stainless Steel
Body Plating Specification	QQ-P-35
Dielectric Type	Teflon

Connector 2

Type	SMA Male Reverse Polarity
Inner Conductor Material and Plating	Beryllium Copper, Gold
Inner Conductor Plating Specification	MIL-G-45204, Type II, Class 2
Coupling Nut Material and Plating	Passivated Stainless Steel
Coupling Nut Plating Specification	QQ-P-35
Hex Size, Inch	5/16
Torque, in-lbs [Nm]	8 [0.9]
Body Material and Plating	Passivated Stainless Steel
Body Plating Specification	QQ-P-35
Dielectric Type	Teflon

Compliance Certifications (visit www.Pasternack.com for current document)

RoHS Compliant	Yes
----------------	-----

Click the following link (or enter part number in "SEARCH" on website) to obtain additional part information including price, inventory and certifications: [Reverse Polarity SMA Male to Reverse Polarity SMA Male Adapter PE9590](#)

The information contained in this document is accurate to the best of our knowledge and representative of the part described herein. It may be necessary to make modifications to the part and/or the documentation of the part, in order to implement improvements. Pasternack reserves the right to make such changes as required. Unless otherwise stated, all specifications are nominal.



Reverse Polarity SMA Male to Reverse Polarity SMA Male Adapter

TECHNICAL DATA SHEET

PE9590

Plotted and Other Data

Notes:

Values at 25 °C, sea level

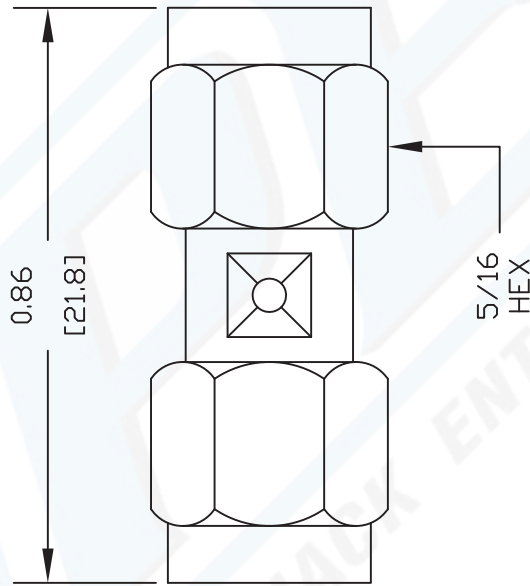
URL: <http://www.pasternack.com/sma-male-sma-male-straight-adapter-pe9590-p.aspx>

Reverse Polarity SMA Male to Reverse Polarity SMA Male Adapter from Pasternack Enterprises has same day shipment for domestic and International orders. Our RF, microwave and fiber optic products maintain a 99% availability and are part of the broadest selection in the industry.

The information contained in this document is accurate to the best of our knowledge and representative of the part described herein. It may be necessary to make modifications to the part and/or the documentation of the part, in order to implement improvements. Pasternack reserves the right to make such changes as required. Unless otherwise stated, all specifications are nominal.

PE9590 CAD Drawing

Reverse Polarity SMA Male to Reverse Polarity SMA Male Adapter



NOTES:
1. UNLESS OTHERWISE SPECIFIED ALL DIMENSIONS ARE NOMINAL.
2. ALL SPECIFICATIONS ARE SUBJECT TO CHANGE WITHOUT NOTICE AT ANY TIME.
3. DIMENSIONS ARE IN INCHES [mm].

DWG TITLE

PE9590

PASTERNAK ENTERPRISES, INC.
P.O. BOX 16759, IRVINE, CA 92623
PHONE (949) 261-1920 FAX (949) 261-7451
WEB ADDRESS: www.pasternack.com
E-MAIL ADDRESS: sales@pasternack.com
COAXIAL & FIBER OPTICS



127

SIZE A

SCALE N/A

CAD FILE 100202

FSCM NO. 53919

REV. -