



Reverse Polarity SMA Male to Reverse Polarity SMA Female Adapter

TECHNICAL DATA SHEET

PE9591

Reverse Polarity SMA Male to Reverse Polarity SMA Female Adapter

Configuration

Connector 1	SMA Male Reverse Polarity
Impedance 1	50 Ohms
Connector 2	SMA Female Reverse Polarity
Impedance 2	50 Ohms
Adapter Design	Standard
Body Style	Straight

Mechanical Specifications

Size

Length, in [mm]	0.727 [18.47]
Width/Dia., in [mm]	0.312 [7.92]

Connector 1

Type	SMA Male Reverse Polarity
Inner Conductor Material and Plating	Gold
Coupling Nut Material and Plating	Brass, Nickel
Hex Size, in.	5/16
Torque, in-lbs [Nm]	5 [0.57]
Body Material and Plating	Brass, Nickel
Dielectric Type	PTFE

Connector 2

Type	SMA Female Reverse Polarity
Inner Conductor Material and Plating	Gold
Body Material and Plating	Brass, Nickel
Dielectric Type	PTFE

Compliance Certifications (visit www.Pasternack.com for current document)

RoHS Compliant	Yes
----------------	-----

Click the following link (or enter part number in "SEARCH" on website) to obtain additional part information including price, inventory and certifications: [Reverse Polarity SMA Male to Reverse Polarity SMA Female Adapter PE9591](#)

The information contained in this document is accurate to the best of our knowledge and representative of the part described herein. It may be necessary to make modifications to the part and/or the documentation of the part, in order to implement improvements. Pasternack reserves the right to make such changes as required. Unless otherwise stated, all specifications are nominal.



Reverse Polarity SMA Male to Reverse Polarity SMA Female Adapter

TECHNICAL DATA SHEET

PE9591

Plotted and Other Data

Notes:

Values at 25 °C, sea level

Reverse Polarity SMA Male to Reverse Polarity SMA Female Adapter from Pasternack Enterprises has same day shipment for domestic and International orders. Our RF, microwave and fiber optic products maintain a 99% availability and are part of the broadest selection in the industry.

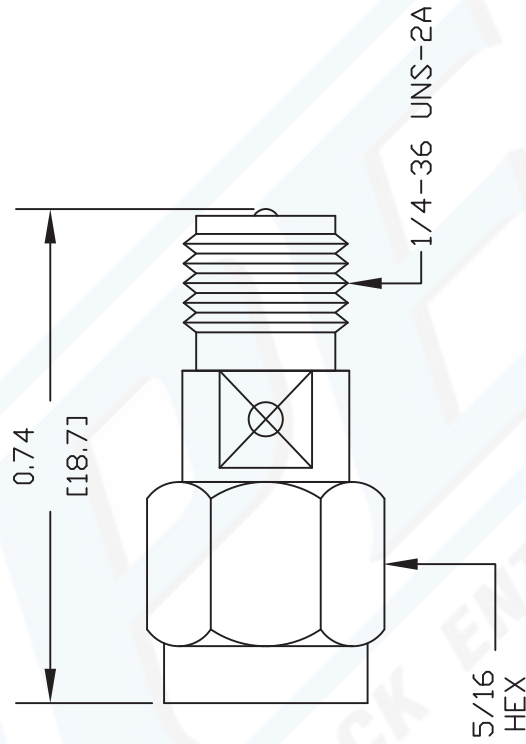
Click the following link (or enter part number in "SEARCH" on website) to obtain additional part information including price, inventory and certifications: [Reverse Polarity SMA Male to Reverse Polarity SMA Female Adapter PE9591](http://www.pasternack.com/sma-male-sma-female-straight-adapter-pe9591-p.aspx)

URL: <http://www.pasternack.com/sma-male-sma-female-straight-adapter-pe9591-p.aspx>

The information contained in this document is accurate to the best of our knowledge and representative of the part described herein. It may be necessary to make modifications to the part and/or the documentation of the part, in order to implement improvements. Pasternack reserves the right to make such changes as required. Unless otherwise stated, all specifications are nominal.

PE9591 CAD Drawing

Reverse Polarity SMA Male to Reverse Polarity SMA Female Adapter



DWG TITLE

PE9591

NOTES:
1. UNLESS OTHERWISE SPECIFIED ALL DIMENSIONS ARE NOMINAL.
2. ALL SPECIFICATIONS ARE SUBJECT TO CHANGE WITHOUT NOTICE AT ANY TIME.
3. DIMENSIONS ARE IN INCHES [mm].

REV. -

FSCM NO. 53919

CAD FILE 100202

SCALE N/A

SIZE A

127

PASTERNAK ENTERPRISES, INC.

P.O. BOX 16759, IRVINE, CA 92623
PHONE (949) 261-1920 FAX (949) 261-7451

WEB ADDRESS: www.pasternack.com
E-MAIL ADDRESS: sales@pasternack.com

COAXIAL & FIBER OPTICS

