



## 75 Ohm Mini SMB Jack to 75 Ohm Mini SMB Jack Adapter

### RF Adapters Technical Data Sheet

PE9608

#### Configuration

- Mini SMB Jack Connector 1
- Mini SMB Jack Connector 2
- 75 Ohm
- Straight Body Geometry

#### Features

- Mini SMB interface compliant with MIL-STD-348A
- 50 µin minimum contact plating
- Gold Plated Brass Contact

#### Applications

- General Purpose Test

#### Description

Pasternack's PE9608 75 ohm Mini SMB jack to Mini SMB jack adapter is part of our full line of RF components available for same-day shipping. Our Mini SMB to Mini SMB adapter has a jack to jack gender configuration.

RF adapters are often used to enable connections between two connector types that would otherwise not mate. Certain adapter configurations can also be used to protect connectors on expensive equipment where the number of connect/disconnect cycles is high. An RF, microwave or millimeter wave adapter is connected to the equipment, and the commonly changed connection is made with the adapter which can be easily replaced when it wears out after high usage; such adapters are referred to as connector savers. Pasternack also offers bulkhead, panel mount, hermetically sealed, reverse polarity, and isolated ground adapter varieties to serve all of your RF, microwave and millimeter wave needs.

#### Mechanical Specifications

##### Size

Length	0.835 in [21.21 mm]
Width	0.28 in [7.11 mm]
Weight	0.007 lbs [3.18 g]

Description	Connector 1	Connector 2
Type	Mini SMB Jack	Mini SMB Jack
Polarity	Standard	Standard
Interface Specification	MIL-STD-348A	MIL-STD-348A
Mating Cycles	500	500

Click the following link (or enter part number in "SEARCH" on website) to obtain additional part information including price, inventory and certifications: [75 Ohm Mini SMB Jack to 75 Ohm Mini SMB Jack Adapter PE9608](#)



75 Ohm Mini SMB Jack to 75 Ohm Mini SMB Jack Adapter

RF Adapters Technical Data Sheet

PE9608

**Material Specifications**

Description	Connector 1		Connector 2	
	Material	Plating	Material	Plating
Type	Mini SMB Jack		Mini SMB Jack	
Contact	Brass	Gold 50 µin minimum	Brass	Gold 50 µin minimum
Insulation	PTFE		PTFE	
Outer Conductor	Brass	Gold 3 µin minimum	Brass	Gold 3 µin minimum

**Compliance Certifications** (see [product page](#) for current document)

75 Ohm Mini SMB Jack to 75 Ohm Mini SMB Jack Adapter from Pasternack Enterprises has same day shipment for domestic and International orders. Our RF, microwave and millimeter wave products maintain a 99.4% availability and are part of the broadest selection in the industry.

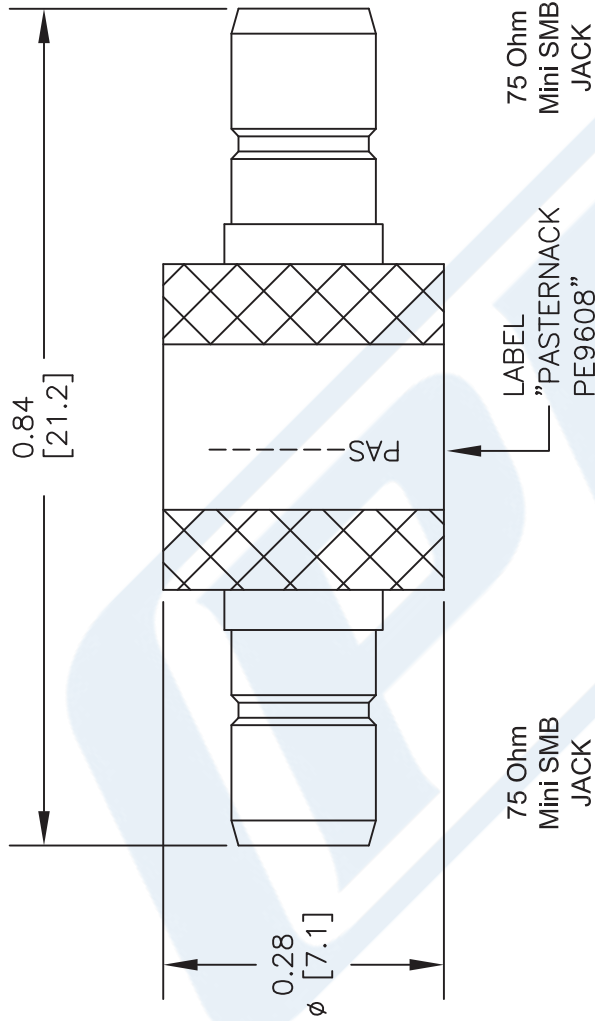
Click the following link (or enter part number in "SEARCH" on website) to obtain additional part information including price, inventory and certifications: [75 Ohm Mini SMB Jack to 75 Ohm Mini SMB Jack Adapter PE9608](#)

URL: <https://www.pasternack.com/mini-smb-jack-mini-smb-jack-straight-adapter-pe9608-p.aspx>

The information contained in this document is accurate to the best of our knowledge and representative of the part described herein. It may be necessary to make modifications to the part and/or the documentation of the part, in order to implement improvements. Pasternack reserves the right to make such changes as required. Unless otherwise stated, all specifications are nominal. Pasternack does not make any representation or warranty regarding the suitability of the part described herein for any particular purpose, and Pasternack does not assume any liability arising out of the use of any part or documentation.

# PE9608 CAD Drawing

75 Ohm Mini SMB Jack to 75 Ohm Mini SMB Jack Adapter



**STANDARD TOLERANCES**

.X ±0.2  
 .XX ±0.1  
 .XXX ±0.05

\*STANDARD TOLERANCES APPLY ONLY TO DIMENSIONS IN INCHES



Pasternack Enterprises, Inc.  
 P.O. Box 16759 | Irvine | CA | 92623  
**Phone:** (949) 261-1920 | **Fax:** (949) 261-7451  
**Website:** www.pasternack.com | **E-Mail:** sales@pasternack.com

DWG TITLE

**PE9608**

FSCM NO. 53919

CAD FILE 061616

SCALE N/A

SIZE A

2233

NOTES:  
 1. UNLESS OTHERWISE SPECIFIED ALL DIMENSIONS ARE NOMINAL.  
 2. ALL SPECIFICATIONS ARE SUBJECT TO CHANGE WITHOUT NOTICE AT ANY TIME.  
 3. DIMENSIONS ARE IN INCHES [mm].