



Bulkhead 75 Ohm Mini SMB Jack to Mini SMB Jack Adapter

TECHNICAL DATA SHEET

PE9611

Bulkhead 75 Ohm Mini SMB Jack to Mini SMB Jack Adapter

Configuration

Connector 1	Mini SMB Jack
Impedance 1	75 Ohms
Connector Specification 1	MIL-C-39012
Connector 2	Mini SMB Jack
Impedance 2	75 Ohms
Connector Specification 2	MIL-C-39012
Adapter Design	Standard
Body Style	Straight
Mount Method	Bulkhead

Mechanical Specifications

Temperature

Operating Range, deg C	-65 to +165
------------------------	-------------

Size

Length, in [mm]	0.75 [19.05]
Width/Dia., in [mm]	0.25 [6.35]

Connector 1

Type	Mini SMB Jack
Inner Conductor Material and Plating	Gold
Inner Conductor Plating Specification	MIL-G-45204
Body Material and Plating	Brass, Gold
Body Plating Specification	MIL-G-45204
Dielectric Type	Teflon

Connector 2

Type	Mini SMB Jack
Inner Conductor Material and Plating	Gold
Inner Conductor Plating Specification	MIL-G-45204
Body Material and Plating	Brass, Gold
Body Plating Specification	MIL-G-45204
Dielectric Type	Teflon

Compliance Certifications (visit www.Pasternack.com for current document)

RoHS Compliant	Yes
----------------	-----

Click the following link (or enter part number in "SEARCH" on website) to obtain additional part information including price, inventory and certifications: [Bulkhead 75 Ohm Mini SMB Jack to Mini SMB Jack Adapter PE9611](#)

The information contained in this document is accurate to the best of our knowledge and representative of the part described herein. It may be necessary to make modifications to the part and/or the documentation of the part, in order to implement improvements. Pasternack reserves the right to make such changes as required. Unless otherwise stated, all specifications are nominal.



Bulkhead 75 Ohm Mini SMB Jack to Mini SMB Jack Adapter

TECHNICAL DATA SHEET

PE9611

Plotted and Other Data

Notes:

Values at 25 °C, sea level

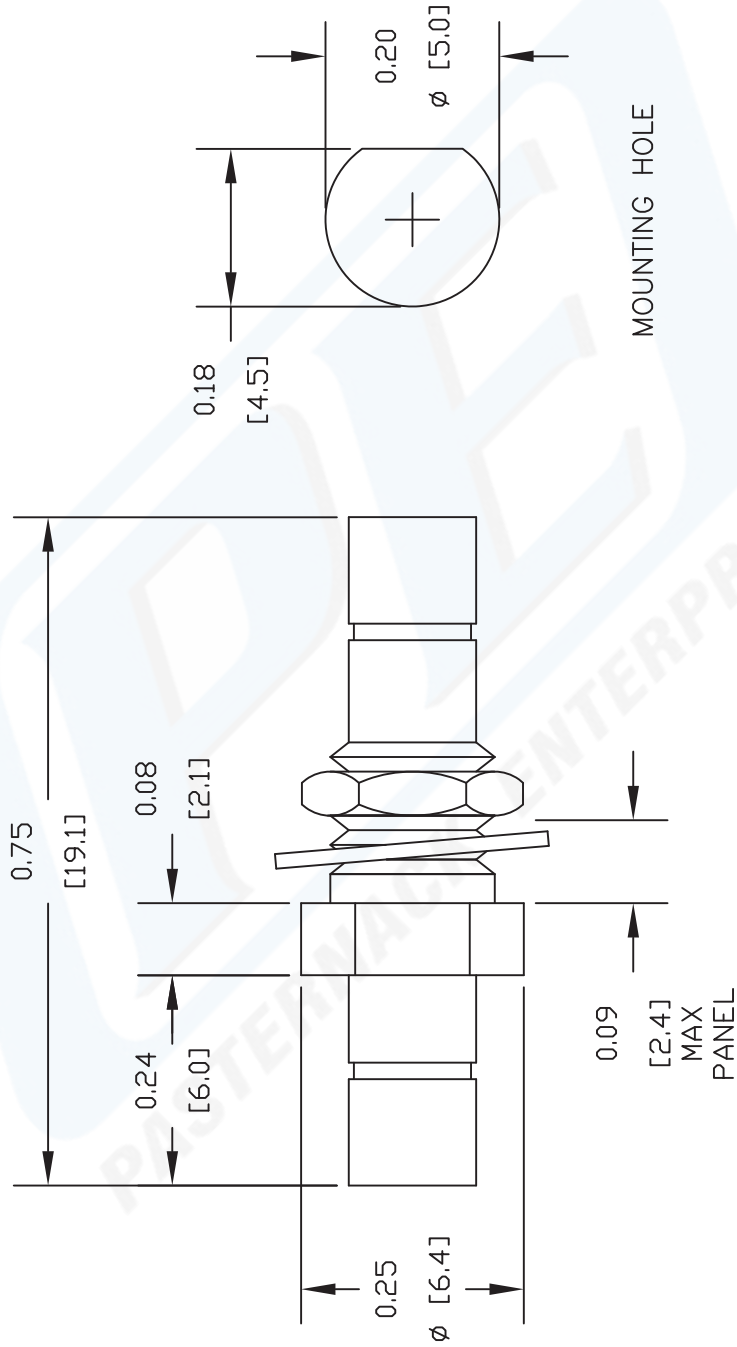
URL: <http://www.pasternack.com/mini-smb-jack-mini-smb-jack-straight-adapter-pe9611-p.aspx>

Bulkhead 75 Ohm Mini SMB Jack to Mini SMB Jack Adapter from Pasternack Enterprises has same day shipment for domestic and International orders. Our RF, microwave and fiber optic products maintain a 99% availability and are part of the broadest selection in the industry.

The information contained in this document is accurate to the best of our knowledge and representative of the part described herein. It may be necessary to make modifications to the part and/or the documentation of the part, in order to implement improvements. Pasternack reserves the right to make such changes as required. Unless otherwise stated, all specifications are nominal.

PE9611 CAD Drawing

Bulkhead 75 Ohm Mini SMB Jack to Mini SMB Jack Adapter



DWG TITLE

PE9611

NOTES:
1. UNLESS OTHERWISE SPECIFIED ALL DIMENSIONS ARE NOMINAL.
2. ALL SPECIFICATIONS ARE SUBJECT TO CHANGE WITHOUT NOTICE AT ANY TIME.
3. DIMENSIONS ARE IN INCHES [mm].

PASTERNAK ENTERPRISES, INC.
P O BOX 16759, IRVINE, CA 92623
PHONE (949) 261-1920 FAX (949) 261-7451
WEB ADDRESS: www.pasternack.com
E-MAIL ADDRESS: sales@pasternack.com
COAXIAL & FIBER OPTICS



REV. -

FSCM NO. 53919

CAD FILE 100302

SCALE N/A

SIZE A

127