



## 75 Ohm TNC Male to TNC Female Right Angle Adapter

### RF Adapters Technical Data Sheet

PE9623

#### Configuration

- TNC Male Connector 1
- TNC Female Connector 2
- 75 Ohms
- Right Angle Body Geometry

#### Features

- TNC Interface compliant with MIL-STD-348
- Silver Plated Contact
- Contact Plating per QQ-S-365

#### Applications

- General Purpose Test

#### Description

Pasternack's PE9623 75 ohm TNC male to TNC female right angle adapter is part of our full line of RF components available for same-day shipping. Our TNC to TNC adapter has a male to female gender configuration. This low profile right angle TNC adapter allows for easier connections in tight spaces.

RF adapters are often used to enable connections between two connector types that would otherwise not mate. Certain adapter configurations can also be used to protect connectors on expensive equipment where the number of connect/disconnect cycles is high. An RF, microwave or millimeter wave adapter is connected to the equipment, and the commonly changed connection is made with the adapter which can be easily replaced when it wears out after high usage; such adapters are referred to as connector savers. Pasternack also offers bulkhead, panel mount, hermetically sealed, reverse polarity, and isolated ground adapter varieties to serve all of your RF, microwave and millimeter wave needs.

#### Electrical Specifications

Description	Minimum	Typical	Maximum	Units
Operating Voltage (AC)			500	Vrms
Dielectric Withstanding Voltage (AC)			1,500	Vrms
Insulation Resistance	5,000			MOhms

Electrical Specification Notes:  
Values at 25°C, sea level

#### Mechanical Specifications

Size	
Length	0.8 in [20.32 mm]
Width	0.59 in [14.99 mm]
Height	1.025 in [26.04 mm]
Weight	0.048 lbs [21.77 g]

Click the following link (or enter part number in "SEARCH" on website) to obtain additional part information including price, inventory and certifications: [75 Ohm TNC Male to TNC Female Right Angle Adapter PE9623](#)



## 75 Ohm TNC Male to TNC Female Right Angle Adapter

### RF Adapters Technical Data Sheet

PE9623

Description	Connector 1	Connector 2
Type	TNC Male	TNC Female
Polarity	Standard	Standard
Interface Specification	MIL-STD-348	MIL-STD-348

#### Material Specifications

Description	Connector 1		Connector 2	
	Material	Plating	Material	Plating
Type	TNC Male		TNC Female	
Contact		Silver QQ-S-365		Silver QQ-S-365
Insulation	PTFE		PTFE	
Outer Conductor			Brass	Nickel QQ-N-290
Body	Brass	Nickel QQ-N-290		
Coupling Nut	Brass	Nickel QQ-N-290		

#### Environmental Specifications

##### Temperature

Operating Range

-65 to +165 deg C

**Compliance Certifications** (see [product page](#) for current document)

#### Plotted and Other Data

Notes:

Click the following link (or enter part number in "SEARCH" on website) to obtain additional part information including price, inventory and certifications: [75 Ohm TNC Male to TNC Female Right Angle Adapter PE9623](#)



## 75 Ohm TNC Male to TNC Female Right Angle Adapter

### RF Adapters Technical Data Sheet

PE9623

75 Ohm TNC Male to TNC Female Right Angle Adapter from Pasternack Enterprises has same day shipment for domestic and International orders. Our RF, microwave and millimeter wave products maintain a 99% availability and are part of the broadest selection in the industry.

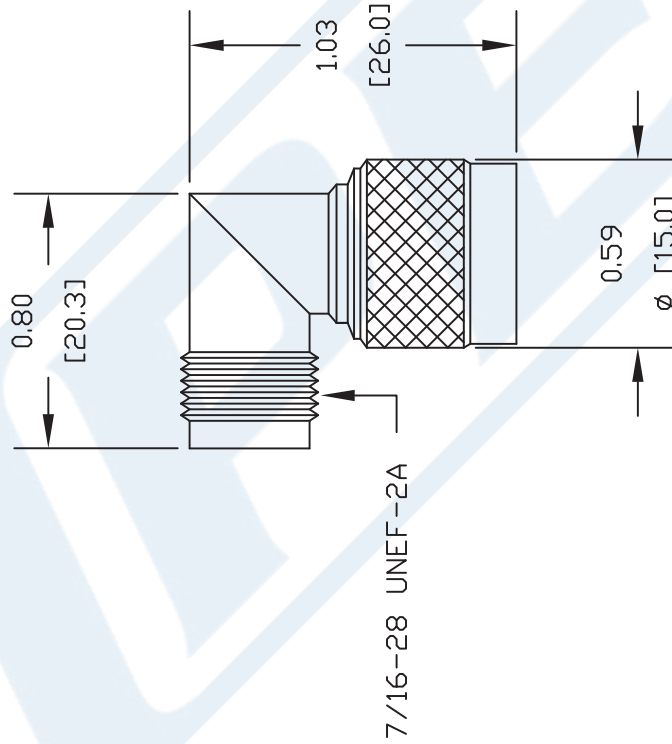
Click the following link (or enter part number in "SEARCH" on website) to obtain additional part information including price, inventory and certifications: [75 Ohm TNC Male to TNC Female Right Angle Adapter PE9623](https://www.pasternack.com/tnc-male-tnc-female-right-angle-adapter-pe9623-p.aspx)

URL: <https://www.pasternack.com/tnc-male-tnc-female-right-angle-adapter-pe9623-p.aspx>

The information contained in this document is accurate to the best of our knowledge and representative of the part described herein. It may be necessary to make modifications to the part and/or the documentation of the part, in order to implement improvements. Pasternack reserves the right to make such changes as required. Unless otherwise stated, all specifications are nominal. Pasternack does not make any representation or warranty regarding the suitability of the part described herein for any particular purpose, and Pasternack does not assume any liability arising out of the use of any part or documentation.

# PE9623 CAD Drawing

75 Ohm TNC Male to TNC Female Right Angle Adapter



NOTES:  
 1. UNLESS OTHERWISE SPECIFIED ALL DIMENSIONS ARE NOMINAL.  
 2. ALL SPECIFICATIONS ARE SUBJECT TO CHANGE WITHOUT NOTICE AT ANY TIME.  
 3. DIMENSIONS ARE IN INCHES (mm).

DWG TITLE  
**PE9623**

**PASTERNAK ENTERPRISES, INC.**  
 P.O. BOX 16759, IRVINE, CA 92623  
 PHONE (949) 261-1920 FAX (949) 261-7451  
 WEB ADDRESS: [www.pasternack.com](http://www.pasternack.com)  
 E-MAIL ADDRESS: [sales@pasternack.com](mailto:sales@pasternack.com)  
**COAXIAL & FIBER OPTICS**



REV. -	FSCM NO. 53919	CAD FILE 100302	SCALE N/A	SIZE A	127
--------	----------------	-----------------	-----------	--------	-----