



2.92mm Female to 2.92mm Female Right Angle Adapter

RF Adapters Technical Data Sheet

PE9646

Configuration

- 2.92mm Female Connector 1
- 2.92mm Female Connector 2
- 50 Ohms
- Right Angle Body Geometry

Features

- Max VSWR of 1.3:1 up to 40 GHz
- Gold over Nickel Plated Beryllium Copper Contact
- Contact Plating per MIL-G-45204

Applications

- General Purpose Test

Description

Pasternack's PE9646 2.92mm female to 2.92mm female right angle adapter is part of our full line of RF components available for same-day shipping. The 2.92mm connector mates mechanically with commercially available SMA and 3.5mm connectors. Our 2.92mm to 2.92mm adapter has a female to female gender configuration. PE9646 2.92mm female to 2.92mm female adapter operates to 40 GHz. The Pasternack RF adapter provides good VSWR of 1.3:1 maximum. This low profile right angle 2.92mm adapter allows for easier connections in tight spaces.

RF adapters are often used to enable connections between two connector types that would otherwise not mate. Certain adapter configurations can also be used to protect connectors on expensive equipment where the number of connect/disconnect cycles is high. An RF, microwave or millimeter wave adapter is connected to the equipment, and the commonly changed connection is made with the adapter which can be easily replaced when it wears out after high usage; such adapters are referred to as connector savers. Pasternack also offers bulkhead, panel mount, hermetically sealed, reverse polarity, and isolated ground adapter varieties to serve all of your RF, microwave and millimeter wave needs.

Electrical Specifications

| Description | Minimum | Typical | Maximum | Units |
|-----------------|---------|---------|---------|-------|
| Frequency Range | DC | | 40 | GHz |
| VSWR | | | 1.3:1 | |
| Insertion Loss | | | 0.32 | dB |

Electrical Specification Notes:
Values at 25°C, sea level.
Insertion Loss (dB) = 0.05*sqrt(fGHz).

Mechanical Specifications

| Size | |
|--------|---------------------|
| Length | 0.585 in [14.86 mm] |
| Width | 0.25 in [6.35 mm] |
| Height | 0.585 in [14.86 mm] |
| Weight | 0.006 lbs [2.72 g] |

Click the following link (or enter part number in "SEARCH" on website) to obtain additional part information including price, inventory and certifications: [2.92mm Female to 2.92mm Female Right Angle Adapter PE9646](#)



2.92mm Female to 2.92mm Female Right Angle Adapter

RF Adapters Technical Data Sheet

PE9646

| Description | Connector 1 | Connector 2 |
|---------------|---------------|---------------|
| Type | 2.92mm Female | 2.92mm Female |
| Polarity | Standard | Standard |
| Mating Cycles | 500 | 500 |

Material Specifications

| Description | Connector 1 | | Connector 2 | |
|-----------------|----------------------------|---------------------------------|----------------------------|---------------------------------|
| | Material | Plating | Material | Plating |
| Type | 2.92mm Female | | 2.92mm Female | |
| Contact | Beryllium Copper | Gold over Nickel MIL-G-45204 | Beryllium Copper | Gold over Nickel MIL-G-45204 |
| Insulation | Oxide-Noryl | | Oxide-Noryl | |
| Outer Conductor | Passivated Stainless Steel | ASTM A380 | Passivated Stainless Steel | ASTM A380 |

Environmental Specifications

Temperature

Operating Range -55 to +100 deg C

Vibration
Salt Spray

MIL-STD-202, Method 204, Cond. D (20G's)
MIL-STD-202, Method 101, Cond. B, 5% salt solution

Compliance Certifications (see [product page](#) for current document)

Plotted and Other Data

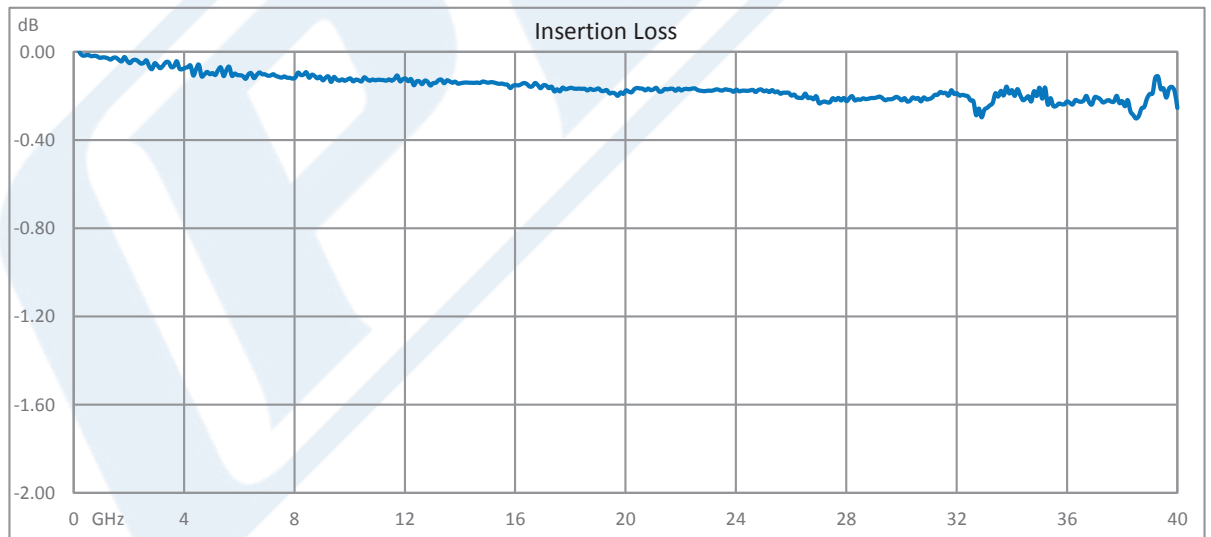
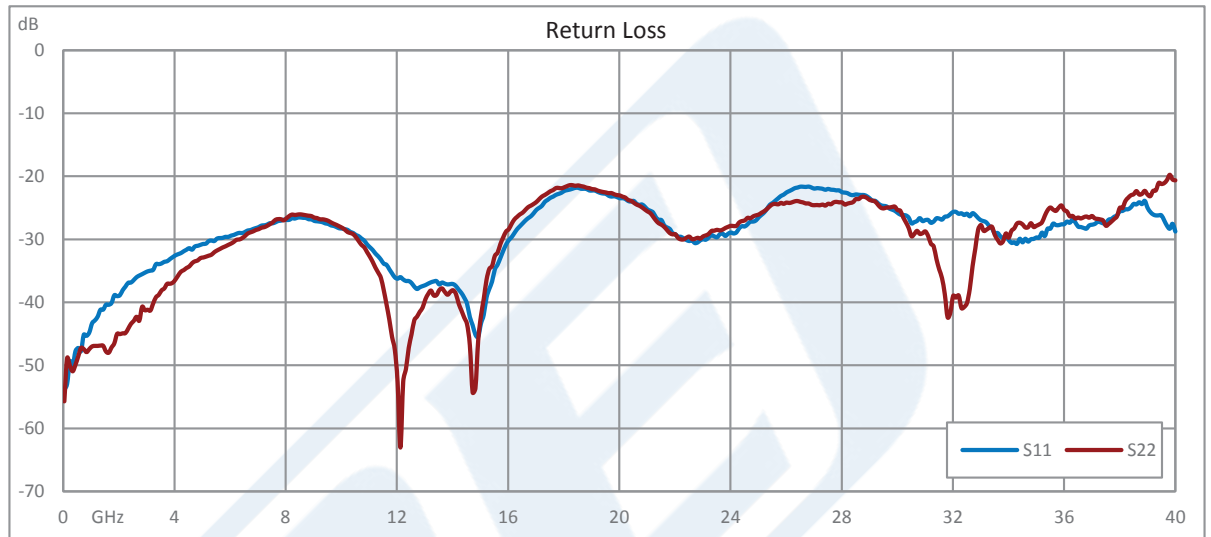
Notes:

Click the following link (or enter part number in "SEARCH" on website) to obtain additional part information including price, inventory and certifications: [2.92mm Female to 2.92mm Female Right Angle Adapter PE9646](#)



2.92mm Female to 2.92mm Female Right Angle Adapter

Typical Performance Data



Click the following link (or enter part number in "SEARCH" on website) to obtain additional part information including price, inventory and certifications: [2.92mm Female to 2.92mm Female Right Angle Adapter PE9646](#)



2.92mm Female to 2.92mm Female Right Angle Adapter

RF Adapters Technical Data Sheet

PE9646

2.92mm Female to 2.92mm Female Right Angle Adapter from Pasternack Enterprises has same day shipment for domestic and International orders. Our RF, microwave and millimeter wave products maintain a 99% availability and are part of the broadest selection in the industry.

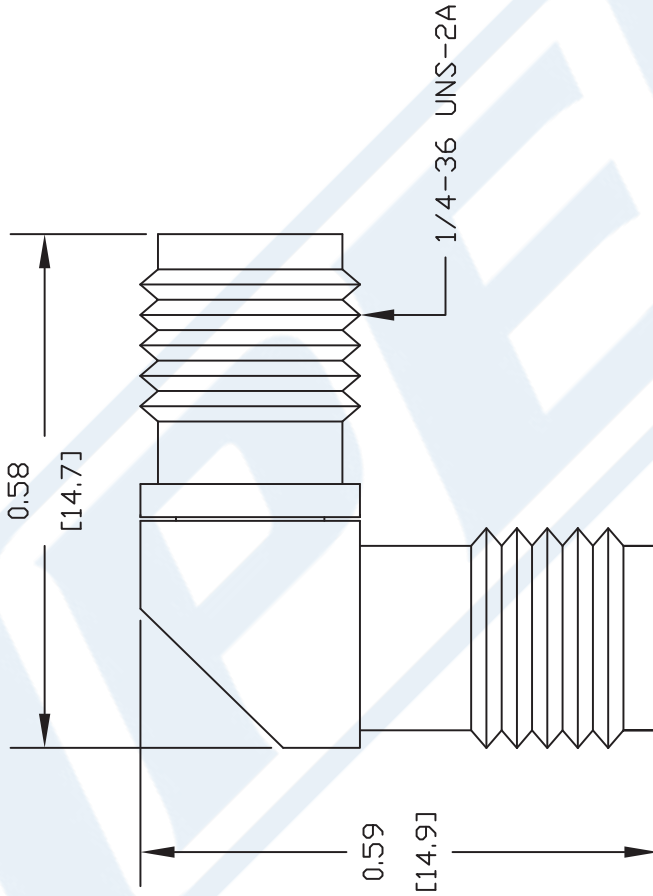
Click the following link (or enter part number in "SEARCH" on website) to obtain additional part information including price, inventory and certifications: [2.92mm Female to 2.92mm Female Right Angle Adapter PE9646](https://www.pasternack.com/2.92mm-female-2.92mm-female-right-angle-adapter-pe9646-p.aspx)

URL: <https://www.pasternack.com/2.92mm-female-2.92mm-female-right-angle-adapter-pe9646-p.aspx>

The information contained in this document is accurate to the best of our knowledge and representative of the part described herein. It may be necessary to make modifications to the part and/or the documentation of the part, in order to implement improvements. Pasternack reserves the right to make such changes as required. Unless otherwise stated, all specifications are nominal. Pasternack does not make any representation or warranty regarding the suitability of the part described herein for any particular purpose, and Pasternack does not assume any liability arising out of the use of any part or documentation.

PE9646 CAD Drawing

2.92mm Female to 2.92mm Female Right Angle Adapter



NOTES:
1. UNLESS OTHERWISE SPECIFIED ALL DIMENSIONS ARE NOMINAL.
2. ALL SPECIFICATIONS ARE SUBJECT TO CHANGE WITHOUT NOTICE AT ANY TIME.
3. DIMENSIONS ARE IN INCHES (mm).

DWG TITLE
PE9646

| | | | | | |
|--------|----------------|-----------------|-----------|--------|-----|
| REV. - | FSCM NO. 53919 | CAD FILE 010903 | SCALE N/A | SIZE A | 127 |
|--------|----------------|-----------------|-----------|--------|-----|

PASTERNAK ENTERPRISES, INC.
P.O. BOX 16759, IRVINE, CA 92623
PHONE (949) 261-1920 FAX (949) 261-7451
WEB ADDRESS: www.pasternack.com
E-MAIL ADDRESS: sales@pasternack.com
COAXIAL & FIBER OPTICS

