



## 4 Hole Flange 2.92mm Female to 2.92mm Female Adapter

### RF Adapters Technical Data Sheet

PE9648

#### Configuration

- 2.92mm Female Connector 1
- 2.92mm Female Connector 2
- 50 Ohms
- Straight Body Geometry
- 4 Hole Flange Mount Method

#### Features

- Max VSWR of 1.35:1 up to 40 GHz
- 2.92mm Interface compliant with MIL-STD-348
- Gold Plated Beryllium Copper Contact

#### Applications

- General Purpose Test
- Rack Mounted Equipment

#### Description

Pasternack's PE9648 4 hole flange 2.92mm female to 2.92mm female adapter is part of our full line of RF components available for same-day shipping. The 2.92mm connector mates mechanically with commercially available SMA and 3.5mm connectors. Our 2.92mm to 2.92mm adapter has a female to female gender configuration. PE9648 2.92mm female to 2.92mm female adapter operates to 40 GHz. The Pasternack RF adapter provides good VSWR of 1.35:1 maximum. This RF 2.92mm 4 hole flange to 2.92mm adapter allows designers to create external connections on their product enclosures, and can be used in a variety of other rack mount and panel mount applications.

RF adapters are often used to enable connections between two connector types that would otherwise not mate. Certain adapter configurations can also be used to protect connectors on expensive equipment where the number of connect/disconnect cycles is high. An RF, microwave or millimeter wave adapter is connected to the equipment, and the commonly changed connection is made with the adapter which can be easily replaced when it wears out after high usage; such adapters are referred to as connector savers. Pasternack also offers bulkhead, panel mount, hermetically sealed, reverse polarity, and isolated ground adapter varieties to serve all of your RF, microwave and millimeter wave needs.

#### Electrical Specifications

Description	Minimum	Typical	Maximum	Units
Frequency Range	DC		40	GHz
VSWR			1.35:1	

#### Performance by Frequency

Description	F1	F2	F3	F4	F5	Units
Frequency Range	DC to 18	18 to 26.5	26.5 to 40			GHz
VSWR, Max	1.15:1	1.25:1	1.35:1			

Click the following link (or enter part number in "SEARCH" on website) to obtain additional part information including price, inventory and certifications: [4 Hole Flange 2.92mm Female to 2.92mm Female Adapter PE9648](#)



## 4 Hole Flange 2.92mm Female to 2.92mm Female Adapter

### RF Adapters Technical Data Sheet

PE9648

#### Mechanical Specifications

**Size**

Length	0.79 in [20.07 mm]
Width	0.5 in [12.7 mm]
Height	0.5 in [12.7 mm]
Weight	0.013 lbs [5.9 g]

Description	Connector 1	Connector 2
Type	2.92mm Female	2.92mm Female
Polarity	Standard	Standard
Interface Specification	MIL-STD-348	MIL-STD-348

#### Material Specifications

Description	Connector 1		Connector 2	
	Material	Plating	Material	Plating
Type	2.92mm Female		2.92mm Female	
Contact	Beryllium Copper	Gold	Beryllium Copper	Gold
Outer Conductor	Passivated Stainless Steel		Passivated Stainless Steel	

#### Environmental Specifications

**Temperature**

Operating Range	-65 to +125 deg C
-----------------	-------------------

**Compliance Certifications** (see [product page](#) for current document)

#### Plotted and Other Data

Notes:

Click the following link (or enter part number in "SEARCH" on website) to obtain additional part information including price, inventory and certifications: [4 Hole Flange 2.92mm Female to 2.92mm Female Adapter PE9648](#)



## 4 Hole Flange 2.92mm Female to 2.92mm Female Adapter

### RF Adapters Technical Data Sheet

PE9648

4 Hole Flange 2.92mm Female to 2.92mm Female Adapter from Pasternack Enterprises has same day shipment for domestic and International orders. Our RF, microwave and millimeter wave products maintain a 99% availability and are part of the broadest selection in the industry.

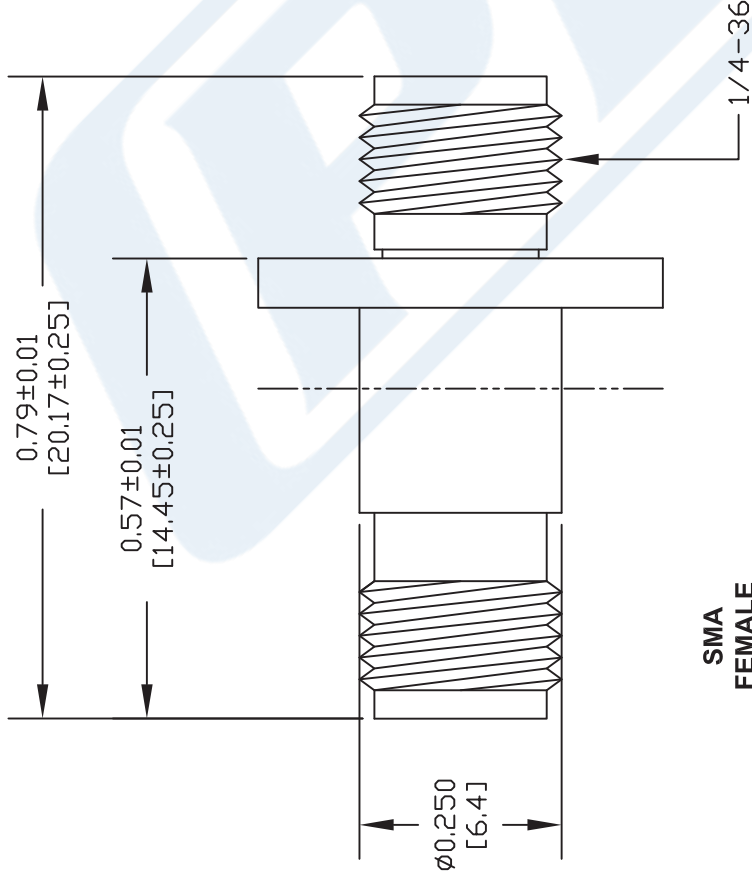
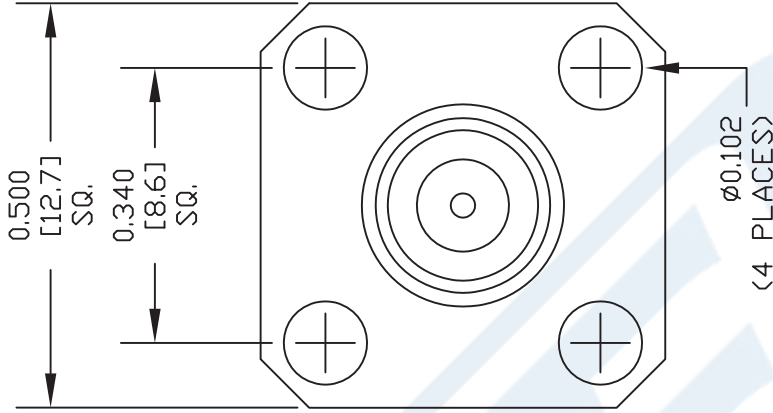
Click the following link (or enter part number in "SEARCH" on website) to obtain additional part information including price, inventory and certifications: [4 Hole Flange 2.92mm Female to 2.92mm Female Adapter PE9648](https://www.pasternack.com/2.92mm-female-2.92mm-female-straight-adapter-pe9648-p.aspx)

URL: <https://www.pasternack.com/2.92mm-female-2.92mm-female-straight-adapter-pe9648-p.aspx>

The information contained in this document is accurate to the best of our knowledge and representative of the part described herein. It may be necessary to make modifications to the part and/or the documentation of the part, in order to implement improvements. Pasternack reserves the right to make such changes as required. Unless otherwise stated, all specifications are nominal. Pasternack does not make any representation or warranty regarding the suitability of the part described herein for any particular purpose, and Pasternack does not assume any liability arising out of the use of any part or documentation.

# PE9648 CAD Drawing

4 Hole Flange 2.92mm Female to 2.92mm Female Adapter



SMA  
FEMALE

NOTES:  
1. UNLESS OTHERWISE SPECIFIED ALL DIMENSIONS ARE NOMINAL.  
2. ALL SPECIFICATIONS ARE SUBJECT TO CHANGE WITHOUT NOTICE AT ANY TIME.  
3. DIMENSIONS ARE IN INCHES (mm).

DWG TITLE

**PE9648**

FSCM NO. 53919

CAD FILE 011416

SCALE N/A

SIZE A

150

**PE PASTERNAK**  
THE ENGINEER'S RF SOURCE

Pasternack Enterprises, Inc.  
P.O. Box 16759 | Irvine | CA | 92623  
Phone: (949) 261-1920 | Fax: (949) 261-7451  
Website: www.pasternack.com | E-Mail: sales@pasternack.com