



## 2.4mm Male to 1.85mm Male Adapter

### RF Adapters Technical Data Sheet

PE9672

#### Configuration

- 2.4mm Male Connector 1
- 1.85mm Male Connector 2
- 50 Ohm
- Straight Body Geometry

#### Features

- Max VSWR of 1.3:1 up to 50 GHz
- Contact plating according to MIL-G-45204
- Gold over Nickel Plated Beryllium Copper Contact
- Max VSWR of 1.3:1 up to 50 GHz
- Gold over Nickel Plated Beryllium Copper Contact
- Contact Plating per MIL-G-45204

#### Applications

- Allows Connection Between Series
- General Purpose Test
- Allows Connection Between Series
- General Purpose Test

#### Description

Pasternack's PE9672 2.4mm male to 1.85mm male adapter is part of our full line of RF components available for same-day shipping. The 2.4mm connector mates mechanically with commercially available 1.85mm (V) connectors. Our 2.4mm to 1.85mm adapter has a male to male gender configuration built of durable stainless steel. PE9672 2.4mm male to 1.85mm male adapter operates to 50 GHz. The Pasternack RF adapter provides good VSWR of 1.3:1 maximum.

RF adapters are often used to enable connections between two connector types that would otherwise not mate. Certain adapter configurations can also be used to protect connectors on expensive equipment where the number of connect/disconnect cycles is high. An RF, microwave or millimeter wave adapter is connected to the equipment, and the commonly changed connection is made with the adapter which can be easily replaced when it wears out after high usage; such adapters are referred to as connector savers. Pasternack also offers bulkhead, panel mount, hermetically sealed, reverse polarity, and isolated ground adapter varieties to serve all of your RF, microwave and millimeter wave needs.

#### Electrical Specifications

Description	Minimum	Typical	Maximum	Units
Frequency Range	DC		50	GHz
VSWR			1.3:1	
Insertion Loss			0.36	dB

Electrical Specification Notes:  
 Values at 25°C, sea level.  
 $VSWR = 1.05 + 0.005*(fGHz)$ .  
 $Insertion Loss (dB) = 0.05*\sqrt{fGHz}$ .

#### Mechanical Specifications

<b>Size</b>	
Length	0.805 in [20.45 mm]
Width	0.312 in [7.92 mm]
Weight	0.013 lbs [5.9 g]

Click the following link (or enter part number in "SEARCH" on website) to obtain additional part information including price, inventory and certifications: [2.4mm Male to 1.85mm Male Adapter PE9672](#)



## 2.4mm Male to 1.85mm Male Adapter

### RF Adapters Technical Data Sheet

PE9672

Description	Connector 1	Connector 2
Type	2.4mm Male	1.85mm Male
Polarity	Standard	Standard
Mating Cycles	500	500
Hex Size	5/16 in.	5/16 in.
Mating Torque	8 to 10 in-lbs [0.90 to 1.13 Nm]	8 to 10 in-lbs 0.90 to 1.13 Nm

#### Material Specifications

Description	Connector 1		Connector 2	
	Material	Plating	Material	Plating
Type	2.4mm Male		1.85mm Male	
Contact	Beryllium Copper	Gold over Nickel MIL-G-45204	Beryllium Copper	Gold over Nickel MIL-G-45204
Insulation	Oxide-Noryl		Oxide-Noryl	
Body	Passivated Stainless Steel	ASTM A380	Passivated Stainless Steel	ASTM A380
Coupling Nut	Passivated Stainless Steel	ASTM A380	Passivated Stainless Steel	ASTM A380

#### Environmental Specifications

##### Temperature

Operating Range -55 to +100 deg C

Vibration  
Salt Spray

MIL-STD-202, Method 204, Cond. D (20G's)  
MIL-STD-202, Method 101, Cond. B, 5% salt solution

**Compliance Certifications** (see [product page](#) for current document)

#### Plotted and Other Data

Notes:

Click the following link (or enter part number in "SEARCH" on website) to obtain additional part information including price, inventory and certifications: [2.4mm Male to 1.85mm Male Adapter PE9672](#)



## 2.4mm Male to 1.85mm Male Adapter

### RF Adapters Technical Data Sheet

PE9672

2.4mm Male to 1.85mm Male Adapter from Pasternack Enterprises has same day shipment for domestic and International orders. Our RF, microwave and millimeter wave products maintain a 99.4% availability and are part of the broadest selection in the industry.

Click the following link (or enter part number in "SEARCH" on website) to obtain additional part information including price, inventory and certifications: [2.4mm Male to 1.85mm Male Adapter PE9672](#)

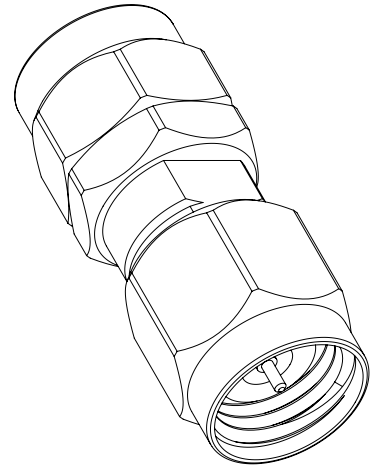
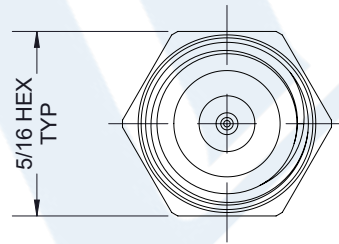
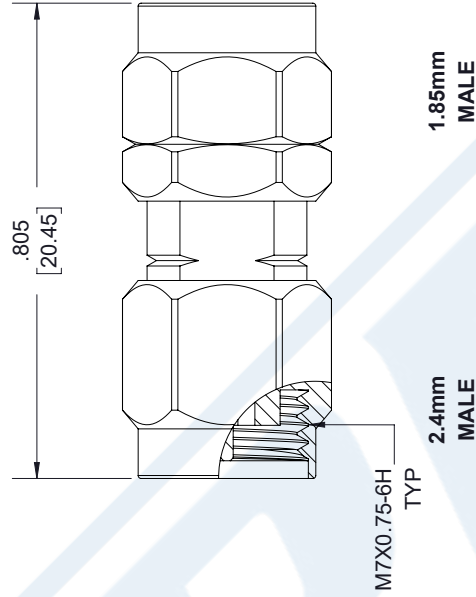
URL: <https://www.pasternack.com/2.4mm-male-1.85mm-male-straight-adapter-pe9672-p.aspx>

The information contained in this document is accurate to the best of our knowledge and representative of the part described herein. It may be necessary to make modifications to the part and/or the documentation of the part, in order to implement improvements. Pasternack reserves the right to make such changes as required. Unless otherwise stated, all specifications are nominal. Pasternack does not make any representation or warranty regarding the suitability of the part described herein for any particular purpose, and Pasternack does not assume any liability arising out of the use of any part or documentation.

# PE9672 CAD Drawing

## 2.4mm Male to 1.85mm Male Adapter

REVISIONS			
REV.	DESCRIPTION	DATE	APPROVED
1.2	PCR PE9672 20190530	07/08/19	S.ELLIS



UNLESS OTHERWISE SPECIFIED LEADING DIMENSIONS ARE INCHES DIMENSIONS IN [ ] ARE MILLIMETERS	
TOLERANCES:	FRACTIONS
X±.2 [5.08]	±.132
.XX±.01 [.25]	ANGLES ± 1°
.XXX±.005 [.13]	
ALL DIMENSIONS SHOWN ARE FOR REFERENCE ONLY.	
THIRD-ANGLE PROJECTION	

**PE PASTERNAK**  
an INFINITO brand

Pasternack Enterprises, Inc.  
P.O. Box 16759, Irvine, CA 92623.  
Phone: 1.949.261.1920 | 1.866.727.8376  
Fax: 1.949.261.7451  
www.pasternack.com | e-mail: sales@pasternack.com

THE INFORMATION AND DESIGN IN THIS DOCUMENT IS THE PROPERTY OF PASTERNAK CORPORATION. ALL RIGHTS RESERVED.

SHEET 1 OF 1  
SCALE N/A

SIZE A CAGE NUMBER 53919 DRAWN BY K.DANG PART NUMBER PE9672 REV 1.2

THESE COMMODITIES, TECHNOLOGY OR SOFTWARE WERE EXPORTED FROM THE UNITED STATES IN ACCORDANCE WITH THE EXPORT ADMINISTRATION REGULATIONS. DIVERSION CONTRARY TO U.S. LAW PROHIBITED.