



75 Ohm PAL Plug to PAL Plug Adapter

TECHNICAL DATA SHEET

PE9680

75 Ohm PAL Plug to PAL Plug Adapter

Configuration

Connector 1	PAL Plug
Impedance 1	75 Ohms
Connector 2	PAL Plug
Impedance 2	75 Ohms
Adapter Design	Standard
Body Style	Straight

Mechanical Specifications

Size

Length, in [mm]	0.945 [24]
Width/Dia., in [mm]	0.47 [11.94]

Connector 1

Type	PAL Plug
Inner Conductor Material and Plating	Nickel
Body Material and Plating	Brass, Nickel
Dielectric Type	Delrin

Connector 2

Type	PAL Plug
Inner Conductor Material and Plating	Nickel
Body Material and Plating	Brass, Nickel
Dielectric Type	Delrin

Compliance Certifications (visit www.Pasternack.com for current document)

Plotted and Other Data

Notes: Values at 25 °C, sea level

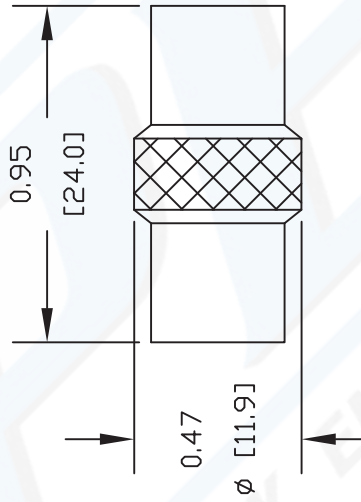
75 Ohm PAL Plug to PAL Plug Adapter from Pasternack Enterprises has same day shipment for domestic and International orders. Our RF, microwave and fiber optic products maintain a 99% availability and are part of the broadest selection in the industry.

Click the following link (or enter part number in "SEARCH" on website) to obtain additional part information including price, inventory and certifications: [75 Ohm PAL Plug to PAL Plug Adapter PE9680](http://www.pasternack.com/pal-plug-pal-plug-straight-adapter-pe9680-p.aspx)

URL: <http://www.pasternack.com/pal-plug-pal-plug-straight-adapter-pe9680-p.aspx>

The information contained in this document is accurate to the best of our knowledge and representative of the part described herein. It may be necessary to make modifications to the part and/or the documentation of the part, in order to implement improvements. Pasternack reserves the right to make such changes as required. Unless otherwise stated, all specifications are nominal.

PE9680 CAD Drawing
75 Ohm PAL Plug to PAL Plug Adapter



NOTES:
 1. UNLESS OTHERWISE SPECIFIED ALL DIMENSIONS ARE NOMINAL.
 2. ALL SPECIFICATIONS ARE SUBJECT TO CHANGE WITHOUT NOTICE AT ANY TIME.
 3. DIMENSIONS ARE IN INCHES [mm].

DWG TITLE
PE9680

PASTERNAK ENTERPRISES, INC.
 P O BOX 16759, IRVINE, CA 92623
 PHONE (949) 261-1920 FAX (949) 261-7451
 WEB ADDRESS: www.pasternack.com
 E-MAIL ADDRESS: sales@pasternack.com
COAXIAL & FIBER OPTICS



REV. -	FSCM NO. 53919	CAD FILE 022404	SCALE N/A	SIZE A	127
--------	----------------	-----------------	-----------	--------	-----