



QD SSMA Male to SSMA Female Adapter

RF Adapters Technical Data Sheet

PE9685

Configuration

- QD SSMA Male Connector 1
- SSMA Female Connector 2
- 50 Ohms
- Straight Body Geometry

Features

- SSMA interface compliant with MIL-STD-348
- Epoxy captivation
- Contact plating according to MIL-G-45204
- Gold Plated Contact

Applications

- General Purpose Test

Description

Pasternack's PE9685 QD SSMA male to SSMA female adapter is part of our full line of RF components available for same-day shipping. Our SSMA to SSMA adapter has a male to female gender configuration.

RF adapters are often used to enable connections between two connector types that would otherwise not mate. Certain adapter configurations can also be used to protect connectors on expensive equipment where the number of connect/disconnect cycles is high. An RF, microwave or millimeter wave adapter is connected to the equipment, and the commonly changed connection is made with the adapter which can be easily replaced when it wears out after high usage; such adapters are referred to as connector savers. Pasternack also offers bulkhead, panel mount, hermetically sealed, reverse polarity, and isolated ground adapter varieties to serve all of your RF, microwave and millimeter wave needs.

Mechanical Specifications

Size

Length	1.11 in [28.19 mm]
Width	0.438 in [11.13 mm]
Weight	0.02 lbs [9.07 g]

Description	Connector 1	Connector 2
Type	SSMA Male	SSMA Female
Polarity	Standard	Standard
Interface Specification	MIL-STD-348	MIL-STD-348
Contact Captivation Method	Epoxy	Epoxy

Click the following link (or enter part number in "SEARCH" on website) to obtain additional part information including price, inventory and certifications: [QD SSMA Male to SSMA Female Adapter PE9685](#)



QD SSMA Male to SSMA Female Adapter

RF Adapters Technical Data Sheet

PE9685

Material Specifications

Description	Connector 1		Connector 2	
	Material	Plating	Material	Plating
Type	QD SSMA Male		SSMA Female	
Contact		Gold MIL-G-45204		Gold MIL-G-45204
Insulation	PTFE		PTFE	
Outer Conductor			Beryllium Copper	Nickel QQ-N-290
Body	Beryllium Copper	Nickel QQ-N-290		
Coupling Nut	Beryllium Copper	Nickel QQ-N-290		

Environmental Specifications

Temperature

Operating Range -65 to +165 deg C

Compliance Certifications (see [product page](#) for current document)

Plotted and Other Data

Notes:

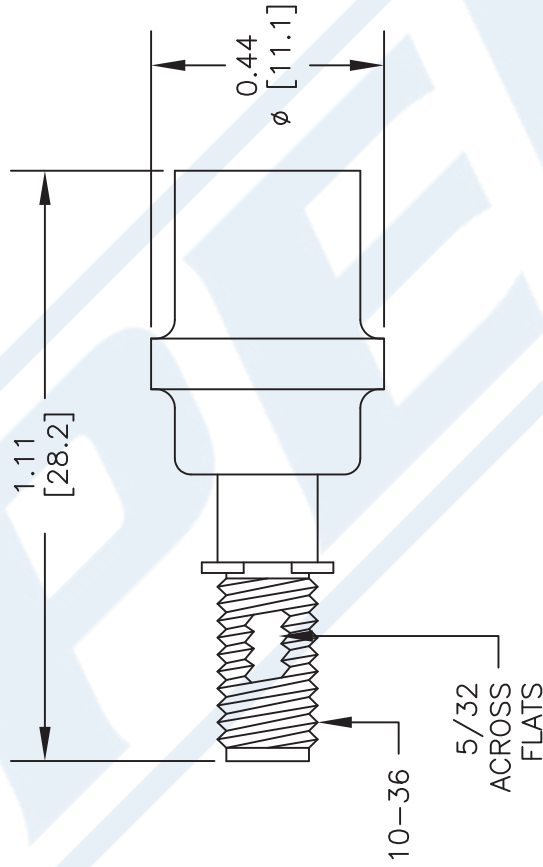
QD SSMA Male to SSMA Female Adapter from Pasternack Enterprises has same day shipment for domestic and International orders. Our RF, microwave and millimeter wave products maintain a 99% availability and are part of the broadest selection in the industry.

Click the following link (or enter part number in "SEARCH" on website) to obtain additional part information including price, inventory and certifications: [QD SSMA Male to SSMA Female Adapter PE9685](#)

URL: <https://www.pasternack.com/ssma-male-ssma-female-straight-adapter-pe9685-p.aspx>

The information contained in this document is accurate to the best of our knowledge and representative of the part described herein. It may be necessary to make modifications to the part and/or the documentation of the part, in order to implement improvements. Pasternack reserves the right to make such changes as required. Unless otherwise stated, all specifications are nominal. Pasternack does not make any representation or warranty regarding the suitability of the part described herein for any particular purpose, and Pasternack does not assume any liability arising out of the use of any part or documentation.

PE9685 CAD Drawing
 QD SSMA Male to SSMA Female Adapter



STANDARD TOLERANCES

.X ±0.2
 .XX ±0.1
 .XXX ±0.05

*STANDARD TOLERANCES APPLY ONLY TO DIMENSIONS IN INCHES



Pasternack Enterprises, Inc.
 P.O. Box 16759 | Irvine | CA | 92623
Phone: (949) 261-1920 | **Fax:** (949) 261-7451
Website: www.pasternack.com | **E-Mail:** sales@pasternack.com

DWG TITLE

PE9685

FSCM NO. 53919

CAD FILE 091214

SCALE N/A

SIZE A

150

NOTES:
 1. UNLESS OTHERWISE SPECIFIED ALL DIMENSIONS ARE NOMINAL.
 2. ALL SPECIFICATIONS ARE SUBJECT TO CHANGE WITHOUT NOTICE AT ANY TIME.
 3. DIMENSIONS ARE IN INCHES [mm].