



TNC Male to FME Plug Adapter

TECHNICAL DATA SHEET

PE9699

**TNC Male to FME Plug Adapter**

**Configuration**

Connector 1	TNC Male
Impedance 1	50 Ohms
Connector 2	FME Plug
Impedance 2	50 Ohms
Adapter Design	Standard
Body Style	Straight

**Mechanical Specifications**

**Size**

Length, in [mm]	0.977 [24.82]
Width/Dia., in [mm]	0.57 [14.48]

**Connector 1**

Type	TNC Male
Inner Conductor Material and Plating	Gold
Coupling Nut Material and Plating	Brass, Nickel
Body Material and Plating	Brass, Nickel
Dielectric Type	PTFE

**Connector 2**

Type	FME Plug
Inner Conductor Material and Plating	Gold
Coupling Nut Material and Plating	Brass, Nickel
Body Material and Plating	Brass, Nickel
Dielectric Type	PTFE

**Compliance Certifications** (visit [www.Pasternack.com](http://www.Pasternack.com) for current document)

RoHS Compliant	Yes
----------------	-----

Click the following link (or enter part number in "SEARCH" on website) to obtain additional part information including price, inventory and certifications: [TNC Male to FME Plug Adapter PE9699](#)

The information contained in this document is accurate to the best of our knowledge and representative of the part described herein. It may be necessary to make modifications to the part and/or the documentation of the part, in order to implement improvements. Pasternack reserves the right to make such changes as required. Unless otherwise stated, all specifications are nominal.



## TNC Male to FME Plug Adapter

### TECHNICAL DATA SHEET

PE9699

#### Plotted and Other Data

Notes:

Values at 25 °C, sea level

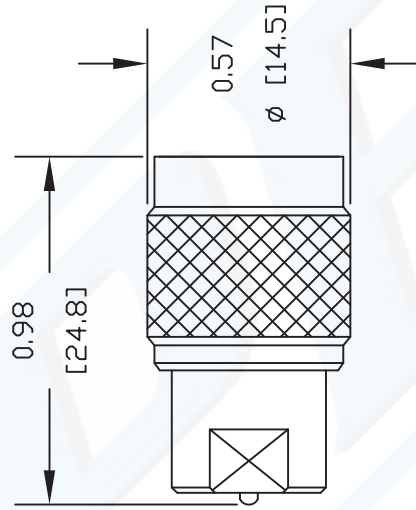
TNC Male to FME Plug Adapter from Pasternack Enterprises has same day shipment for domestic and International orders. Our RF, microwave and fiber optic products maintain a 99% availability and are part of the broadest selection in the industry.

Click the following link (or enter part number in "SEARCH" on website) to obtain additional part information including price, inventory and certifications: [TNC Male to FME Plug Adapter PE9699](#)

URL: <http://www.pasternack.com/tnc-male-fme-plug-straight-adapter-pe9699-p.aspx>

The information contained in this document is accurate to the best of our knowledge and representative of the part described herein. It may be necessary to make modifications to the part and/or the documentation of the part, in order to implement improvements. Pasternack reserves the right to make such changes as required. Unless otherwise stated, all specifications are nominal.

**PE9699 CAD Drawing**  
TNC Male to FME Plug Adapter



NOTES:  
 1. UNLESS OTHERWISE SPECIFIED ALL DIMENSIONS ARE NOMINAL.  
 2. ALL SPECIFICATIONS ARE SUBJECT TO CHANGE WITHOUT NOTICE AT ANY TIME.  
 3. DIMENSIONS ARE IN INCHES [mm].

DWG TITLE  
**PE9699**

**PASTERNAK ENTERPRISES, INC.**  
 P O BOX 16759, IRVINE, CA 92623  
 PHONE (949) 261-1920 FAX (949) 261-7451  
 WEB ADDRESS: [www.pasternack.com](http://www.pasternack.com)  
 E-MAIL ADDRESS: [sales@pasternack.com](mailto:sales@pasternack.com)  
**COAXIAL & FIBER OPTICS**



REV. -	FSCM NO. 53919	CAD FILE 101502	SCALE N/A	SIZE A	127
--------	----------------	-----------------	-----------	--------	-----