



N Female to Reverse Polarity TNC Male Adapter

RF Adapters Technical Data Sheet

PE9731

Configuration

- N Female Connector 1
- TNC Male Reverse Polarity Connector 2
- 50 Ohms
- Straight Body Geometry

Features

- N Interface compliant with MIL-STD-348
- TNC Interface compliant with MIL-STD-348
- Silver Plated Contact
- Contact Plating per QQ-S-365

Applications

- Allows Connection Between Series
- General Purpose Test

Description

Pasternack's PE9731 type N female to reverse polarity TNC male adapter is part of our full line of RF components available for same-day shipping. Our type N to reverse polarity TNC adapter has a female to male gender configuration.

RF adapters are often used to enable connections between two connector types that would otherwise not mate. Certain adapter configurations can also be used to protect connectors on expensive equipment where the number of connect/disconnect cycles is high. An RF, microwave or millimeter wave adapter is connected to the equipment, and the commonly changed connection is made with the adapter which can be easily replaced when it wears out after high usage; such adapters are referred to as connector savers. Pasternack also offers bulkhead, panel mount, hermetically sealed, reverse polarity, and isolated ground adapter varieties to serve all of your RF, microwave and millimeter wave needs.

Mechanical Specifications

Size

Length	1.5 in [38.1 mm]
Width	0.635 in [16.13 mm]
Weight	0.089 lbs [40.37 g]

Description	Connector 1	Connector 2
Type	N Female	TNC Male
Polarity	Standard	Reverse Polarity
Interface Specification	MIL-STD-348	MIL-STD-348

Click the following link (or enter part number in "SEARCH" on website) to obtain additional part information including price, inventory and certifications: [N Female to Reverse Polarity TNC Male Adapter PE9731](#)



N Female to Reverse Polarity TNC Male Adapter

RF Adapters Technical Data Sheet

PE9731

Material Specifications

Description	Connector 1		Connector 2	
	Material	Plating	Material	Plating
Type	N Female		TNC Male Reverse Polarity	
Contact		Silver QQ-S-365		Silver QQ-S-365
Insulation	PTFE		PTFE	
Outer Conductor	Brass	Nickel QQ-N-290		
Body			Brass	Nickel QQ-N-290
Coupling Nut			Brass	Nickel QQ-N-290

Environmental Specifications

Temperature

Operating Range -65 to +165 deg C

Compliance Certifications (see [product page](#) for current document)

Plotted and Other Data

Notes:

N Female to Reverse Polarity TNC Male Adapter from Pasternack Enterprises has same day shipment for domestic and International orders. Our RF, microwave and millimeter wave products maintain a 99% availability and are part of the broadest selection in the industry.

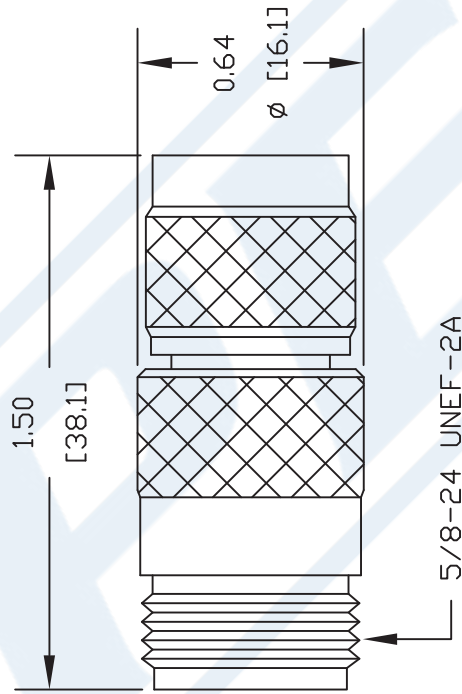
Click the following link (or enter part number in "SEARCH" on website) to obtain additional part information including price, inventory and certifications: [N Female to Reverse Polarity TNC Male Adapter PE9731](#)

URL: <https://www.pasternack.com/n-female-tnc-male-straight-adapter-pe9731-p.aspx>

The information contained in this document is accurate to the best of our knowledge and representative of the part described herein. It may be necessary to make modifications to the part and/or the documentation of the part, in order to implement improvements. Pasternack reserves the right to make such changes as required. Unless otherwise stated, all specifications are nominal. Pasternack does not make any representation or warranty regarding the suitability of the part described herein for any particular purpose, and Pasternack does not assume any liability arising out of the use of any part or documentation.

PE9731 CAD Drawing

N Female to Reverse Polarity TNC Male Adapter



NOTES:
 1. UNLESS OTHERWISE SPECIFIED ALL DIMENSIONS ARE NOMINAL.
 2. ALL SPECIFICATIONS ARE SUBJECT TO CHANGE WITHOUT NOTICE AT ANY TIME.
 3. DIMENSIONS ARE IN INCHES [mm].

DWG TITLE
PE9731

PASTERNAK ENTERPRISES, INC.
 P O BOX 16759, IRVINE, CA 92623
 PHONE (949) 261-1920 FAX (949) 261-7451
 WEB ADDRESS: www.pasternack.com
 E-MAIL ADDRESS: sales@pasternack.com
COAXIAL & FIBER OPTICS



REV. -	FSCM NO. 53919	CAD FILE 121905	SCALE N/A	SIZE A	127
--------	----------------	-----------------	-----------	--------	-----