



## 75 Ohm SMB Plug to 75 Ohm Mini SMB Jack Adapter

### RF Adapters Technical Data Sheet

PE9736

#### Configuration

- SMB Plug Connector 1
- Mini SMB Jack Connector 2
- 75 Ohm
- Straight Body Geometry

#### Features

- 50µ in. minimum contact plating
- Gold Plated Beryllium Copper Contact

#### Applications

- Allows Connection Between Series
- General Purpose Test

#### Description

Pasternack's PE9736 75 ohm SMB plug to Mini SMB jack adapter is part of our full line of RF components available for same-day shipping. Our SMB to Mini SMB adapter has a plug to jack gender configuration. PE9736 SMB plug to Mini SMB jack adapter operates to 2 GHz.

RF adapters are often used to enable connections between two connector types that would otherwise not mate. Certain adapter configurations can also be used to protect connectors on expensive equipment where the number of connect/disconnect cycles is high. An RF, microwave or millimeter wave adapter is connected to the equipment, and the commonly changed connection is made with the adapter which can be easily replaced when it wears out after high usage; such adapters are referred to as connector savers. Pasternack also offers bulkhead, panel mount, hermetically sealed, reverse polarity, and isolated ground adapter varieties to serve all of your RF, microwave and millimeter wave needs.

#### Electrical Specifications

Description	Minimum	Typical	Maximum	Units
Frequency Range	DC		2	GHz
Operating Voltage (AC)			335	Vrms
Dielectric Withstanding Voltage (AC)			750	Vrms
Insulation Resistance	1,000			MOhms

#### Mechanical Specifications

Size	
Length	0.889 in [22.58 mm]
Width	0.37 in [9.4 mm]
Weight	0.0141 lbs [6.4 g]

Click the following link (or enter part number in "SEARCH" on website) to obtain additional part information including price, inventory and certifications: [75 Ohm SMB Plug to 75 Ohm Mini SMB Jack Adapter PE9736](#)



75 Ohm SMB Plug to 75 Ohm Mini SMB Jack Adapter

RF Adapters Technical Data Sheet

PE9736

Description	Connector 1	Connector 2
Type	SMB Plug	Mini SMB Jack
Polarity	Standard	Standard
Mating Cycles	500	500

**Material Specifications**

Description	Connector 1		Connector 2	
	Material	Plating	Material	Plating
Type	SMB Plug		Mini SMB Jack	
Contact	Beryllium Copper	Gold 50µ in. minimum	Beryllium Copper	Gold 50µ in. minimum
Insulation	PTFE		PTFE	
Body	Brass	Nickel 200µ in. minimum	Brass	Nickel 200µ in. minimum

**Environmental Specifications**

**Temperature**

Operating Range -65 to +165 deg C

**Compliance Certifications** (see [product page](#) for current document)

**Plotted and Other Data**

Notes:

Click the following link (or enter part number in "SEARCH" on website) to obtain additional part information including price, inventory and certifications: [75 Ohm SMB Plug to 75 Ohm Mini SMB Jack Adapter PE9736](#)



## 75 Ohm SMB Plug to 75 Ohm Mini SMB Jack Adapter

### RF Adapters Technical Data Sheet

PE9736

75 Ohm SMB Plug to 75 Ohm Mini SMB Jack Adapter from Pasternack Enterprises has same day shipment for domestic and International orders. Our RF, microwave and millimeter wave products maintain a 99.4% availability and are part of the broadest selection in the industry.

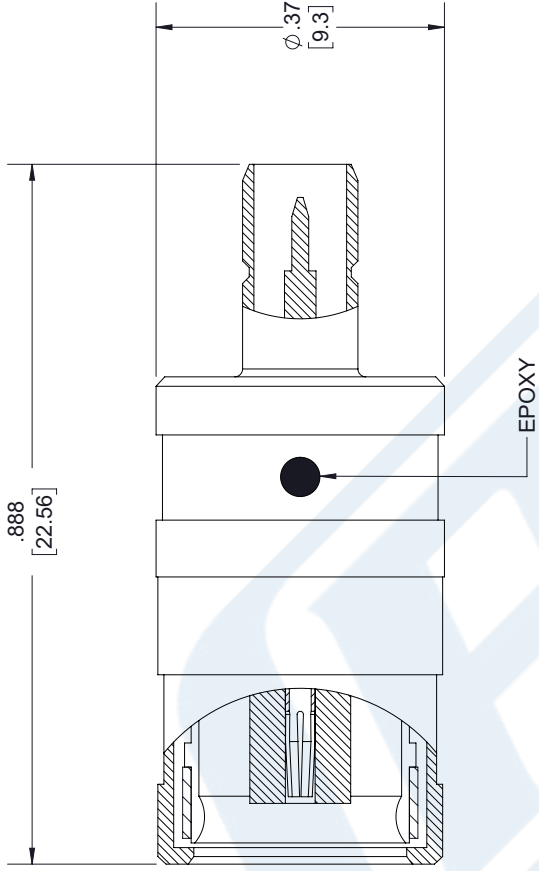
Click the following link (or enter part number in "SEARCH" on website) to obtain additional part information including price, inventory and certifications: [75 Ohm SMB Plug to 75 Ohm Mini SMB Jack Adapter PE9736](#)

URL: <https://www.pasternack.com/smb-plug-mini-smb-jack-straight-adapter-pe9736-p.aspx>

The information contained in this document is accurate to the best of our knowledge and representative of the part described herein. It may be necessary to make modifications to the part and/or the documentation of the part, in order to implement improvements. Pasternack reserves the right to make such changes as required. Unless otherwise stated, all specifications are nominal. Pasternack does not make any representation or warranty regarding the suitability of the part described herein for any particular purpose, and Pasternack does not assume any liability arising out of the use of any part or documentation.

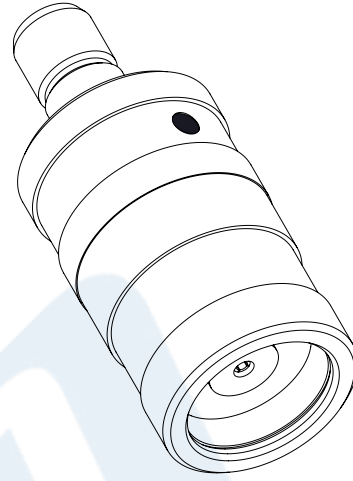
# PE9736 CAD Drawing

75 Ohm SMB Plug to 75 Ohm Mini SMB Jack Adapter



75 Ohm Mini SMP  
JACK

75 Ohm SMP  
PLUG



**STANDARD TOLERANCES**

.X ±0.2  
.XX ±0.01  
.XXX ±0.005

\*STANDARD TOLERANCES APPLY  
ONLY TO DIMENSIONS IN INCHES



Pasternack Enterprises, Inc.  
P.O. Box 16759 | Irvine | CA | 92623  
Phone: (949) 261-1920 | Fax: (949) 261-7451  
Website: [www.pasternack.com](http://www.pasternack.com) | E-Mail: [sales@pasternack.com](mailto:sales@pasternack.com)

DWG TITLE

PE9736

NOTES:  
1. UNLESS OTHERWISE SPECIFIED ALL DIMENSIONS ARE NOMINAL.  
2. ALL SPECIFICATIONS ARE SUBJECT TO CHANGE WITHOUT NOTICE AT ANY TIME.  
3. DIMENSIONS ARE IN INCHES [mm].

CAGE CODE 53919

CAD FILE 05/29/18

SCALE N/A

SIZE A

7361