



## 75 Ohm N Male to F Male Adapter

### RF Adapters Technical Data Sheet

PE9738

#### Configuration

- N Male Connector 1
- F Male Connector 2
- 75 Ohms
- Straight Body Geometry

#### Features

- Max VSWR of 1.3:1 up to 3 GHz

#### Applications

- Allows Connection Between Series
- General Purpose Test

#### Description

Pasternack's PE9738 75 ohm type N male to type F male adapter is part of our full line of RF components available for same-day shipping. Our type N to type F adapter has a male to male gender configuration. PE9738 type N male to type F male adapter operates to 3 GHz. The Pasternack RF adapter provides good VSWR of 1.3:1 maximum.

RF adapters are often used to enable connections between two connector types that would otherwise not mate. Certain adapter configurations can also be used to protect connectors on expensive equipment where the number of connect/disconnect cycles is high. An RF, microwave or millimeter wave adapter is connected to the equipment, and the commonly changed connection is made with the adapter which can be easily replaced when it wears out after high usage; such adapters are referred to as connector savers. Pasternack also offers bulkhead, panel mount, hermetically sealed, reverse polarity, and isolated ground adapter varieties to serve all of your RF, microwave and millimeter wave needs.

#### Electrical Specifications

Description	Minimum	Typical	Maximum	Units
Frequency Range	DC		3	GHz
VSWR			1.3:1	

#### Performance by Frequency

Description	F1	F2	F3	F4	F5	Units
Frequency Range	DC to 2	2 to 3				GHz
VSWR, Max	1.15:1	1.3:1				

#### Mechanical Specifications

<b>Size</b>	
Length	1.675 in [42.55 mm]
Width	0.8 in [20.32 mm]
Weight	0.11 lbs [49.9 g]

Click the following link (or enter part number in "SEARCH" on website) to obtain additional part information including price, inventory and certifications: [75 Ohm N Male to F Male Adapter PE9738](#)



## 75 Ohm N Male to F Male Adapter

### RF Adapters Technical Data Sheet

PE9738

Description	Connector 1	Connector 2
Type	N Male	F Male
Polarity	Standard	Standard
Hex Size		7/16 in.

#### Material Specifications

Description	Connector 1		Connector 2	
	Material	Plating	Material	Plating
Type	N Male		F Male	
Contact	Beryllium Copper	Gold		Nickel
Body	Passivated Stainless Steel		Brass	Nickel

#### Environmental Specifications

##### Temperature

Operating Range -65 to +125 deg C

#### Compliance Certifications (see [product page](#) for current document)

#### Plotted and Other Data

Notes:

75 Ohm N Male to F Male Adapter from Pasternack Enterprises has same day shipment for domestic and International orders. Our RF, microwave and millimeter wave products maintain a 99% availability and are part of the broadest selection in the industry.

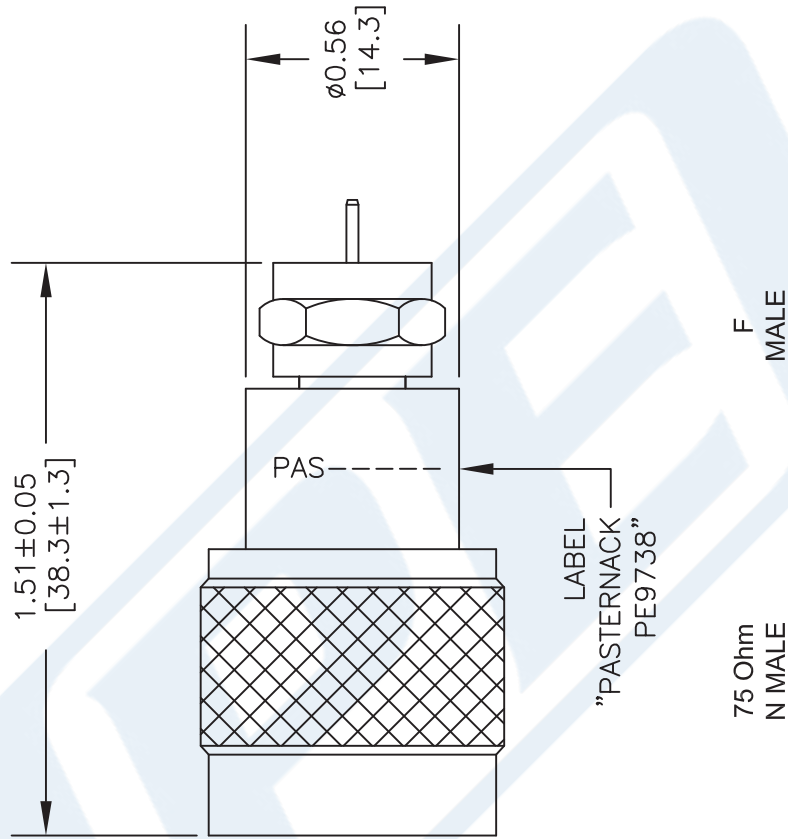
Click the following link (or enter part number in "SEARCH" on website) to obtain additional part information including price, inventory and certifications: [75 Ohm N Male to F Male Adapter PE9738](#)

URL: <https://www.pasternack.com/n-male-f-male-straight-adapter-pe9738-p.aspx>

The information contained in this document is accurate to the best of our knowledge and representative of the part described herein. It may be necessary to make modifications to the part and/or the documentation of the part, in order to implement improvements. Pasternack reserves the right to make such changes as required. Unless otherwise stated, all specifications are nominal. Pasternack does not make any representation or warranty regarding the suitability of the part described herein for any particular purpose, and Pasternack does not assume any liability arising out of the use of any part or documentation.

# PE9738 CAD Drawing

## 75 Ohm N Male to F Male Adapter



### STANDARD TOLERANCES

.X ±0.2  
.XX ±0.1  
.XXX ±0.05

\*STANDARD TOLERANCES APPLY  
ONLY TO DIMENSIONS IN INCHES



Pasternack Enterprises, Inc.  
P.O. Box 16759 | Irvine | CA | 92623  
Phone: (949) 261-1920 | Fax: (949) 261-7451  
Website: www.pasternack.com | E-Mail: sales@pasternack.com

DWG TITLE

**PE9738**

NOTES:  
1. UNLESS OTHERWISE SPECIFIED ALL DIMENSIONS ARE NOMINAL.  
2. ALL SPECIFICATIONS ARE SUBJECT TO CHANGE WITHOUT NOTICE AT ANY TIME.  
3. DIMENSIONS ARE IN INCHES [mm].

FSCM NO. 53919

CAD FILE 090116

SCALE N/A

SIZE A

41742