



## 75 Ohm F Male to BNC Male Adapter

### RF Adapters Technical Data Sheet

PE9742

#### Configuration

- F Male Connector 1
- BNC Male Connector 2
- 75 Ohms
- Straight Body Geometry

#### Features

- Max VSWR of 1.3:1 up to 3 GHz
- Gold Plated Contact

#### Applications

- Allows Connection Between Series
- General Purpose Test

#### Description

Pasternack's PE9742 75 ohm type F male to BNC male adapter is part of our full line of RF components available for same-day shipping. Our type F to BNC adapter has a male to male gender configuration. PE9742 type F male to BNC male adapter operates to 3 GHz. The Pasternack RF adapter provides good VSWR of 1.3:1 maximum.

RF adapters are often used to enable connections between two connector types that would otherwise not mate. Certain adapter configurations can also be used to protect connectors on expensive equipment where the number of connect/disconnect cycles is high. An RF, microwave or millimeter wave adapter is connected to the equipment, and the commonly changed connection is made with the adapter which can be easily replaced when it wears out after high usage; such adapters are referred to as connector savers. Pasternack also offers bulkhead, panel mount, hermetically sealed, reverse polarity, and isolated ground adapter varieties to serve all of your RF, microwave and millimeter wave needs.

#### Electrical Specifications

Description	Minimum	Typical	Maximum	Units
Frequency Range	DC		3	GHz
VSWR			1.3:1	

#### Mechanical Specifications

Size	
Length	1.44 in [36.58 mm]
Width	0.57 in [14.48 mm]
Weight	0.055 lbs [24.95 g]

Description	Connector 1	Connector 2
Type	F Male	BNC Male
Polarity	Standard	Standard

Click the following link (or enter part number in "SEARCH" on website) to obtain additional part information including price, inventory and certifications: [75 Ohm F Male to BNC Male Adapter PE9742](#)



## 75 Ohm F Male to BNC Male Adapter

### RF Adapters Technical Data Sheet

PE9742

#### Material Specifications

Description	Connector 1		Connector 2	
	Material	Plating	Material	Plating
Type	F Male		BNC Male	
Contact		Gold		Gold
Body	Brass	Nickel	Brass	Nickel

#### Environmental Specifications

##### Temperature

Operating Range -65 to +125 deg C

**Compliance Certifications** (see [product page](#) for current document)

#### Plotted and Other Data

Notes:

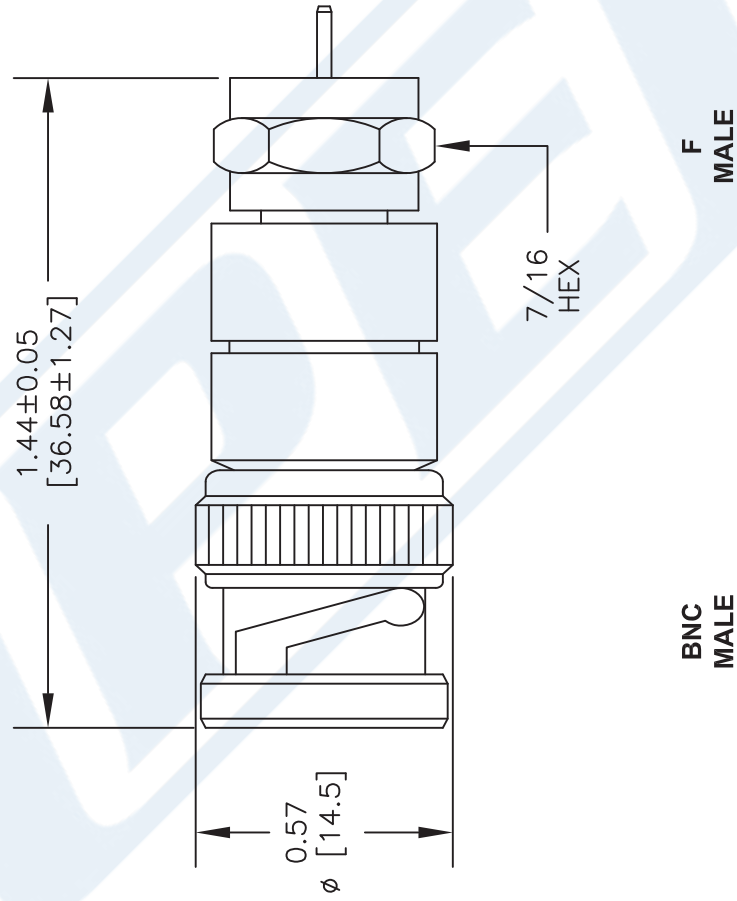
75 Ohm F Male to BNC Male Adapter from Pasternack Enterprises has same day shipment for domestic and International orders. Our RF, microwave and millimeter wave products maintain a 99% availability and are part of the broadest selection in the industry.

Click the following link (or enter part number in "SEARCH" on website) to obtain additional part information including price, inventory and certifications: [75 Ohm F Male to BNC Male Adapter PE9742](#)

URL: <https://www.pasternack.com/f-male-bnc-male-straight-adapter-pe9742-p.aspx>

The information contained in this document is accurate to the best of our knowledge and representative of the part described herein. It may be necessary to make modifications to the part and/or the documentation of the part, in order to implement improvements. Pasternack reserves the right to make such changes as required. Unless otherwise stated, all specifications are nominal. Pasternack does not make any representation or warranty regarding the suitability of the part described herein for any particular purpose, and Pasternack does not assume any liability arising out of the use of any part or documentation.

**PE9742 CAD Drawing**  
75 Ohm F Male to BNC Male Adapter



NOTES:  
 1. UNLESS OTHERWISE SPECIFIED ALL DIMENSIONS ARE NOMINAL.  
 2. ALL SPECIFICATIONS ARE SUBJECT TO CHANGE WITHOUT NOTICE AT ANY TIME.  
 3. DIMENSIONS ARE IN INCHES [mm].

DWG TITLE  
**PE9742**

FSCM NO. 53919

CAD FILE 020316

SCALE N/A

SIZE A

3045

**PE PASTERNAK**  
 THE ENGINEER'S RF SOURCE  
 Pasternack Enterprises, Inc.  
 P.O. Box 16759 | Irvine | CA | 92623  
 Phone: (949) 261-1920 | Fax: (949) 261-7451  
 Website: www.pasternack.com | E-Mail: sales@pasternack.com