



SHV Plug to SHV Jack Adapter

RF Adapters Technical Data Sheet

PE9749

Configuration

- SHV Plug Connector 1
- SHV Jack Connector 2
- 50 Ohm
- Straight Body Geometry

Features

- SHV interface compliant with MIL-STD-348A
- Contact plating according to QQ-S-365
- Silver Plated Beryllium Copper Contact
- SHV Interface compliant with MIL-STD-348
- Silver Plated Contact
- Contact Plating per QQ-S-365

Applications

- Connector Saver
- General Purpose Test
- Connector Saver
- General Purpose Test

Description

Pasternack's PE9749 SHV plug to SHV jack adapter is part of our full line of RF components available for same-day shipping. Our SHV to SHV adapter has a plug to jack gender configuration. PE9749 SHV plug to SHV jack adapter operates to 300 MHz. The PE9749 Pasternack RF adapter can also be used as a connector saver to extend equipment life.

RF adapters are often used to enable connections between two connector types that would otherwise not mate. Certain adapter configurations can also be used to protect connectors on expensive equipment where the number of connect/disconnect cycles is high. An RF, microwave or millimeter wave adapter is connected to the equipment, and the commonly changed connection is made with the adapter which can be easily replaced when it wears out after high usage; such adapters are referred to as connector savers. Pasternack also offers bulkhead, panel mount, hermetically sealed, reverse polarity, and isolated ground adapter varieties to serve all of your RF, microwave and millimeter wave needs.

Electrical Specifications

Description	Minimum	Typical	Maximum	Units
Frequency Range	DC		300	MHz
Impedance		50 Ohm		
Operating Voltage (AC)			3,500	Vrms
Dielectric Withstanding Voltage (DC)			5,000	Vdc
Insulation Resistance	5,000			MOhms

Mechanical Specifications

Size

Length	1.88 in [47.75 mm]
Width	0.56 in [14.22 mm]
Height	0.56 in [14.22 mm]
Weight	0.04 lbs [17.28 g]

Click the following link (or enter part number in "SEARCH" on website) to obtain additional part information including price, inventory and certifications: [SHV Plug to SHV Jack Adapter PE9749](#)



SHV Plug to SHV Jack Adapter

RF Adapters Technical Data Sheet

PE9749

Description	Connector 1	Connector 2
Type	SHV Plug	SHV Jack
Polarity	Standard	Standard
Interface Specification	MIL-STD-348A	MIL-STD-348A
Mating Cycles, Min*	500	500

Material Specifications

Description	Connector 1		Connector 2	
	Material	Plating	Material	Plating
Type	SHV Plug		SHV Jack	
Contact	Beryllium Copper	Silver QQ-S-365	Beryllium Copper	Silver QQ-S-365
Insulation	PTFE		PTFE	
Outer Conductor	Brass	Nickel	Brass	Nickel
Body	Brass	Nickel QQ-N-290	Brass	Nickel QQ-N-290
Gasket	Silicone		Silicone	
Washer	Brass	Nickel	Brass	Nickel
Coupling Nut	Brass	Nickel QQ-N-290	Brass	Nickel QQ-N-290

Environmental Specifications

Temperature

Operating Range

-65 to +165 °C

Compliance Certifications (see [product page](#) for current document)

Plotted and Other Data

Notes:

Click the following link (or enter part number in "SEARCH" on website) to obtain additional part information including price, inventory and certifications: [SHV Plug to SHV Jack Adapter PE9749](#)



SHV Plug to SHV Jack Adapter

RF Adapters Technical Data Sheet

PE9749

SHV Plug to SHV Jack Adapter from Pasternack Enterprises has same day shipment for domestic and International orders. Our RF, microwave and millimeter wave products maintain a 99.4% availability and are part of the broadest selection in the industry.

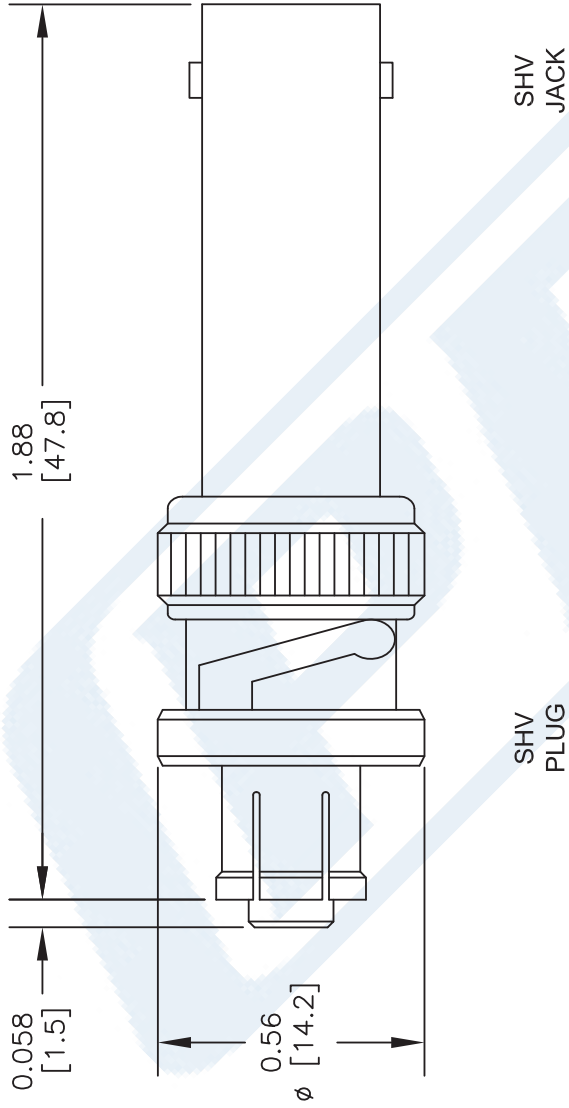
Click the following link (or enter part number in "SEARCH" on website) to obtain additional part information including price, inventory and certifications: [SHV Plug to SHV Jack Adapter PE9749](#)

URL: <https://www.pasternack.com/shv-plug-shv-jack-straight-adapter-pe9749-p.aspx>

The information contained in this document is accurate to the best of our knowledge and representative of the part described herein. It may be necessary to make modifications to the part and/or the documentation of the part, in order to implement improvements. Pasternack reserves the right to make such changes as required. Unless otherwise stated, all specifications are nominal. Pasternack does not make any representation or warranty regarding the suitability of the part described herein for any particular purpose, and Pasternack does not assume any liability arising out of the use of any part or documentation.

PE9749 CAD Drawing

SHV Plug to SHV Jack Adapter



STANDARD TOLERANCES
.X ±0.2
.XX ±0.1
.XXX ±0.05

*STANDARD TOLERANCES APPLY ONLY TO DIMENSIONS IN INCHES

PE PASTERNAK
THE ENGINEER'S RF SOURCE

Pasternack Enterprises, Inc.
P.O. Box 16759 | Irvine | CA | 92623
Phone: (949) 261-1920 | Fax: (949) 261-7451
Website: www.pasternack.com | E-Mail: sales@pasternack.com

DWG TITLE

PE9749

CAGE CODE 53919

NOTES:
1. UNLESS OTHERWISE SPECIFIED ALL DIMENSIONS ARE NOMINAL.
2. ALL SPECIFICATIONS ARE SUBJECT TO CHANGE WITHOUT NOTICE AT ANY TIME.
3. DIMENSIONS ARE IN INCHES [mm].

CAD FILE 110816

SCALE N/A

SIZE A

2233