



75 Ohm F Male to F Male Adapter

RF Adapters Technical Data Sheet

PE9760

Configuration

- F Male Connector 1
- F Male Connector 2
- 75 Ohms
- Straight Body Geometry

Features

- Max VSWR of 1.3:1 up to 3 GHz
- Nickel Plated Contact

Applications

- General Purpose Test

Description

Pasternack's PE9760 75 ohm type F male to type F male adapter is part of our full line of RF components available for same-day shipping. Our type F to type F adapter has a male to male gender configuration. PE9760 type F male to type F male adapter operates to 3 GHz. The Pasternack RF adapter provides good VSWR of 1.3:1 maximum.

RF adapters are often used to enable connections between two connector types that would otherwise not mate. Certain adapter configurations can also be used to protect connectors on expensive equipment where the number of connect/disconnect cycles is high. An RF, microwave or millimeter wave adapter is connected to the equipment, and the commonly changed connection is made with the adapter which can be easily replaced when it wears out after high usage; such adapters are referred to as connector savers. Pasternack also offers bulkhead, panel mount, hermetically sealed, reverse polarity, and isolated ground adapter varieties to serve all of your RF, microwave and millimeter wave needs.

Electrical Specifications

Description	Minimum	Typical	Maximum	Units
Frequency Range	DC		3	GHz
VSWR			1.3:1	

Performance by Frequency

Description	F1	F2	F3	F4	F5	Units
Frequency Range	DC to 1	1 to 2	2 to 3			GHz
VSWR, Max	1.15:1	1.2:1	1.3:1			

Mechanical Specifications

Size	
Length	0.92 in [23.37 mm]
Width	0.438 in [11.13 mm]
Weight	0.034 lbs [15.42 g]

Click the following link (or enter part number in "SEARCH" on website) to obtain additional part information including price, inventory and certifications: [75 Ohm F Male to F Male Adapter PE9760](#)



75 Ohm F Male to F Male Adapter

RF Adapters Technical Data Sheet

PE9760

Description	Connector 1	Connector 2
Type	F Male	F Male
Polarity	Standard	Standard

Material Specifications

Description	Connector 1		Connector 2	
	Material	Plating	Material	Plating
Type	F Male		F Male	
Contact		Nickel		Nickel
Outer Conductor			Brass	Nickel
Body	Brass	Nickel		

Environmental Specifications

Temperature

Operating Range -65 to +125 deg C

Compliance Certifications (see [product page](#) for current document)

Plotted and Other Data

Notes:

75 Ohm F Male to F Male Adapter from Pasternack Enterprises has same day shipment for domestic and International orders. Our RF, microwave and millimeter wave products maintain a 99% availability and are part of the broadest selection in the industry.

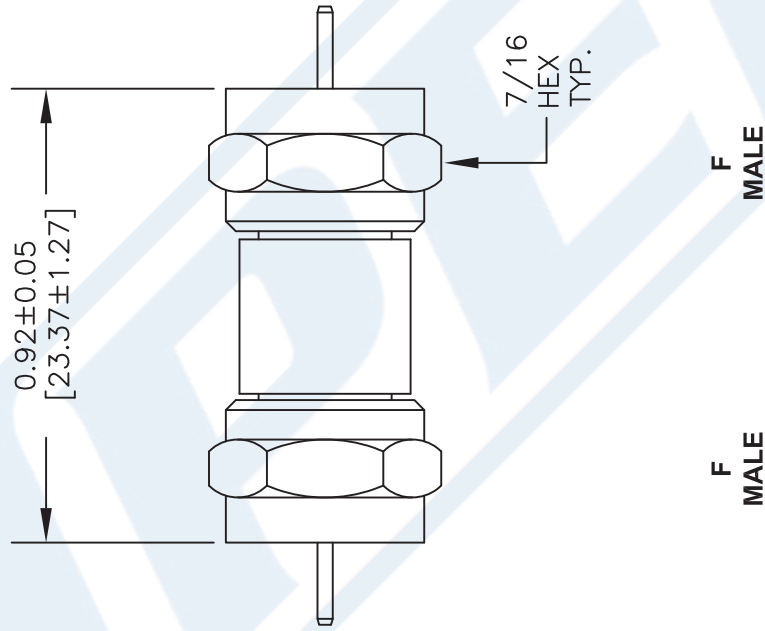
Click the following link (or enter part number in "SEARCH" on website) to obtain additional part information including price, inventory and certifications: [75 Ohm F Male to F Male Adapter PE9760](#)

URL: <https://www.pasternack.com/f-male-f-male-straight-adapter-pe9760-p.aspx>

The information contained in this document is accurate to the best of our knowledge and representative of the part described herein. It may be necessary to make modifications to the part and/or the documentation of the part, in order to implement improvements. Pasternack reserves the right to make such changes as required. Unless otherwise stated, all specifications are nominal. Pasternack does not make any representation or warranty regarding the suitability of the part described herein for any particular purpose, and Pasternack does not assume any liability arising out of the use of any part or documentation.

PE9760 CAD Drawing

75 Ohm F Male to F Male Adapter



- NOTES:
1. UNLESS OTHERWISE SPECIFIED ALL DIMENSIONS ARE NOMINAL.
 2. ALL SPECIFICATIONS ARE SUBJECT TO CHANGE WITHOUT NOTICE AT ANY TIME.
 3. DIMENSIONS ARE IN INCHES [mm].

DWG TITLE
PE9760

FSCM NO. 53919

CAD FILE 020416

SCALE N/A

SIZE A

3045

PE PASTERNAK®
THE ENGINEER'S RF SOURCE
Pasternack Enterprises, Inc.
P.O. Box 16759 | Irvine | CA | 92623
Phone: (949) 261-1920 | Fax: (949) 261-7451
Website: www.pasternack.com | E-Mail: sales@pasternack.com