



## Reverse Polarity N Female to Reverse Polarity N Female Adapter

### RF Adapters Technical Data Sheet

PE9773

#### Configuration

- N Female Reverse Polarity Connector 1
- N Female Reverse Polarity Connector 2
- 50 Ohms
- Straight Body Geometry

#### Features

- Max VSWR of 1.3:1 up to 11 GHz
- N Interface compliant with MIL-STD-348
- Silver Plated Contact
- Contact Plating per QQ-S-365

#### Applications

- General Purpose Test

#### Description

Pasternack's PE9773 reverse polarity type N female to reverse polarity type N female adapter is part of our full line of RF components available for same-day shipping. Our reverse polarity type N to reverse polarity type N adapter has a female to female gender configuration. PE9773 reverse polarity type N female to reverse polarity type N female adapter operates to 11 GHz. The Pasternack RF adapter provides good VSWR of 1.3:1 maximum.

RF adapters are often used to enable connections between two connector types that would otherwise not mate. Certain adapter configurations can also be used to protect connectors on expensive equipment where the number of connect/disconnect cycles is high. An RF, microwave or millimeter wave adapter is connected to the equipment, and the commonly changed connection is made with the adapter which can be easily replaced when it wears out after high usage; such adapters are referred to as connector savers. Pasternack also offers bulkhead, panel mount, hermetically sealed, reverse polarity, and isolated ground adapter varieties to serve all of your RF, microwave and millimeter wave needs.

#### Electrical Specifications

Description	Minimum	Typical	Maximum	Units
Frequency Range	DC		11	GHz
VSWR			1.3:1	

Electrical Specification Notes:  
Values at 25°C, sea level

#### Mechanical Specifications

Size	
Length	1.75 in [44.45 mm]
Width	0.665 in [16.89 mm]
Weight	0.118 lbs [53.52 g]

Click the following link (or enter part number in "SEARCH" on website) to obtain additional part information including price, inventory and certifications: [Reverse Polarity N Female to Reverse Polarity N Female Adapter PE9773](#)



Reverse Polarity N Female to Reverse Polarity N Female Adapter

RF Adapters Technical Data Sheet

PE9773

Description	Connector 1	Connector 2
Type	N Female	N Female
Polarity	Reverse Polarity	Reverse Polarity
Interface Specification	MIL-STD-348	MIL-STD-348

**Material Specifications**

Description	Connector 1		Connector 2	
	Material	Plating	Material	Plating
Type	N Female Reverse Polarity		N Female Reverse Polarity	
Contact		Silver QQ-S-365		Silver QQ-S-365
Insulation	PTFE		PTFE	
Outer Conductor	Brass	Nickel QQ-N-290	Brass	Nickel QQ-N-290

**Environmental Specifications**

**Temperature**

Operating Range -65 to +165 deg C

**Compliance Certifications** (see [product page](#) for current document)

**Plotted and Other Data**

Notes:

Click the following link (or enter part number in "SEARCH" on website) to obtain additional part information including price, inventory and certifications: [Reverse Polarity N Female to Reverse Polarity N Female Adapter PE9773](#)



## Reverse Polarity N Female to Reverse Polarity N Female Adapter

### RF Adapters Technical Data Sheet

PE9773

Reverse Polarity N Female to Reverse Polarity N Female Adapter from Pasternack Enterprises has same day shipment for domestic and International orders. Our RF, microwave and millimeter wave products maintain a 99% availability and are part of the broadest selection in the industry.

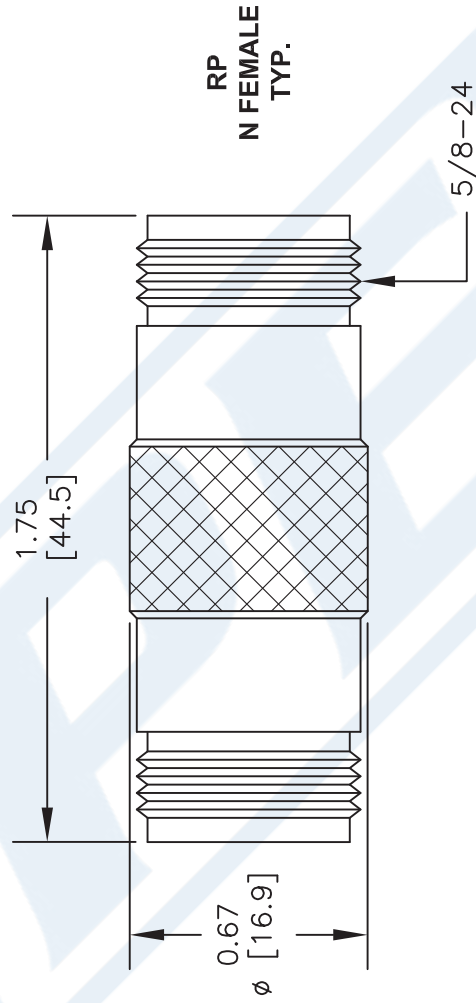
Click the following link (or enter part number in "SEARCH" on website) to obtain additional part information including price, inventory and certifications: [Reverse Polarity N Female to Reverse Polarity N Female Adapter PE9773](https://www.pasternack.com/n-female-n-female-straight-adapter-pe9773-p.aspx)

URL: <https://www.pasternack.com/n-female-n-female-straight-adapter-pe9773-p.aspx>

The information contained in this document is accurate to the best of our knowledge and representative of the part described herein. It may be necessary to make modifications to the part and/or the documentation of the part, in order to implement improvements. Pasternack reserves the right to make such changes as required. Unless otherwise stated, all specifications are nominal. Pasternack does not make any representation or warranty regarding the suitability of the part described herein for any particular purpose, and Pasternack does not assume any liability arising out of the use of any part or documentation.

# PE9773 CAD Drawing

Reverse Polarity N Female to Reverse Polarity N Female Adapter



NOTES:  
1. UNLESS OTHERWISE SPECIFIED ALL DIMENSIONS ARE NOMINAL.  
2. ALL SPECIFICATIONS ARE SUBJECT TO CHANGE WITHOUT NOTICE AT ANY TIME.  
3. DIMENSIONS ARE IN INCHES [mm].

DWG TITLE

**PE9773**

FSCM NO. 53919

CAD FILE

103114

SCALE N/A

SIZE A

2233

**(PE) PASTERNAK®**  
THE ENGINEER'S RF SOURCE

Pasternack Enterprises, Inc.  
P.O. Box 16759 | Irvine | CA | 92623  
Phone: (949) 261-1920 | Fax: (949) 261-7451  
Website: www.pasternack.com | E-Mail: sales@pasternack.com