



WR-42 UG-597/U Square Cover Flange to 2.92mm Male  
Waveguide to Coax Adapter Operating from 18 GHz to 26.5 GHz

Waveguide to Coax Adapters Technical Data Sheet

PE9813A

**Configuration**

Waveguide Size	WR-42
Flange	UG-597/U Square Cover
RF Connector	2.92mm Male
Impedance	50 Ohms
Body Geometry	Right Angle

**Electrical Specifications**

Description	Minimum	Typical	Maximum	Units
Frequency Range	18		26.5	GHz
VSWR			1.4:1	

**Mechanical Specifications**

**Size**

Length	1.24 in [31.5 mm]
Width	0.88 in [22.35 mm]
Height	0.88 in [22.35 mm]
Weight	0.05 lbs [22.68 g]

**RF Connector**

Connector Type	2.92mm Male
Body Material and Plating	Passivated Stainless Steel
Torque	8 in-lbs [0.9 Nm]

**Waveguide Interface**

Waveguide Type	WR-42
Flange Type	Square Cover
Flange Designation	UG-597/U
Body Material and Plating	Aluminum

**Compliance Certifications** (see [product page](#) for current document)

**Plotted and Other Data**

Notes:

- Values at +25 °C, sea level unless stated otherwise

Click the following link (or enter part number in "SEARCH" on website) to obtain additional part information including price, inventory and certifications: [WR-42 UG-597/U Square Cover Flange to 2.92mm Male Waveguide to Coax Adapter Operating from 18 GHz to 26.5 GHz PE9813A](#)



WR-42 UG-597/U Square Cover Flange to 2.92mm Male  
Waveguide to Coax Adapter Operating from 18 GHz to 26.5 GHz

Waveguide to Coax Adapters Technical Data Sheet

PE9813A

WR-42 UG-597/U Square Cover Flange to 2.92mm Male Waveguide to Coax Adapter Operating from 18 GHz to 26.5 GHz from Pasternack Enterprises has same day shipment for domestic and International orders. Our RF, microwave and millimeter wave products maintain a 99.4% availability and are part of the broadest selection in the industry.

Click the following link (or enter part number in "SEARCH" on website) to obtain additional part information including price, inventory and certifications: [WR-42 UG-597/U Square Cover Flange to 2.92mm Male Waveguide to Coax Adapter Operating from 18 GHz to 26.5 GHz PE9813A](https://www.pasternack.com/wr42-ug597-square-flange-to-2.92mm-male-waveguide-coax-adapter-26.5-ghz-pe9813a-p.aspx)

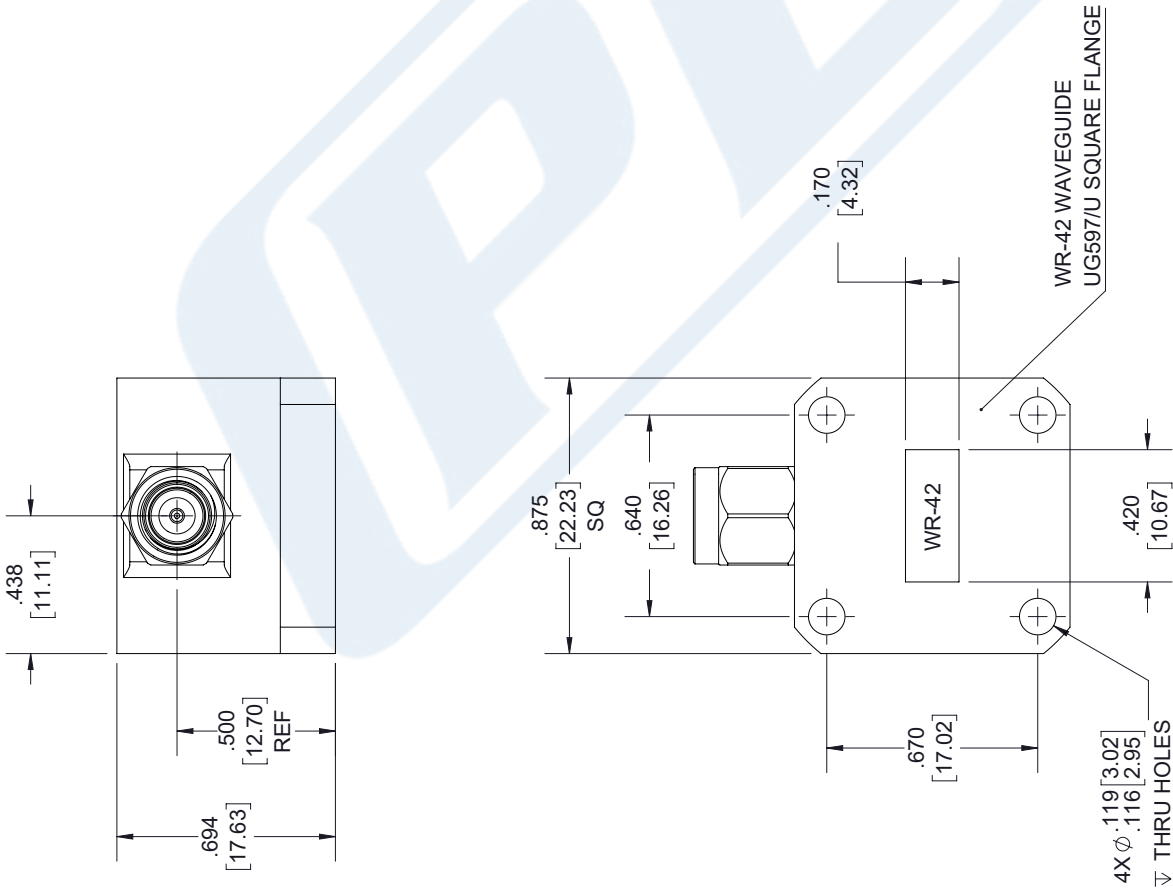
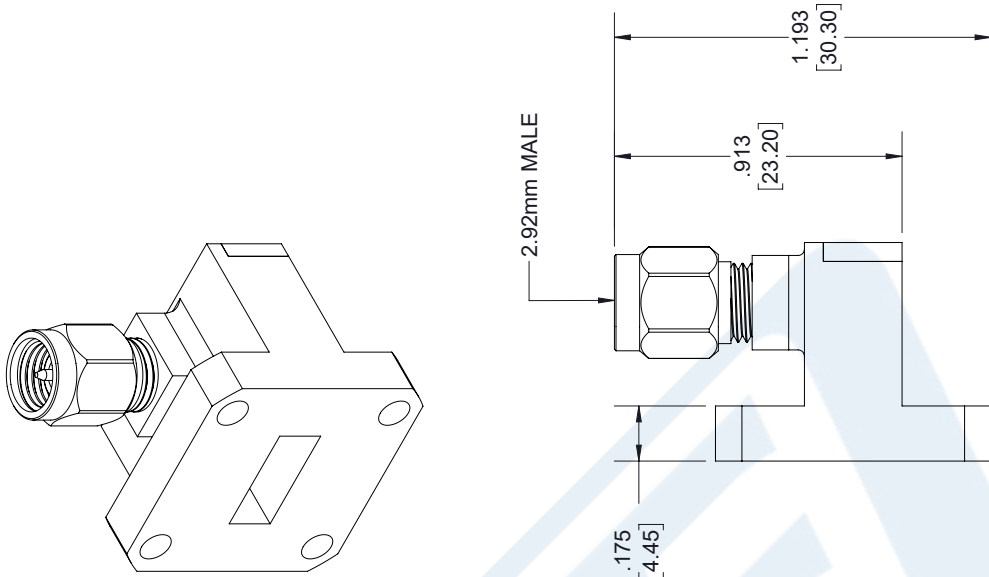
URL: <https://www.pasternack.com/wr42-ug597-square-flange-to-2.92mm-male-waveguide-coax-adapter-26.5-ghz-pe9813a-p.aspx>

The information contained in this document is accurate to the best of our knowledge and representative of the part described herein. It may be necessary to make modifications to the part and/or the documentation of the part, in order to implement improvements. Pasternack reserves the right to make such changes as required. Unless otherwise stated, all specifications are nominal. Pasternack does not make any representation or warranty regarding the suitability of the part described herein for any particular purpose, and Pasternack does not assume any liability arising out of the use of any part or documentation.

# PE9813A CAD Drawing

WR-42 UG-597/U Square Cover Flange to 2.92mm Male Waveguide to Coax Adapter Operating from 18 GHz to 26.5 GHz

REVISIONS			
REV.	DESCRIPTION	DATE	APPROVED
A	INITIAL RELEASE	08/09/19	S. PONG



<p>UNLESS OTHERWISE SPECIFIED LEADING DIMENSIONS ARE INCHES DIMENSIONS IN [ ] ARE MILLIMETERS</p> <p>TOLERANCES:</p> <table border="0"> <tr> <td>X±.2</td> <td>[5.08]</td> <td>FRACTIONS</td> </tr> <tr> <td>.XX±.01</td> <td>[.25]</td> <td>±.132</td> </tr> <tr> <td>.XXX±.005</td> <td>[.13]</td> <td>ANGLES ± 1°</td> </tr> </table> <p>ALL DIMENSIONS SHOWN ARE FOR REFERENCE ONLY.</p> <p>THIRD-ANGLE PROJECTION</p>		X±.2	[5.08]	FRACTIONS	.XX±.01	[.25]	±.132	.XXX±.005	[.13]	ANGLES ± 1°	<p>THE INFORMATION AND DESIGN IN THIS DOCUMENT IS THE PROPERTY OF PASTERNAK CORPORATION. ALL RIGHTS RESERVED.</p> <p>SHEET 1 OF 1</p> <p>SCALE N/A</p>	
X±.2	[5.08]	FRACTIONS										
.XX±.01	[.25]	±.132										
.XXX±.005	[.13]	ANGLES ± 1°										
<p><b>PE PASTERNAK</b> an INFINITO brand</p> <p>Pasternack Enterprises, Inc. P.O. Box 16759, Irvine, CA 92623. Phone: 1.949.261.1920   1.866.727.8376 Fax: 1.949.261.7451 www.pasternack.com   e-mail: sales@pasternack.com</p>		<p>REV A</p>										
<p>SIZE A</p>	<p>CAGE DRAWN BY K.DANG</p>	<p>PART NUMBER PE9813A</p>	<p>REV A</p>									

LABEL:

PE9813A  
D/C: YYWW

THESE COMMODITIES, TECHNOLOGY OR SOFTWARE WERE EXPORTED FROM THE UNITED STATES IN ACCORDANCE WITH THE EXPORT ADMINISTRATION REGULATIONS. DIVERSION CONTRARY TO U.S. LAW PROHIBITED.