



WR-229 CMR-229 Flange to N Female Waveguide to Coax Adapter Operating From 3.3 GHz to 4.9 GHz, S-C Band

Waveguide to Coax Adapters Technical Data Sheet

PE9823

Features

- S-C Band, 3.3 to 4.9 GHz Frequency Range
- WR-229 Waveguide Interface with CMR-229 Flange
- N Female Coaxial Interface
- Comprehensive waveguide offerings also include E-Bends, H-Bends, Sections, Filters, Terminations, Couplers, and more.

Description

The PE9823 is a waveguide to coaxial adapter operating in the S-C band with a 3.3 to 4.9 GHz frequency range. This adapter offers a WR-229 waveguide interface size coupled with a precision tolerance CMR-229 flange. The PE9823 is constructed of aluminum to ensure durability and repeatable RF performance. The coaxial connector offered by this adapter uses a N type female connector and the package is REACH and RoHS compliant.

Configuration

| | |
|----------------|-------------|
| Waveguide Size | WR-229 |
| Flange | CMR-229 |
| RF Connector | N Female |
| Impedance | 50 Ohms |
| Body Geometry | Right Angle |

Electrical Specifications

| Description | Minimum | Typical | Maximum | Units |
|--------------------|---------|---------|---------|-------|
| Frequency Range | 3.3 | | 4.9 | GHz |
| VSWR | | | 1.3:1 | |
| Input Power (Peak) | | | 300 | Watts |

Mechanical Specifications

| | |
|-------------|---------------------|
| Size | |
| Length | 2.18 in [55.37 mm] |
| Width | 3.16 in [80.26 mm] |
| Height | 2.83 in [71.88 mm] |
| Weight | 0.42 lbs [190.51 g] |

RF Connector

| | |
|---------------------------|-----------------|
| Connector Type | N Female |
| Body Material and Plating | Stainless Steel |

Waveguide Interface

| | |
|---------------------------|----------|
| Waveguide Type | WR-229 |
| Flange Type | CMR-229 |
| Body Material and Plating | Aluminum |

Click the following link (or enter part number in "SEARCH" on website) to obtain additional part information including price, inventory and certifications: [WR-229 CMR-229 Flange to N Female Waveguide to Coax Adapter Operating From 3.3 GHz to 4.9 GHz, S-C Band PE9823](#)



WR-229 CMR-229 Flange to N Female Waveguide to Coax
Adapter Operating From 3.3 GHz to 4.9 GHz, S-C Band

Waveguide to Coax Adapters Technical Data Sheet

PE9823

Environmental Specifications

Temperature

Operating Range

-40 to +85 deg C

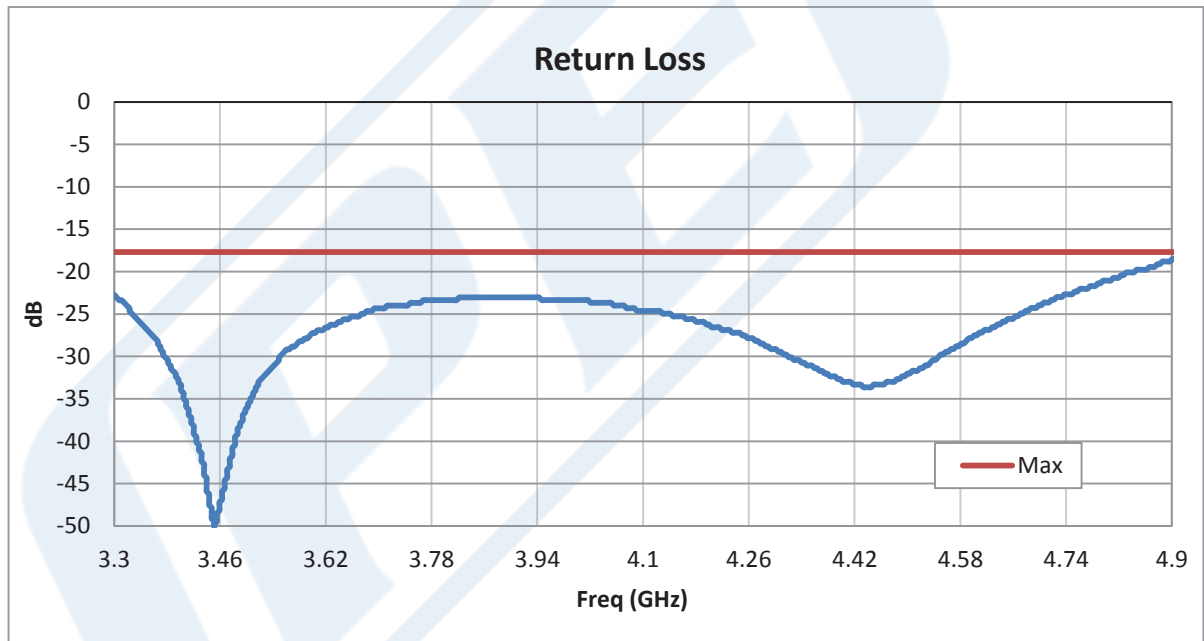
Compliance Certifications (see [product page](#) for current document)

Plotted and Other Data

Notes:

- Values at +25 °C, sea level unless stated otherwise

Typical Performance Data



Click the following link (or enter part number in "SEARCH" on website) to obtain additional part information including price, inventory and certifications: [WR-229 CMR-229 Flange to N Female Waveguide to Coax Adapter Operating From 3.3 GHz to 4.9 GHz, S-C Band PE9823](#)



WR-229 CMR-229 Flange to N Female Waveguide to Coax Adapter Operating From 3.3 GHz to 4.9 GHz, S-C Band

Waveguide to Coax Adapters Technical Data Sheet

PE9823

WR-229 CMR-229 Flange to N Female Waveguide to Coax Adapter Operating From 3.3 GHz to 4.9 GHz, S-C Band from Pasternack Enterprises has same day shipment for domestic and International orders. Our RF, microwave and millimeter wave products maintain a 99.4% availability and are part of the broadest selection in the industry.

Click the following link (or enter part number in "SEARCH" on website) to obtain additional part information including price, inventory and certifications: [WR-229 CMR-229 Flange to N Female Waveguide to Coax Adapter Operating From 3.3 GHz to 4.9 GHz, S-C Band PE9823](https://www.pasternack.com/wr-229-n-female-waveguide-coax-adapter-3.3-ghz-4.9-ghz-pe9823-p.aspx)

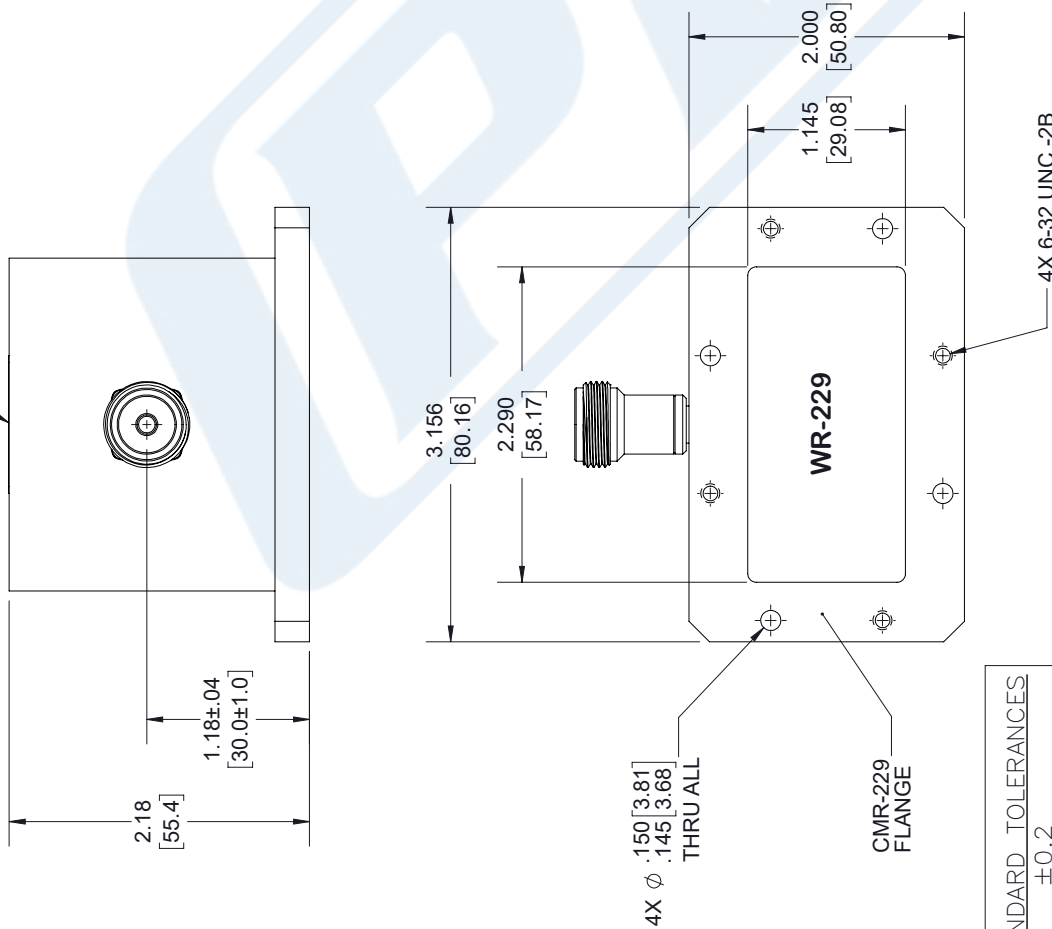
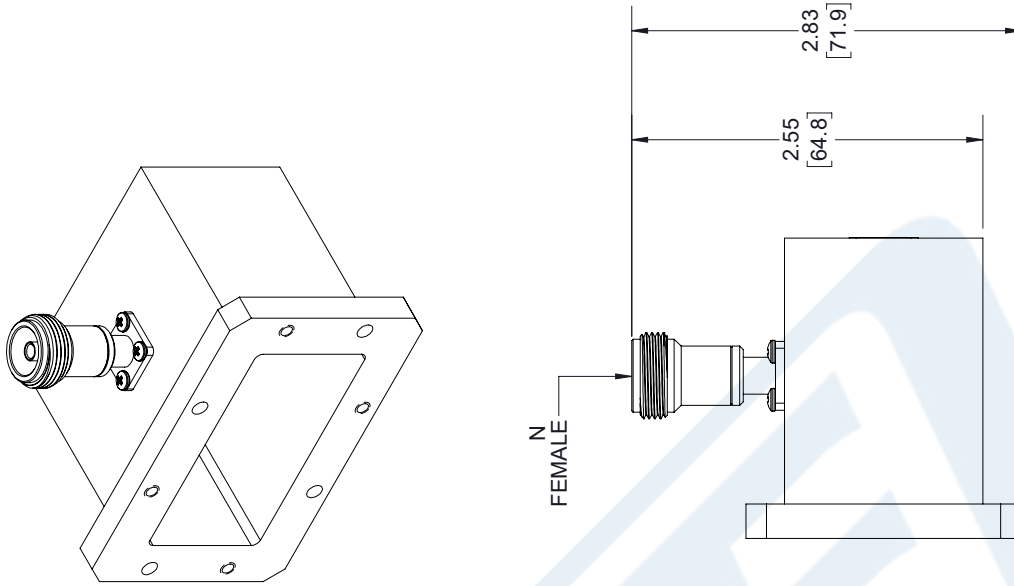
URL: <https://www.pasternack.com/wr-229-n-female-waveguide-coax-adapter-3.3-ghz-4.9-ghz-pe9823-p.aspx>

The information contained in this document is accurate to the best of our knowledge and representative of the part described herein. It may be necessary to make modifications to the part and/or the documentation of the part, in order to implement improvements. Pasternack reserves the right to make such changes as required. Unless otherwise stated, all specifications are nominal. Pasternack does not make any representation or warranty regarding the suitability of the part described herein for any particular purpose, and Pasternack does not assume any liability arising out of the use of any part or documentation.

PE9823 CAD Drawing

WR-229 CMR-229 Flange to N Female Waveguide to Coax Adapter Operating From 3.3 GHz to 4.9 GHz, S-C Band

LABEL PRINT:
PASTERNAK
PE9823 WR-229
3.3-4.9 GHz



| STANDARD TOLERANCES | |
|---------------------|--------|
| .X | ±0.2 |
| .XX | ±0.01 |
| .XXX | ±0.005 |

*STANDARD TOLERANCES APPLY ONLY TO DIMENSIONS IN INCHES



Pasternack Enterprises, Inc.
P.O. Box 16759 | Irvine | CA | 92623

Phone: (949) 261-1920 | Fax: (949) 261-7451
Website: www.pasternack.com | E-Mail: sales@pasternack.com

DWG TITLE

PE9823

CAGE CODE 53919

NOTES:
1. UNLESS OTHERWISE SPECIFIED ALL DIMENSIONS ARE NOMINAL.
2. ALL SPECIFICATIONS ARE SUBJECT TO CHANGE WITHOUT NOTICE AT ANY TIME
3. DIMENSIONS ARE IN INCHES [mm].

CAD FILE 100917

SCALE N/A

SIZE A

7361