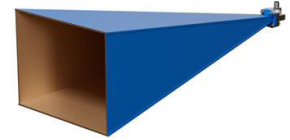


WR-28 Waveguide Standard Gain Horn Antenna Operating from 26.5 GHz to 40 GHz with a Nominal 30 dBi Gain 2.92mm Female Input



PE9850B-2F-30

Features

- WR-28 Rectangular Waveguide Interface
- 26.5 GHz to 40 GHz
- 30 dBi Nominal Gain
- Type 2.92mm Female Connector

Applications

- Antenna Measurements
- Wireless Communication
- Laboratory Use
- Microwave Radio Systems

Description

The Pasternack PE9850B-2F-30 Proline series standard gain horn antenna (also known as waveguide horn) is part of our huge selection of waveguide antennas. This Pasternack standard gain horn antenna is manufactured with a WR-28 input and a Type 2.92mm waveguide to coaxial transition adapter. Our standard gain horn antenna, WR-28 has a 30 dBi nominal gain. This WR-28 standard gain horn from Pasternack has a female Type 2.92mm waveguide to coax transition adapter.

The 30 dBi Pasternack WR-28 horn antenna operates from 26.5GHz to 40 GHz. Pasternack's Type 2.92mmfemale WR-28The 30 dBi Pasternack WR-28 horn antenna operates from 26.5 GHz to 40 GHz. Pasternack's Type 2.92mm female WR-28 standard gain horns are available in 10, 15 and 20 dBi models with pyramidal shape and rectangular input. It is part of over 40,000 RF, microwave and millimeter wave components available at Pasternack.

Waveguide standard gain horn antennas, such as the PE9850B-2F-30, are used in a wide variety of applications due to their high power handling capability, low loss, high directivity, and near constant electrical performance. The WR-28 PE9850B-2F-30 waveguide horn is US made and TAA compliant. Our WR-28 standard gain horn Proline antennas with Type 2.92mm female interface can ship same day to anywhere in the world.

Configuration

Design	WR-28
Pattern	Directional
Coaxial Interface	2.92mm Female

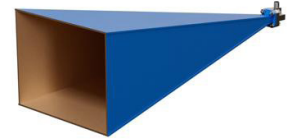
Electrical Specifications

Description	Minimum	Typical	Maximum	Units
Frequency Range	26.5		40	GHz
Gain		30		
Horizontal Half Power Beam Width		5		Degrees
Vertical Half Power Beam Width		5		
Waveguide to Coaxial Adapter				
VSWR			1.5:1	

Mechanical Specifications

Size	
Length	13.61 in [345.69 mm]
Width	5.09 in [129.29 mm]
Height	3.74 in [95 mm]
Weight	0.44 lbs [199.58 g]

WR-28 Waveguide Standard Gain Horn Antenna
Operating from 26.5 GHz to 40 GHz with a
Nominal 30 dB Gain 2.92mm Female Input



PE9850B-2F-30

RF Connector

Type	2.92mm Female
Contact Material Plating	Stainless Steel

Waveguide Interface

Waveguide Size	WR-28
Flange Type	Square Cover
Flange Designation	UG-599/U
Body Material and Plating	Aluminum

Compliance Certifications (see [product page](#) for current document)

Plotted and Other Data

Notes:

Typical Performance Data

WR-28 Waveguide Standard Gain Horn Antenna Operating from 26.5 GHz to 40 GHz with a Nominal 30 dB Gain 2.92mm Female Input from Pasternack Enterprises has same day shipment for domestic and International orders. Our RF, microwave and millimeter wave products maintain a 99.4% availability and are part of the broadest selection in the industry.

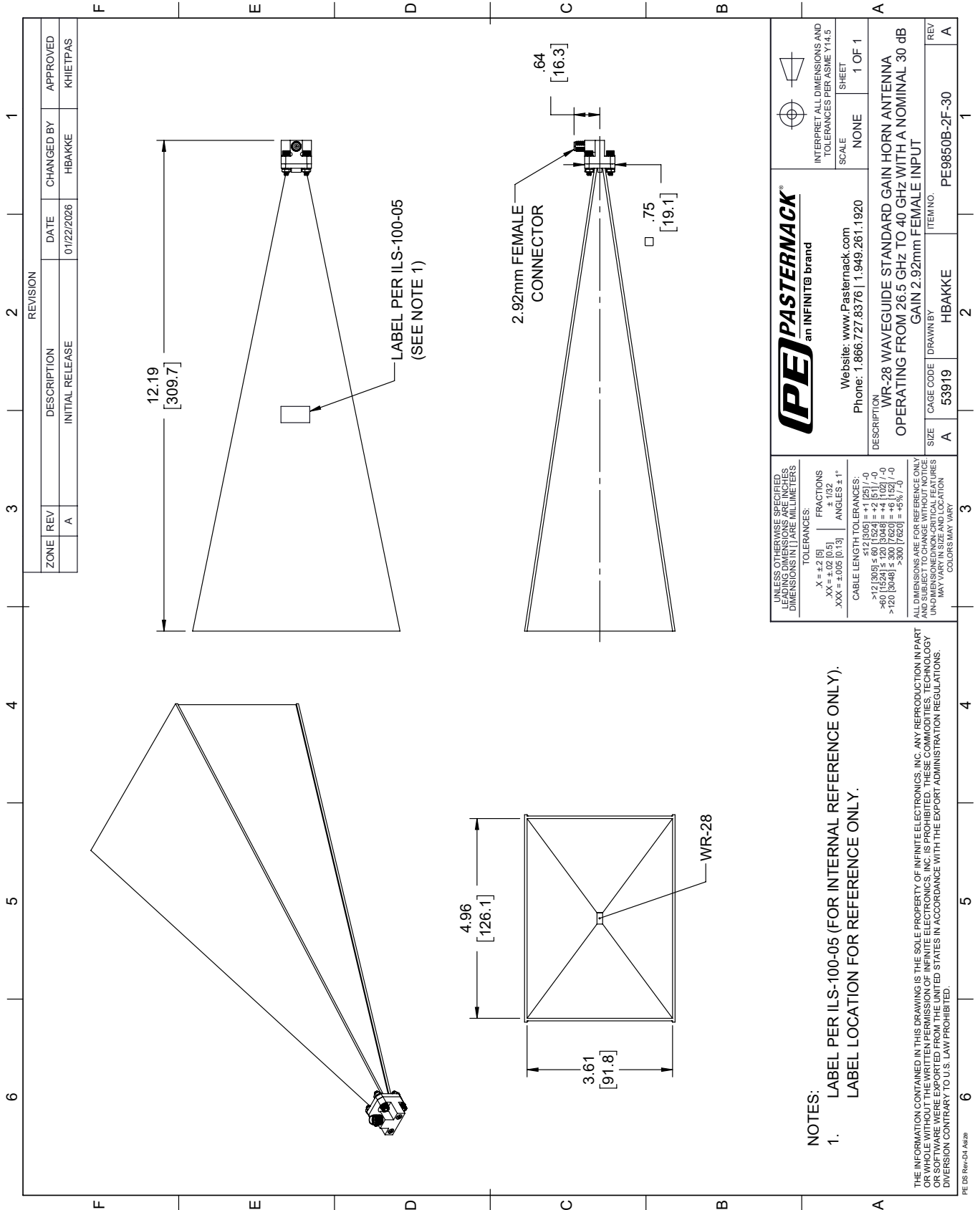
Click the following link (or enter part number in "SEARCH" on website) to obtain additional part information including price, inventory and certifications: [WR-28 Waveguide Standard Gain Horn Antenna Operating from 26.5 GHz to 40 GHz with a Nominal 30 dB Gain 2.92mm Female Input PE9850B-2F-30](#)

URL: <https://www.pasternack.com/wr-28-waveguide-standard-gain-horn-antenna-30-db-2.92mm-pe9850b-2f-30-p.aspx>

The information contained within this document is accurate to the best of our knowledge and representative of the part described herein. It may be necessary to make modifications to the part and/or the documentation of the part in order to implement improvements. Pasternack Enterprises reserves the right to make such changes as required. Unless otherwise stated, all specifications are nominal. Pasternack Enterprises does not make any representation or warranty regarding the suitability of the part described herein for any particular purpose, and Pasternack Enterprises does not assume liability arising out of the use of any part or document.

PE9850B-2F-30 CAD Drawing

WR-28 Waveguide Standard Gain Horn Antenna Operating from 26.5 GHz to 40 GHz with a Nominal 30 dB Gain 2.92mm Female Input



REVISION		DATE	CHANGED BY	APPROVED
ZONE	REV	DESCRIPTION	INITIAL RELEASE	
	A			KHIE/TPAS

PE PASTERNAK
an INFINITE brand

Website: www.pasternack.com
Phone: 1.866.727.8376 | 1.949.261.1920

INTERPRET ALL DIMENSIONS AND TOLERANCES PER ASME Y14.5
SCALE NONE
SHEET 1 OF 1

DESCRIPTION
WR-28 WAVEGUIDE STANDARD GAIN HORN ANTENNA OPERATING FROM 26.5 GHz TO 40 GHz WITH A NOMINAL 30 dB GAIN 2.92mm FEMALE INPUT

SIZE	CAGE CODE	DRAWN BY	ITEM NO.
A	53919	HBAKKE	PE9850B-2F-30

REV A

UNLESS OTHERWISE SPECIFIED, DIMENSIONS ARE IN INCHES. DIMENSIONS IN [] ARE MILLIMETERS.

TOLERANCES:
 .X = ±.2 [5]
 .XX = ±.02 [0.5]
 .XXX = ±.005 [0.13]

FRACTIONS
 ± 1/32
 ANGLES ± 1°

CABLE LENGTH TOLERANCES:
 <12 [305] ±.60 [15.24] = ±.25 [6.35] / -0
 >12 [305] ≤ 60 [1524] = ±.5 [12.7] / -0
 >60 [1524] ≤ 120 [3048] = ±.4 [10.2] / -0
 >120 [3048] ≤ 300 [7620] = ±.1 [2.5] / -0
 >300 [7620] = ±.5 [12.7] / -0

ALL DIMENSIONS ARE FOR REFERENCE ONLY. DIMENSIONS OF NON-CRITICAL FEATURES MAY VARY IN SIZE AND LOCATION. COLORS MAY VARY.

NOTES:
 1. LABEL PER ILS-100-05 (FOR INTERNAL REFERENCE ONLY). LABEL LOCATION FOR REFERENCE ONLY.

THE INFORMATION CONTAINED IN THIS DRAWING IS THE SOLE PROPERTY OF INFINITE ELECTRONICS, INC. ANY REPRODUCTION IN PART OR WHOLE WITHOUT THE WRITTEN PERMISSION OF INFINITE ELECTRONICS, INC. IS PROHIBITED. THESE COMMODITIES, TECHNOLOGY OR SOFTWARE WERE EXPORTED FROM THE UNITED STATES IN ACCORDANCE WITH THE EXPORT ADMINISTRATION REGULATIONS. DIVISION CONTRARY TO U.S. LAW PROHIBITED.

PE DS Rev-D4 Add2