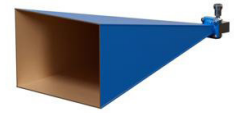


WR-62 Waveguide Standard Gain Horn Antenna Operating from 12.4 GHz to 18 GHz with a Nominal 25 dB Gain N Female Input



PE9854B-NF-25

Features

- WR-62 Rectangular Waveguide Interface
- 12.4 GHz to 18 GHz
- 25 dBi Nominal Gain
- Type N Female Connector

Applications

- Antenna Measurements
- Wireless Communication
- Laboratory Use
- Microwave Radio Systems

Description

The Pasternack PE9854B-NF-25 Proline series standard gain horn antenna (also known as waveguide horn) is part of our huge selection of waveguide antennas. This Pasternack standard gain horn antenna is manufactured with a WR-62 input and a Type N waveguide to coaxial transition adapter. Our standard gain horn antenna, WR-62 has a 25 dBi nominal gain. This WR-62 standard gain horn from Pasternack has a female Type N waveguide to coax transition adapter.

The 25 dBi Pasternack WR-62 horn antenna operates from 12.4GHz to 18 GHz. Pasternack's Type Nfemale WR-62The 25 dBi Pasternack WR-62 horn antenna operates from 12.4 GHz to 18 GHz. Pasternack's Type N female WR-62 standard gain horns are available in 10, 15 and 20 dBi models with pyramidal shape and rectangular input. It is part of over 40,000 RF, microwave and millimeter wave components available at Pasternack.

Waveguide standard gain horn antennas, such as the PE9854B-NF-25, are used in a wide variety of applications due to their high power handling capability, low loss, high directivity, and near constant electrical performance. The WR-62 PE9854B-NF-25 waveguide horn is US made and TAA compliant. Our WR-62 standard gain horn Proline antennas with Type N female interface can ship same day to anywhere in the world.

Configuration

Design	WR-62
Pattern	Directional
Coaxial Interface	N Female

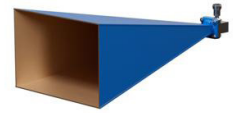
Electrical Specifications

Description	Minimum	Typical	Maximum	Units
Frequency Range	12.4		18	GHz
Gain		25		
Horizontal Half Power Beam Width		8		Degrees
Vertical Half Power Beam Width		8		
Waveguide to Coaxial Adapter				
VSWR			1.4:1	

Mechanical Specifications

Size	
Length	14.99 in [380.75 mm]
Width	7.25 in [184.15 mm]
Height	4.65 in [118.11 mm]
Weight	0.56 lbs [254.01 g]

WR-62 Waveguide Standard Gain Horn Antenna
Operating from 12.4 GHz to 18 GHz with a
Nominal 25 dB Gain N Female Input



PE9854B-NF-25

RF Connector

Type	N Female
Contact Material Plating	Stainless Steel

Waveguide Interface

Waveguide Size	WR-62
Flange Type	Square Cover
Flange Designation	UG-1665/U
Body Material and Plating	Aluminum

Compliance Certifications (see [product page](#) for current document)

Plotted and Other Data

Notes:

Typical Performance Data

WR-62 Waveguide Standard Gain Horn Antenna Operating from 12.4 GHz to 18 GHz with a Nominal 25 dB Gain N Female Input from Pasternack Enterprises has same day shipment for domestic and International orders. Our RF, microwave and millimeter wave products maintain a 99.4% availability and are part of the broadest selection in the industry.

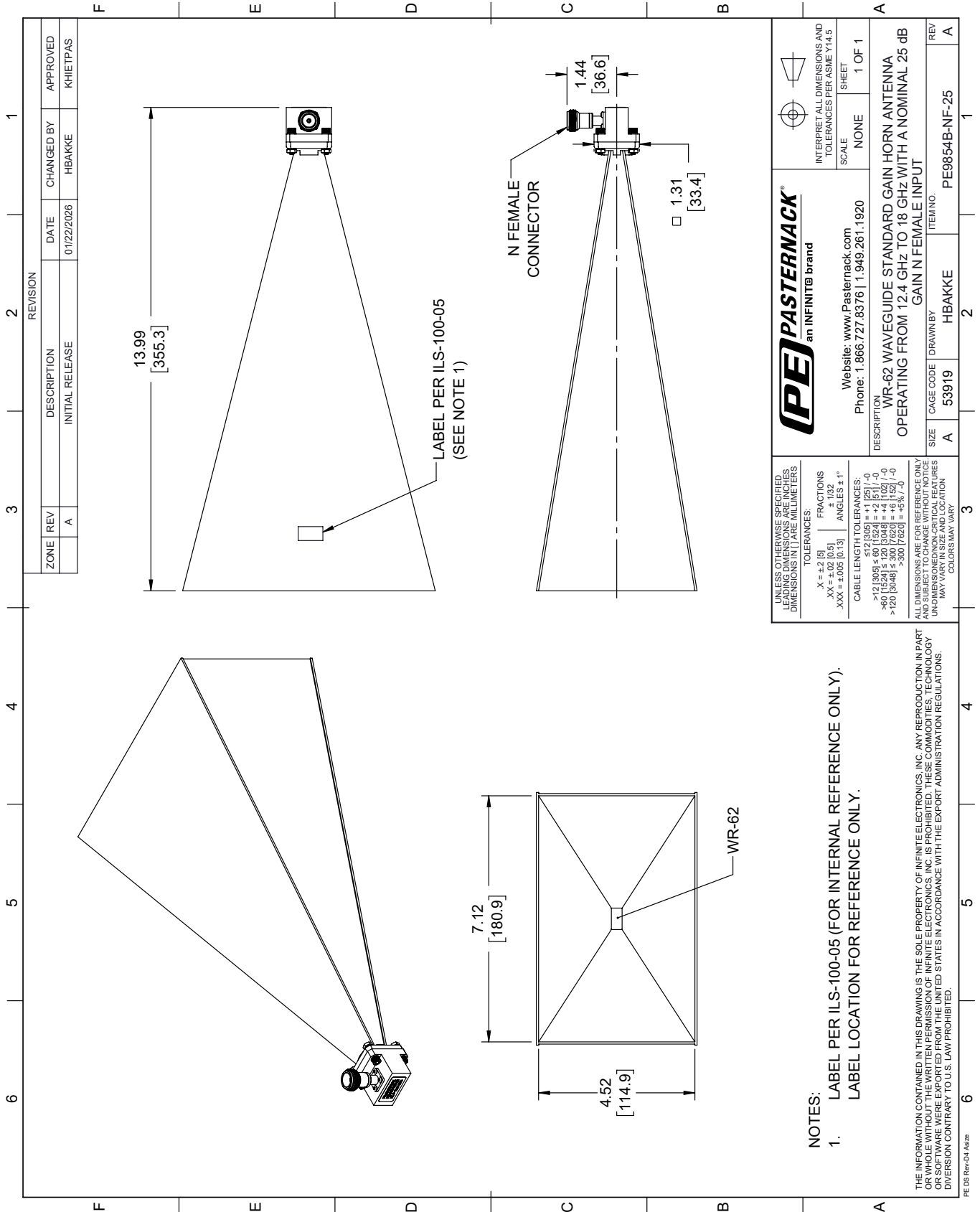
Click the following link (or enter part number in "SEARCH" on website) to obtain additional part information including price, inventory and certifications: [WR-62 Waveguide Standard Gain Horn Antenna Operating from 12.4 GHz to 18 GHz with a Nominal 25 dB Gain N Female Input PE9854B-NF-25](#)

URL: <https://www.pasternack.com/wr-62-waveguide-standard-gain-horn-antenna-25-db-n-pe9854b-nf-25-p.aspx>

The information contained within this document is accurate to the best of our knowledge and representative of the part described herein. It may be necessary to make modifications to the part and/or the documentation of the part in order to implement improvements. Pasternack Enterprises reserves the right to make such changes as required. Unless otherwise stated, all specifications are nominal. Pasternack Enterprises does not make any representation or warranty regarding the suitability of the part described herein for any particular purpose, and Pasternack Enterprises does not assume liability arising out of the use of any part or document.

PE9854B-NF-25 CAD Drawing

WR-62 Waveguide Standard Gain Horn Antenna Operating from 12.4 GHz to 18 GHz with a Nominal 25 dB Gain N Female Input



(PE) PASTERNAK®
 an INFINITE® brand

Website: www.Pasternack.com
 Phone: 1.866.727.8376 | 1.949.261.1920

DESCRIPTION
 WR-62 WAVEGUIDE STANDARD GAIN HORN ANTENNA
 OPERATING FROM 12.4 GHz TO 18 GHz WITH A NOMINAL 25 dB
 GAIN N FEMALE INPUT

SCALE NONE
 SHEET 1 OF 1

INTERPRET ALL DIMENSIONS AND TOLERANCES PER ASME Y14.5

SIZE	CAGE CODE	DRAWN BY	ITEM NO.
A	53919	HBAKKE	PE9854B-NF-25

REV A