

WR-75 Standard Gain Horn Antenna Operates From 10 GHz to 15 GHz With a Nominal 10 dB Gain WR-75 Input

TECHNICAL DATA SHEET

PE9855-10

**WR-75 Standard Gain Horn Antenna Operates From 10 GHz to 15 GHz With a Nominal 10 dB Gain WR-75 Input**

**Configuration**

Design	WR-75 Standard Gain Horn
Frequency Range, GHz	10 to 15
Polarization	Linear
Interface 1	WR-75

**Electrical Specifications**

Nominal Gain, dB	10
------------------	----

**Mechanical Specifications**

**Size**

Length, in [mm]	1.875 [47.63]
Width, in [mm]	1.5 [38.1]
Height, in [mm]	1.5 [38.1]

**Compliance Certifications** (visit [www.Pasternack.com](http://www.Pasternack.com) for current document)

**Plotted and Other Data**

2 Dimensional OML Drawing	PE9855-10
Notes:	Values at 25 °C, sea level

WR-75 Standard Gain Horn Antenna Operates From 10 GHz to 15 GHz With a Nominal 10 dB Gain WR-75 Input from Pasternack Enterprises has same day shipment for domestic and International orders. Our RF, microwave and fiber optic products maintain a 99% availability and are part of the broadest selection in the industry.

Click the following link (or enter part number in "SEARCH" on website) to obtain additional part information including price, inventory and certifications: [WR-75 Standard Gain Horn Antenna Operates From 10 GHz to 15 GHz With a Nominal 10 dB Gain WR-75 Input PE9855-10](http://www.pasternack.com/standard-gain-horn-waveguide-size-wr75-pe9855-10-p.aspx)

URL: <http://www.pasternack.com/standard-gain-horn-waveguide-size-wr75-pe9855-10-p.aspx>

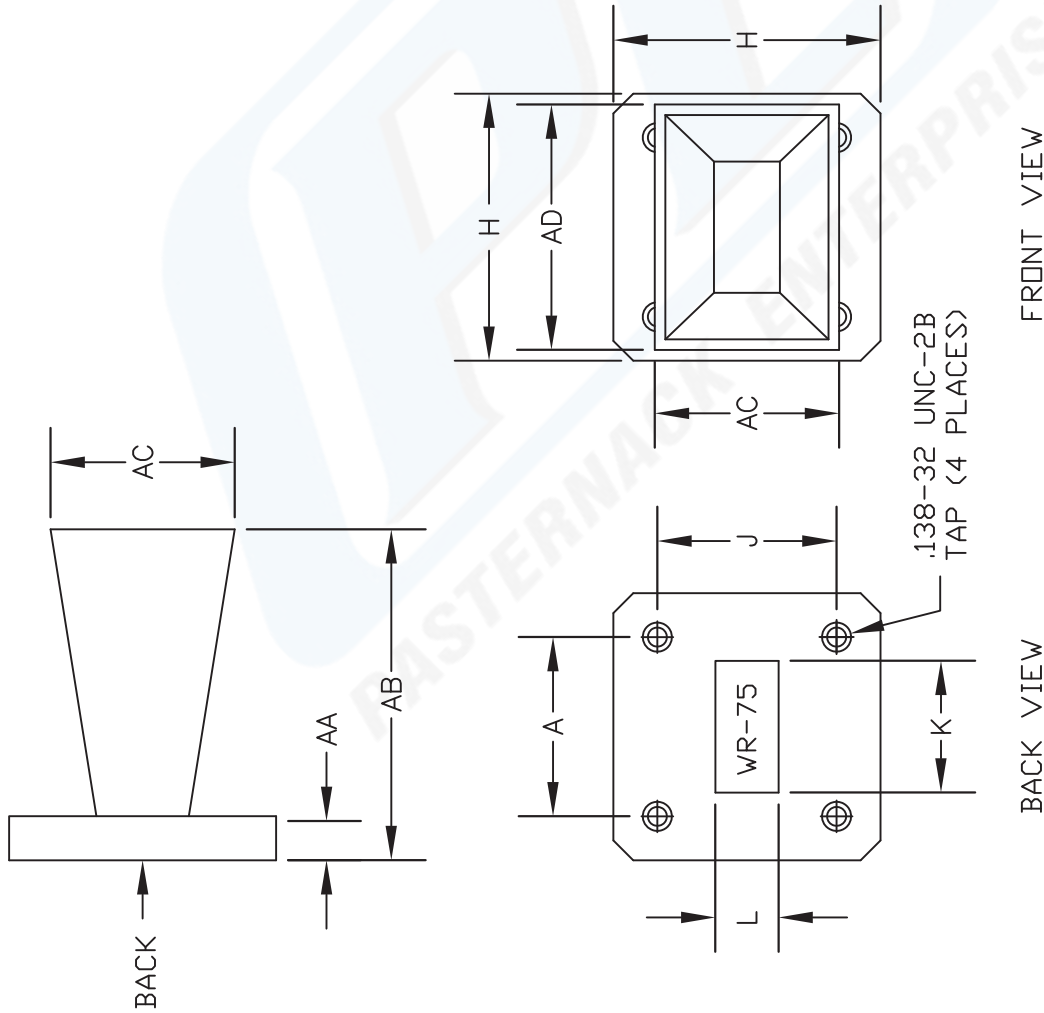
The information contained in this document is accurate to the best of our knowledge and representative of the part described herein. It may be necessary to make modifications to the part and/or the documentation of the part, in order to implement improvements. Pasternack reserves the right to make such changes as required. Unless otherwise stated, all specifications are nominal.

# PE9855-10 CAD Drawing

WR-75 Standard Gain Horn Antenna Operates From 10 GHz to 15 GHz With a Nominal 10 dB Gain WR-75 Input

WR75	Dimension	Inches	mm
A		1.040	26.42
H		1.500	38.10
J		1.122	28.50
K	(±0.010)	0.750	19.05
L	(±0.010)	0.375	9.53

AA	0.250	6.35
AB	1.875	47.63
AC	1.044	26.52
AD	1.390	35.31



NOTES:  
 1. UNLESS OTHERWISE SPECIFIED ALL DIMENSIONS ARE NOMINAL.  
 2. ALL SPECIFICATIONS ARE SUBJECT TO CHANGE WITHOUT NOTICE AT ANY TIME.  
 3. DIMENSIONS ARE IN INCHES [mm].

DWG TITLE  
**PE9855-10**

**PASTERNAK ENTERPRISES, INC.**  
 PO BOX 16759, IRVINE, CA 92623  
 PHONE (949) 261-1920 FAX (949) 261-7451  
 WEB ADDRESS: [www.pasternack.com](http://www.pasternack.com)  
 E-MAIL ADDRESS: [sales@pasternack.com](mailto:sales@pasternack.com)  
**COAXIAL & FIBER OPTICS**



REV. B	FSCM NO. 53919	CAD FILE 122109	SCALE N/A	SIZE A	127
--------	----------------	-----------------	-----------	--------	-----