



## WR-90 Standard Gain Horn Antenna Operates From 8.2 GHz to 12.4 GHz With a Nominal 20 dB Gain WR-90 Input

### TECHNICAL DATA SHEET

PE9856-20

#### WR-90 Standard Gain Horn Antenna Operates From 8.2 GHz to 12.4 GHz With a Nominal 20 dB Gain WR-90 Input

##### Configuration

Design	WR-90 Standard Gain Horn
Frequency Range, GHz	8.2 to 12.4
Polarization	Linear
Interface 1	WR-90

##### Electrical Specifications

Nominal Gain, dB	20
------------------	----

##### Mechanical Specifications

###### Size

Length, in [mm]	10.06 [255.52]
Width, in [mm]	5 [127]
Height, in [mm]	3.7 [93.98]
Weight, lbs [g]	0.75 [340.19]

##### Compliance Certifications (visit [www.Pasternack.com](http://www.Pasternack.com) for current document)

##### Plotted and Other Data

2 Dimensional OML Drawing	PE9856-20
Notes:	Values at 25 °C, sea level

WR-90 Standard Gain Horn Antenna Operates From 8.2 GHz to 12.4 GHz With a Nominal 20 dB Gain WR-90 Input from Pasternack Enterprises has same day shipment for domestic and International orders. Our RF, microwave and fiber optic products maintain a 99% availability and are part of the broadest selection in the industry.

Click the following link (or enter part number in "SEARCH" on website) to obtain additional part information including price, inventory and certifications: [WR-90 Standard Gain Horn Antenna Operates From 8.2 GHz to 12.4 GHz With a Nominal 20 dB Gain WR-90 Input PE9856-20](#)

URL: <http://www.pasternack.com/standard-gain-horn-waveguide-size-wr90-pe9856-20-p.aspx>

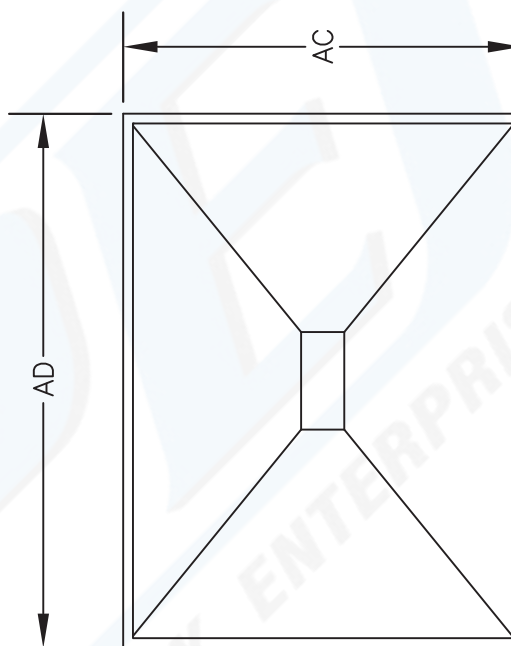
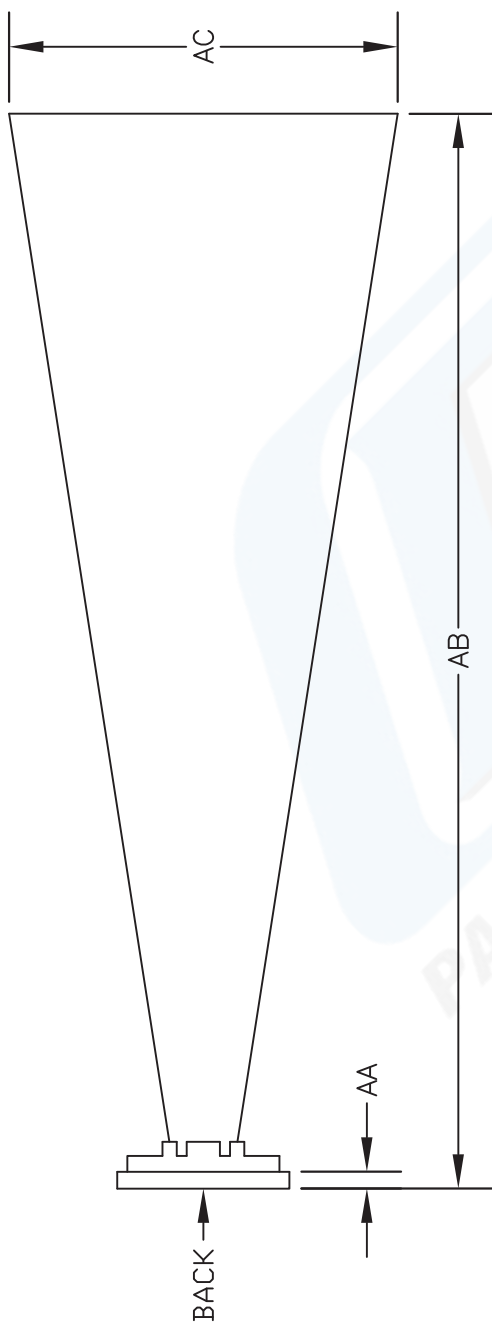
The information contained in this document is accurate to the best of our knowledge and representative of the part described herein. It may be necessary to make modifications to the part and/or the documentation of the part, in order to implement improvements. Pasternack reserves the right to make such changes as required. Unless otherwise stated, all specifications are nominal.

# PE9856-20 CAD Drawing

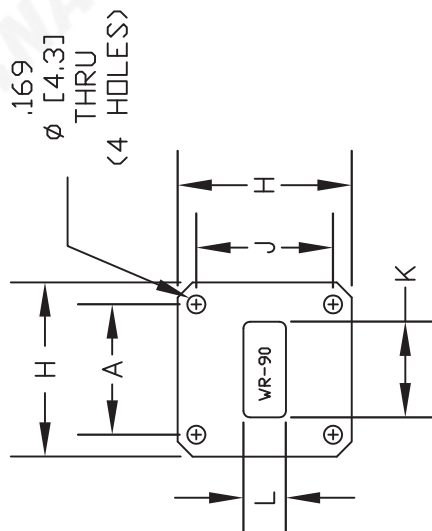
WR-90 Standard Gain Horn Antenna Operates From 8.2 GHz to 12.4 GHz With a Nominal 20 dB Gain WR-90 Input

WR90	Dimension	Inches	mm
A		1.220	30.99
H		1.630	41.40
J		1.280	32.51
K	(±0.003)	0.900	22.86
L	(±0.003)	0.400	10.16

AA	0.160	4.06
AB	10.060	255.52
AC	3.700	93.98
AD	5.000	127.00



FRONT VIEW



BACK VIEW

NOTES:  
 1. UNLESS OTHERWISE SPECIFIED ALL DIMENSIONS ARE NOMINAL.  
 2. ALL SPECIFICATIONS ARE SUBJECT TO CHANGE WITHOUT NOTICE AT ANY TIME.  
 3. DIMENSIONS ARE IN INCHES [mm].

DWG TITLE

**PE9856-20**

REV. -

FSCM NO. 53919

CAD FILE 090903

SCALE N/A

SIZE A

127

**PASTERNAK ENTERPRISES, INC.**

PO BOX 16759, IRVINE, CA 92623

PHONE (949) 261-1920 FAX (949) 261-7451

WEB ADDRESS: [www.pasternack.com](http://www.pasternack.com)

E-MAIL ADDRESS: [sales@pasternack.com](mailto:sales@pasternack.com)

**COAXIAL & FIBER OPTICS**



**PASTERNAK ENTERPRISES®**  
 ESTABLISHED 1972