



WR-112 Waveguide Standard Gain Horn Antenna  
Operating from 7.05 GHz to 10 GHz with a Nominal  
10 dBi Gain with Square Cover Flange

Waveguide Antennas Technical Data Sheet

PE9858B-10

**Features**

- WR-112 Rectangular Waveguide Interface
- 7.05 GHz to 10 GHz
- 10 dBi Nominal Gain
- square Cover Flange

**Applications**

- Antenna Measurements
- Wireless Communication
- Laboratory Use
- Microwave Radio Systems

**Description**

The PE9858B-10 WR-112 Proline series standard gain horn antenna (also known as waveguide horn) from Pasternack has a nominal gain of 10 dBi. This WR-112 standard gain horn has a square type flange. The Pasternack 10 dBi WR-112 horn antenna operates from 7.05 GHz to 10 GHz. The WR-112 PE9858B-10 waveguide horn is US made and TAA compliant. It is part of over 40,000 RF, microwave and millimeter wave components available from Pasternack.

Waveguide standard gain horn antennas are used in a wide variety of applications due to their high power handling capability, low loss, high directivity, and near constant electrical performance. Pasternack's WR-112 standard gain horns are available in 10, 15 and 20 dBi models with pyramidal shape and rectangular input. Our WR-112 standard gain horn Proline antennas can ship worldwide the same day as it is purchased as with our other available RF parts.

**Configuration**

Design	WR-112 Standard Gain Horn
Pattern	Directional
Polarization	Linear

**Electrical Specifications**

Description	Minimum	Typical	Maximum	Units
Frequency Range	7.05		10	GHz
Impedance		50		Ohms
Nominal Gain		10		dB
VSWR		1.5:1		

**Mechanical Specifications**

<b>Size</b>	
Length	2.55 in [64.77 mm]
Width	1.875 in [47.63 mm]
Height	1.875 in [47.63 mm]

**Waveguide Interface**

Waveguide Size	WR-112
Flange Type	Square Cover

Click the following link (or enter part number in "SEARCH" on website) to obtain additional part information including price, inventory and certifications: [WR-112 Waveguide Standard Gain Horn Antenna Operating from 7.05 GHz to 10 GHz with a Nominal 10 dBi Gain with Square Cover Flange PE9858B-10](#)



WR-112 Waveguide Standard Gain Horn Antenna  
Operating from 7.05 GHz to 10 GHz with a Nominal  
10 dBi Gain with Square Cover Flange

Waveguide Antennas Technical Data Sheet

PE9858B-10

Body Material and Plating

Aluminum

**Compliance Certifications** (see [product page](#) for current document)

**Plotted and Other Data**

WR-112 Waveguide Standard Gain Horn Antenna Operating from 7.05 GHz to 10 GHz with a Nominal 10 dBi Gain with Square Cover Flange from Pasternack Enterprises has same day shipment for domestic and International orders. Our RF, microwave and millimeter wave products maintain a 99.4% availability and are part of the broadest selection in the industry.

Click the following link (or enter part number in "SEARCH" on website) to obtain additional part information including price, inventory and certifications: [WR-112 Waveguide Standard Gain Horn Antenna Operating from 7.05 GHz to 10 GHz with a Nominal 10 dBi Gain with Square Cover Flange PE9858B-10](#)

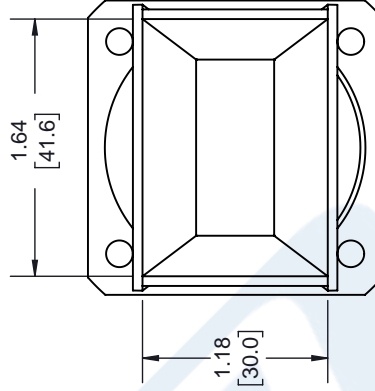
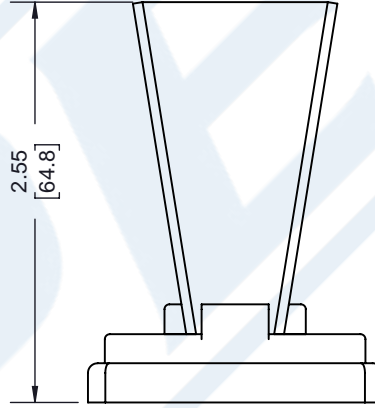
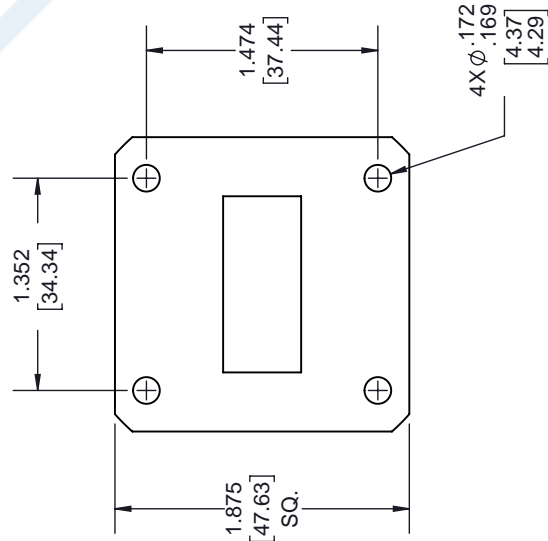
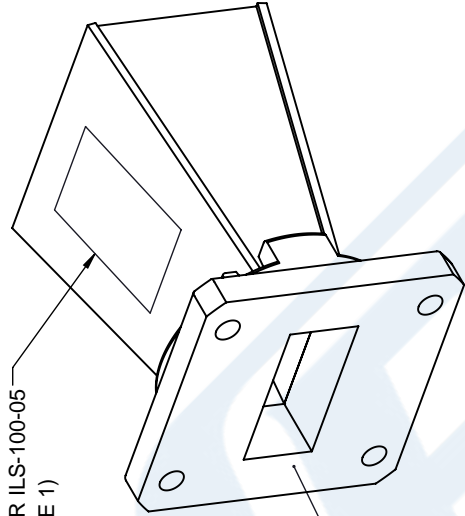
URL: <https://www.pasternack.com/wr-112-waveguide-gain-horn-antenna-10db-square-flange-pe9858b-10-p.aspx>

The information contained in this document is accurate to the best of our knowledge and representative of the part described herein. It may be necessary to make modifications to the part and/or the documentation of the part, in order to implement improvements. Pasternack reserves the right to make such changes as required. Unless otherwise stated, all specifications are nominal. Pasternack does not make any representation or warranty regarding the suitability of the part described herein for any particular purpose, and Pasternack does not assume any liability arising out of the use of any part or documentation.

# PE9858B-10 CAD Drawing

WR-112 Waveguide Standard Gain Horn Antenna Operating from 7.05 GHz to 10 GHz with a Nominal 10 dBi Gain with Square Cover Flange

REVISIONS			
REV.	DESCRIPTION	DATE	APPROVED
A	INITIAL RELEASE	11/03/2020	KHIETPAS



UNLESS OTHERWISE SPECIFIED LEADING DIMENSIONS ARE INCHES DIMENSIONS IN [ ] ARE MILLIMETERS

TOLERANCES:  
 .X = ±.2 [5.08] FRACTIONS ± 1/32  
 .XX = ±.02 [ .51] ANGLES ± 1°  
 .XXX = ±.005 [ .13] CABLE LENGTH (L), TOLERANCES:  
 L ≤ 12 [305] = +1 [25] / -0  
 12 [305] < L ≤ 60 [1524] = +2 [51] / -0  
 60 [1524] < L ≤ 120 [3048] = +4 [102] / -0  
 120 [3048] < L ≤ 300 [7620] = +6 [152] / -0  
 300 [7620] < L = +5% / -0

ALL DIMENSIONS SHOWN ARE FOR REFERENCE ONLY.

THIRD-ANGLE PROJECTION

THE INFORMATION AND DESIGN IN THIS DOCUMENT IS THE PROPERTY OF PASTERNAK CORPORATION ALL RIGHTS RESERVED.

SHEET 1 OF 1

SCALE N/A

**PE PASTERNAK**  
 an INFINITE brand

Pasternack Enterprises, Inc.  
 P.O. Box 16759, Irvine, CA 92623.  
 Phone: 1.949.261.1920 | 1.866.727.8376  
 Fax: 1.949.261.7451  
 Website: www.pasternack.com  
 E-mail: sales@pasternack.com

SIZE A CAGE CODE 53919 DRAWN BY BPUCHASKI ITEM NO. PE9858B-10 REV A

NOTES:  
 1. LABEL PER ILS-100-05 (FOR INTERNAL REFERENCE ONLY)  
 LABEL LOCATION FOR REFERENCE ONLY

THESE COMMODITIES, TECHNOLOGY OR SOFTWARE WERE EXPORTED FROM THE UNITED STATES IN ACCORDANCE WITH THE EXPORT ADMINISTRATION REGULATIONS. DIVERSION CONTRARY TO U.S. LAW PROHIBITED.