



## WR-229 CPR-229G Grooved Flange to N Female Waveguide to Coax Adapter Operating from 3.3 GHz to 4.9 GHz

### Waveguide to Coax Adapters Technical Data Sheet

PE9877

#### Features

- S-C Band, 3.3 to 4.9 GHz Frequency Range
- WR-229 Waveguide Interface with CPR-229G Flange
- N Female Coaxial Interface
- Comprehensive waveguide offerings also include E-Bends, H-Bends, Sections, Filters, Terminations, Couplers, and more.

#### Description

The PE9877 is a waveguide to coaxial adapter operating in the S-C band with a 3.3 to 4.9 GHz frequency range. This adapter offers a WR-229 waveguide interface size coupled with precision tolerance CPR-229G flange. The PE9877 is constructed of aluminum to ensure durability and repeatable RF performance. The coaxial connector offered by this adapter uses a N type Female connector and the package is REACH and RoHS compliant.

#### Configuration

Waveguide Size	WR-229
Flange	CPR-229G
RF Connector	N Female
Impedance	50 Ohms
Body Geometry	Right Angle

#### Electrical Specifications

Description	Minimum	Typical	Maximum	Units
Frequency Range	3.3		4.9	GHz
VSWR			1.3:1	

#### Mechanical Specifications

<b>Size</b>	
Length	3.88 in [98.55 mm]
Width	3.21 in [81.53 mm]
Height	2.18 in [55.37 mm]
Weight	0.615 lbs [278.96 g]

#### RF Connector

Connector Type	N Female
Body Material and Plating	Stainless Steel

#### Waveguide Interface

Waveguide Type	WR-229
Flange Type	CPR-229G
Body Material and Plating	Aluminum

Click the following link (or enter part number in "SEARCH" on website) to obtain additional part information including price, inventory and certifications: [WR-229 CPR-229G Grooved Flange to N Female Waveguide to Coax Adapter Operating from 3.3 GHz to 4.9 GHz PE9877](#)



## WR-229 CPR-229G Grooved Flange to N Female Waveguide to Coax Adapter Operating from 3.3 GHz to 4.9 GHz

### Waveguide to Coax Adapters Technical Data Sheet

PE9877

**Compliance Certifications** (see [product page](#) for current document)

#### Plotted and Other Data

Notes:

- Values at +25 °C, sea level unless stated otherwise

WR-229 CPR-229G Grooved Flange to N Female Waveguide to Coax Adapter Operating from 3.3 GHz to 4.9 GHz from Pasternack Enterprises has same day shipment for domestic and International orders. Our RF, microwave and millimeter wave products maintain a 99.4% availability and are part of the broadest selection in the industry.

Click the following link (or enter part number in "SEARCH" on website) to obtain additional part information including price, inventory and certifications: [WR-229 CPR-229G Grooved Flange to N Female Waveguide to Coax Adapter Operating from 3.3 GHz to 4.9 GHz PE9877](#)

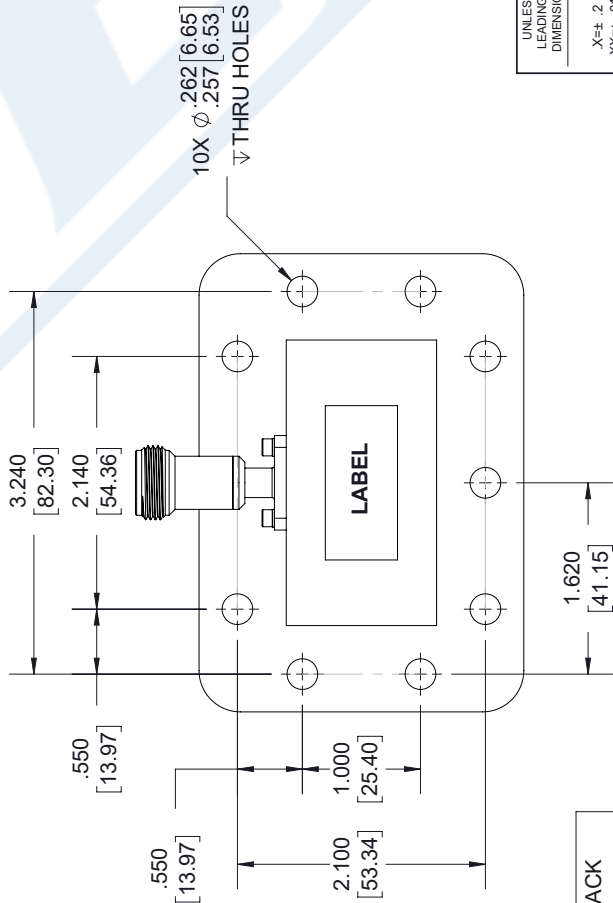
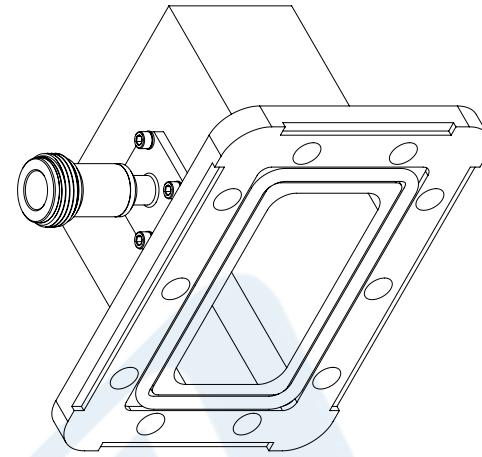
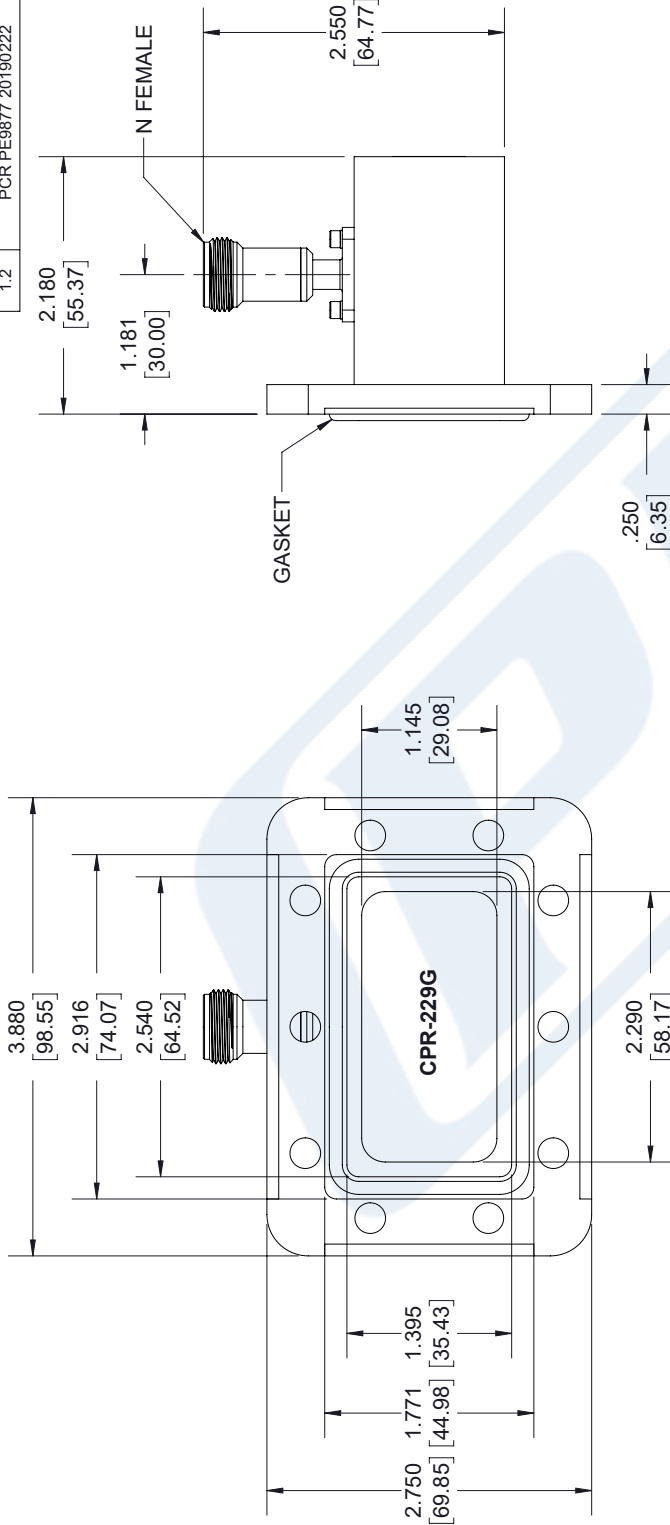
URL: <https://www.pasternack.com/cpr-229g-n-female-waveguide-coax-adapter-3.3-4.9-ghz-grooved-pe9877-p.aspx>

The information contained in this document is accurate to the best of our knowledge and representative of the part described herein. It may be necessary to make modifications to the part and/or the documentation of the part, in order to implement improvements. Pasternack reserves the right to make such changes as required. Unless otherwise stated, all specifications are nominal. Pasternack does not make any representation or warranty regarding the suitability of the part described herein for any particular purpose, and Pasternack does not assume any liability arising out of the use of any part or documentation.

# PE9877 CAD Drawing

WR-229 CPR-229G Grooved Flange to N Female Waveguide to Coax Adapter Operating from 3.3 GHz to 4.9 GHz

REVISIONS			
REV.	DESCRIPTION	DATE	APPROVED
1.2	PCR PE9877 20190222	03/13/19	J.GARCIA



**LABEL:**

PASTERNAK  
PE9877 CPR-229G  
3.3 ~ 4.9 GHz  
D/C: YYWW

UNLESS OTHERWISE SPECIFIED LEADING DIMENSIONS ARE INCHES DIMENSIONS IN [ ] ARE MILLIMETERS	
TOLERANCES:	FRACTIONS
X±.2 [5.08]	±.132
.XX±.01 [0.25]	
.XXX±.005 [0.13]	ANGLES ± 1°
ALL DIMENSIONS SHOWN ARE FOR REFERENCE ONLY.	
THIRD-ANGLE PROJECTION	

**PE PASTERNAK**  
an INFINITO brand

Pasternack Enterprises, Inc.  
P.O. Box 16759, Irvine, CA 92623.  
Phone: 1.949.261.1920 | 1.866.727.8376  
Fax: 1.949.261.7451  
www.pasternack.com | e-mail: sales@pasternack.com

THE INFORMATION AND DESIGN IN THIS DOCUMENT IS THE PROPERTY OF PASTERNAK CORPORATION. ALL RIGHTS RESERVED.

SHEET 1 OF 1  
SCALE N/A

SIZE [CAGE] DRAWN BY PART NUMBER REV  
A 53919 K.DANG PE9877 A

THESE COMMODITIES, TECHNOLOGY OR SOFTWARE WERE EXPORTED FROM THE UNITED STATES IN ACCORDANCE WITH THE EXPORT ADMINISTRATION REGULATIONS. DIVERSION CONTRARY TO U.S. LAW PROHIBITED.