



Horn Antenna Antenna Operates From 50 GHz to 75 GHz With a Nominal 20 dBi Gain WR-15 Input

TECHNICAL DATA SHEET

PE9881-20

Horn Antenna Antenna Operates From 50 GHz to 75 GHz With a Nominal 20 dBi Gain WR-15 Input

Configuration

Design	Horn Antenna
Frequency Range, GHz	50 to 75
Interface 1	WR-15
Interface 1 Specification	UG-385/U

Electrical Specifications

Nominal Gain, dBi	20
-------------------	----

Mechanical Specifications

Size

Length, in [mm]	1.81 [45.97]
Width, in [mm]	1.07 [27.18]
Height, in [mm]	1.07 [27.18]
Weight, lbs [g]	0.188 [85.28]

Compliance Certifications (visit www.Pasternack.com for current document)

RoHS Compliant	Yes
----------------	-----

Plotted and Other Data

2 Dimensional OML Drawing	PE9881-20
Notes:	Values at 25 °C, sea level Beam Pattern 20 Degrees

Horn Antenna Antenna Operates From 50 GHz to 75 GHz With a Nominal 20 dBi Gain WR-15 Input from Pasternack Enterprises has same day shipment for domestic and International orders. Our RF, microwave and fiber optic products maintain a 99% availability and are part of the broadest selection in the industry.

Click the following link (or enter part number in "SEARCH" on website) to obtain additional part information including price, inventory and certifications: [Horn Antenna Antenna Operates From 50 GHz to 75 GHz With a Nominal 20 dBi Gain WR-15 Input PE9881-20](http://www.pasternack.com/horn-antenna-50-75-ghz-nominal-20-dbi-gain-wr-15-pe9881-20)

URL: <http://www.pasternack.com/horn-antenna-50-75-ghz-nominal-20-dbi-gain-wr-15-pe9881-20-p.aspx>

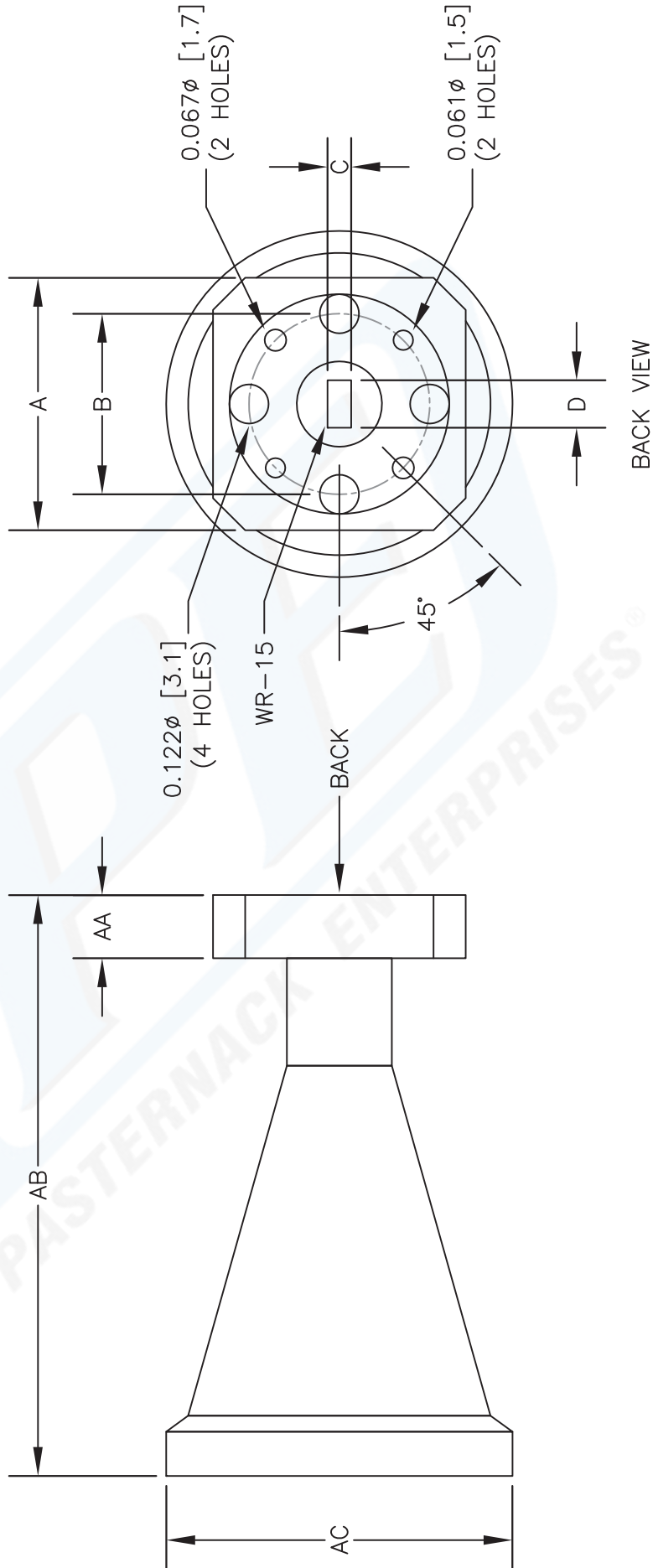
The information contained in this document is accurate to the best of our knowledge and representative of the part described herein. It may be necessary to make modifications to the part and/or the documentation of the part, in order to implement improvements. Pasternack reserves the right to make such changes as required. Unless otherwise stated, all specifications are nominal.

PE9881-20 CAD Drawing

Horn Antenna Antenna Operates From 50 GHz to 75 GHz
With a Nominal 20 dBi Gain WR-15 Input

WR-15		
Dimension	Inches	mm
A	0.787	20.00
B	0.563	14.30
C	0.074	1.88
D	0.148	3.76

AA	0.197	5.00
AB	1.811	46.00
AC	1.079	27.41



DWG TITLE

PE9881-20

NOTES:
1. UNLESS OTHERWISE SPECIFIED ALL DIMENSIONS ARE NOMINAL.
2. ALL SPECIFICATIONS ARE SUBJECT TO CHANGE WITHOUT NOTICE AT ANY TIME.
3. DIMENSIONS ARE IN INCHES [mm].

FSCM NO. 53919

CAD FILE 091313

SCALE N/A

SIZE A

2233



Pasternack Enterprises, Inc.
P.O. Box 16759 | Irvine | CA | 92623
Phone: (949) 261-1920 | Fax: (949) 261-7451
Website: www.pasternack.com | E-Mail: sales@pasternack.com