



698 to 2700 MHz Omni Antenna 6.5 dBi Gain, 8 mm Spring
SMA Male Connector, Black Fiberglass Radome

Antennas Technical Data Sheet

PEANOM1071

Features

- Heavy Duty 8mm Spring Diameter
- Vertically Polarized
- 6.5 dBi Gain
- SMA Male Connector
- 14.75 ft RG58 Cable
- Black Fiberglass Radome

Applications

- Offroad/Overland Vehicles
- Mining/Industrial Heavy Equipment
- Commercial Trucking
- Fleet Management
- Farm Equipment

Description

Pasternack's PEANOM1071 is a vertical polarized antenna that ships same day from our ISO 9001:2015 certified facility. The antenna with 698 to 2700 MHz frequency range has a maximum input VSWR of 1.5. This omni directional antenna has SMA male connectors.

This antenna has a black radome made of fiberglass, an overall length of 31.54 in, width of 2 in, and weighs 3.52 lbs. Pasternack's PEANOM1071 is a single band antenna operating from 698 to 2700 MHz with 6.5 dBi gain.

Pasternack's experts are on hand to assist you with any inquiries. Order this PEANOM1071 antenna 7 days a week. 24 hours a day using our on-line ordering system with no MOQs (minimum order quantity) and same-day shipping.

Configuration

Band Type	Single
Radiation Pattern	Omni Directional
Polarization	Vertical
Connector Type	SMA Male

Electrical Specifications

Description	Minimum	Typical	Maximum	Units
Frequency Range	698		2,700	MHz
Input VSWR			1.5:1	
Impedance		50		Ohms
Gain		6.5		dBi
Input Power			100	Watts

Mechanical Specifications

Radome Material: Fiberglass

Size

Overall Length	31.54 in [801.12 mm]
Width	2 in [50.8 mm]
Height	2 in [50.8 mm]
Weight	3.52 lbs [1.6 kg]

Click the following link (or enter part number in "SEARCH" on website) to obtain additional part information including price, inventory and certifications: [698 to 2700 MHz Omni Antenna 6.5 dBi Gain, 8 mm Spring SMA Male Connector, Black Fiberglass Radome PEANOM1071](#)

698 to 2700 MHz Omni Antenna 6.5 dBi Gain, 8 mm Spring
SMA Male Connector, Black Fiberglass Radome



Antennas Technical Data Sheet

PEANOM1071

Environmental Specifications

Temperature

Operating Range

-40 to +80 deg C

Compliance Certifications (see [product page](#) for current document)

Plotted and Other Data

Notes:

698 to 2700 MHz Omni Antenna 6.5 dBi Gain, 8 mm Spring SMA Male Connector, Black Fiberglass Radome from Pasternack Enterprises has same day shipment for domestic and International orders. Our RF, microwave and millimeter wave products maintain a 99.4% availability and are part of the broadest selection in the industry.

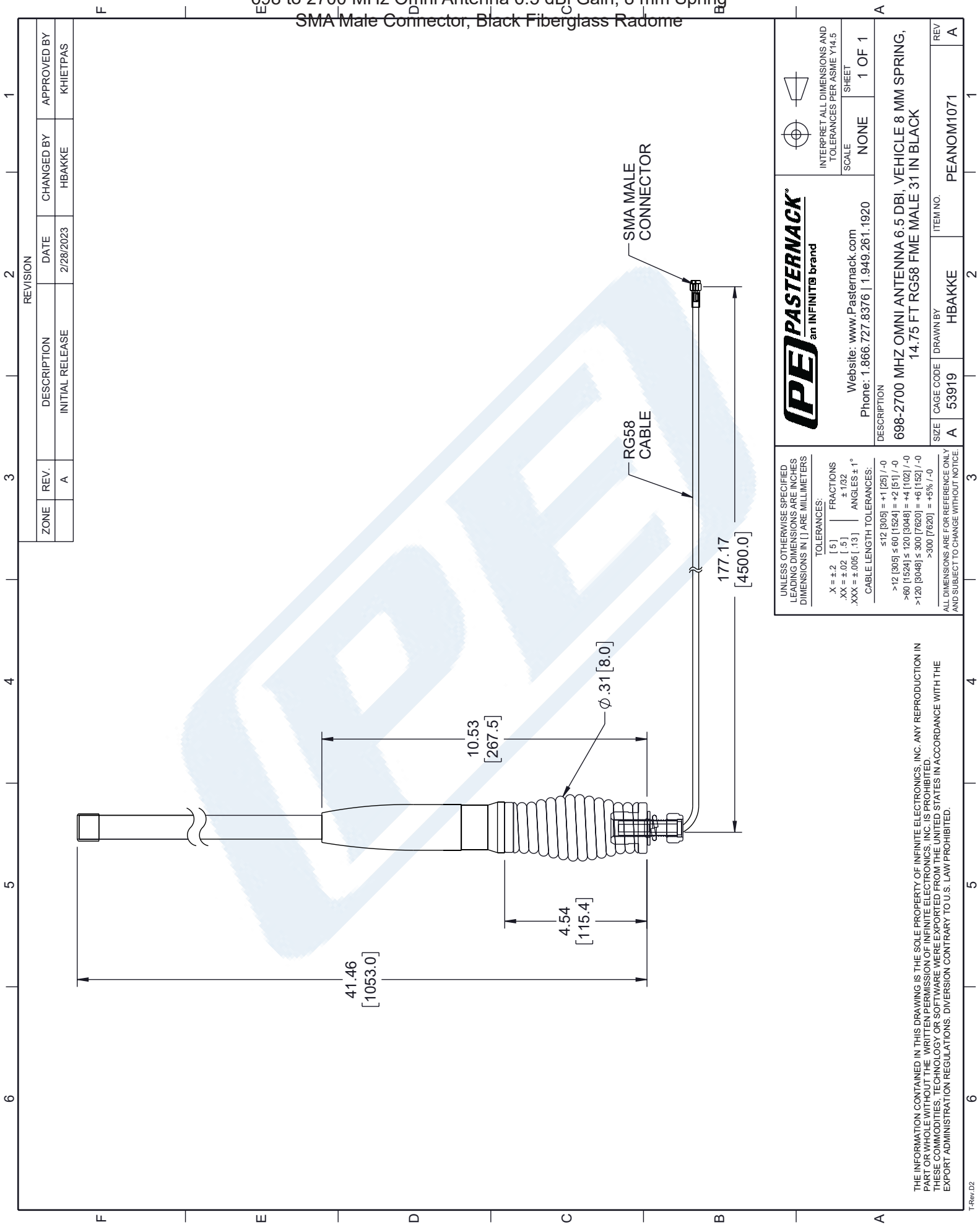
Click the following link (or enter part number in "SEARCH" on website) to obtain additional part information including price, inventory and certifications: [698 to 2700 MHz Omni Antenna 6.5 dBi Gain, 8 mm Spring SMA Male Connector, Black Fiberglass Radome PEANOM1071](#)

URL: <https://www.pasternack.com/698-to-2700-mhz-omni-antenna-6.5-dbi-gain-8-mm-spring-sma-male-connector-black-fiberglass-radome-peanom1071-p.aspx>

The information contained in this document is accurate to the best of our knowledge and representative of the part described herein. It may be necessary to make modifications to the part and/or the documentation of the part, in order to implement improvements. Pasternack reserves the right to make such changes as required. Unless otherwise stated, all specifications are nominal. Pasternack does not make any representation or warranty regarding the suitability of the part described herein for any particular purpose, and Pasternack does not assume any liability arising out of the use of any part or documentation.

PEANOM1071 CAD Drawing

698 to 2700 MHz Omni Antenna 6.5 dBi Gain, 8 mm Spring
SMA Male Connector, Black Fiberglass Radome



ZONE		REV.		DESCRIPTION		DATE		CHANGED BY		APPROVED BY	
		A		INITIAL RELEASE		2/28/2023		HBAKKE		KHIETPAS	

REVISION	
1	
2	
3	
4	
5	
6	

<p>UNLESS OTHERWISE SPECIFIED LEADING DIMENSIONS ARE INCHES DIMENSIONS IN [] ARE MILLIMETERS</p> <p>TOLERANCES:</p> <p>X = ±.2 [5] FRACTIONS ±.1/32 .XX = ±.02 [.5] ANGLES ± 1° .XXX = ±.005 [.13]</p> <p>CABLE LENGTH TOLERANCES:</p> <p>≤12 [305] = +1 [25] / -0 >12 [305] ≤ 60 [1524] = +2 [51] / -0 >60 [1524] ≤ 120 [3048] = +4 [102] / -0 >120 [3048] ≤ 300 [7620] = +6 [152] / -0 >300 [7620] = +5% / -0</p> <p>ALL DIMENSIONS ARE FOR REFERENCE ONLY AND SUBJECT TO CHANGE WITHOUT NOTICE.</p>		<p>PE PASTERNAK an INFINITI® brand</p> <p>Website: www.Pasternack.com Phone: 1.866.727.8376 1.949.261.1920</p>		<p>INTERPRET ALL DIMENSIONS AND TOLERANCES PER ASME Y14.5</p> <p>SCALE: NONE SHEET: 1 OF 1</p>	
DESCRIPTION		ITEM NO.		REV	
698-2700 MHZ OMNI ANTENNA 6.5 DBI, VEHICLE 8 MM SPRING, 14.75 FT RG58 FME MALE 31 IN BLACK		A 53919		A	
DRAWN BY		HBAKKE		PEANOM1071	

THE INFORMATION CONTAINED IN THIS DRAWING IS THE SOLE PROPERTY OF INFINITE ELECTRONICS, INC. ANY REPRODUCTION IN PART OR WHOLE WITHOUT THE WRITTEN PERMISSION OF INFINITE ELECTRONICS, INC. IS PROHIBITED. THESE COMMODITIES, TECHNOLOGY OR SOFTWARE WERE EXPORTED FROM THE UNITED STATES IN ACCORDANCE WITH THE EXPORT ADMINISTRATION REGULATIONS. DIVERSION CONTRARY TO U.S. LAW PROHIBITED.