



5-in-1 Cellular, GPS Combination IoT Antenna FAKRA Jack ABS Radome White IP69K

Antennas Technical Data Sheet

PEANOM1093

Features

- 4 x Cellular 4G/5G
- 1 x GPS L1 / G1
- MIMO Capable
- Color coded FAKRA Jack
- 17 ft Cable Leads
- Indoor/Outdoor IP69K Rated
- UV Stabilized White ABS

Applications

- Public Safety
- Emergency Services
- Mobile Base Stations
- Autonomous Vehicles
- Fleet Management
- Smart Cities
- Smart Utilities
- Industrial IoT

Description

The Pasternack PEANOM1093 is a 5-in-1 combination antenna designed for public safety, emergency services, mobile base stations, autonomous vehicles, fleet management, smart cities, smart utilities, or industrial IoT applications. This vertically polarized omnidirectional antenna has color-coded FAKRA female connectors with 17 feet cable leads. Our high-quality mobile antenna with 5 ports has a typical input VSWR of 2:1.

The IoT combination antenna from Pasternack has an overall length of 7 inches, width of 7 inches, and weight of 4 lbs. This PEANOM1093 mobile antenna is IP69K-rated and has a white-colored radome made of UV-stabilized ABS. The 4 cellular, 1 GPS combination antenna has an impedance of 50 Ohms and a maximum input power of 10 Watts.

Our vertically polarized mobile antenna can operate at temperatures ranging from -40 to 70 degrees C. This MIMO-capable IoT antenna features four 4G/5G, and one L1/G1 GPS band elements in one radome. Emergency services, first responders, and fleets can rely on our 5-in-1 combination antenna to maintain a secure link between vehicles and dispatch centers.

Configuration

| | |
|-------------------|------------------|
| Design | Mobile |
| Radiation Pattern | Omni Directional |
| Polarization | Vertical |
| Connector Type | FAKRA Female |
| Number of Ports | 5 |

Electrical Specifications

| Description | Minimum | Typical | Maximum | Units |
|-------------|---------|---------|---------|-------|
| Input VSWR | | 2:1 | | |
| Impedance | | 50 | | Ohms |
| Input Power | | | 10 | Watts |

Click the following link (or enter part number in "SEARCH" on website) to obtain additional part information including price, inventory and certifications: [5-in-1 Cellular, GPS Combination IoT Antenna FAKRA Jack ABS Radome White IP69K PEANOM1093](#)



5-in-1 Cellular, GPS Combination IoT Antenna
FAKRA Jack ABS Radome White IP69K

Antennas Technical Data Sheet

PEANOM1093

| Cellular Specifications | | | | | |
|--------------------------------|--------------------------|-------------|-------------|-------------|-----|
| Frequency Range | 617 - 960 | 1690 - 2700 | 3300 - 4200 | 4900 - 6000 | MHz |
| Peak Gain | 4 | 6 | 7 | 8 | dBi |
| Port Count | 4 | | | | |
| Cable Type | RG58 | | | | |
| Cable Length | 17 [5] | | | | |
| Connector Type | FAKRA Jack | | | | |
| Connector Color | Bordeaux | | | | |
| Connector Code | D | | | | |
| GPS Specifications | | | | | |
| Frequency Range | 1562 - 1612 | | | | MHz |
| VSWR | <2.0:1 ± 4 MHz | | | | |
| LNA Gain | 26 | | | | dB |
| Out of band rejection | >40 dB (@ > +/- 100 MHz) | | | | |
| Typical Noise Figure | ≤ 2.7 | | | | dB |
| Notch Filter rejection @787MHz | 24 | | | | dB |
| Operating Voltage | 3 - 5 | | | | VDC |
| Typical Current | 15 | | | | mA |
| Cable Type / Length | RG174 / 17 ft [5 m] | | | | |
| Connector Type | FAKRA Jack | | | | |
| Connector Color / Code | Blue / C | | | | |

Mechanical Specifications

| | |
|-----------------|--------------------|
| Radome Material | UV Stabilized ABS |
| Size | |
| Overall Length | 7 in [177.8 mm] |
| Width | 7 in [177.8 mm] |
| Height | 3.15 in [80.01 mm] |
| Weight | 4 lbs [1.81 kg] |

Environmental Specifications

| | |
|--------------------|------------------|
| Temperature | |
| Operating Range | -40 to +70 deg C |
| Ingress Protection | IP69K |

Click the following link (or enter part number in "SEARCH" on website) to obtain additional part information including price, inventory and certifications: [5-in-1 Cellular, GPS Combination IoT Antenna FAKRA Jack ABS Radome White IP69K PEANOM1093](#)



5-in-1 Cellular, GPS Combination IoT Antenna
FAKRA Jack ABS Radome White IP69K

Antennas Technical Data Sheet

PEANOM1093

Compliance Certifications (see [product page](#) for current document)

Plotted and Other Data

Notes:

5-in-1 Cellular, GPS Combination IoT Antenna FAKRA Jack ABS Radome White IP69K from Pasternack Enterprises has same day shipment for domestic and International orders. Our RF, microwave and millimeter wave products maintain a 99.4% availability and are part of the broadest selection in the industry.

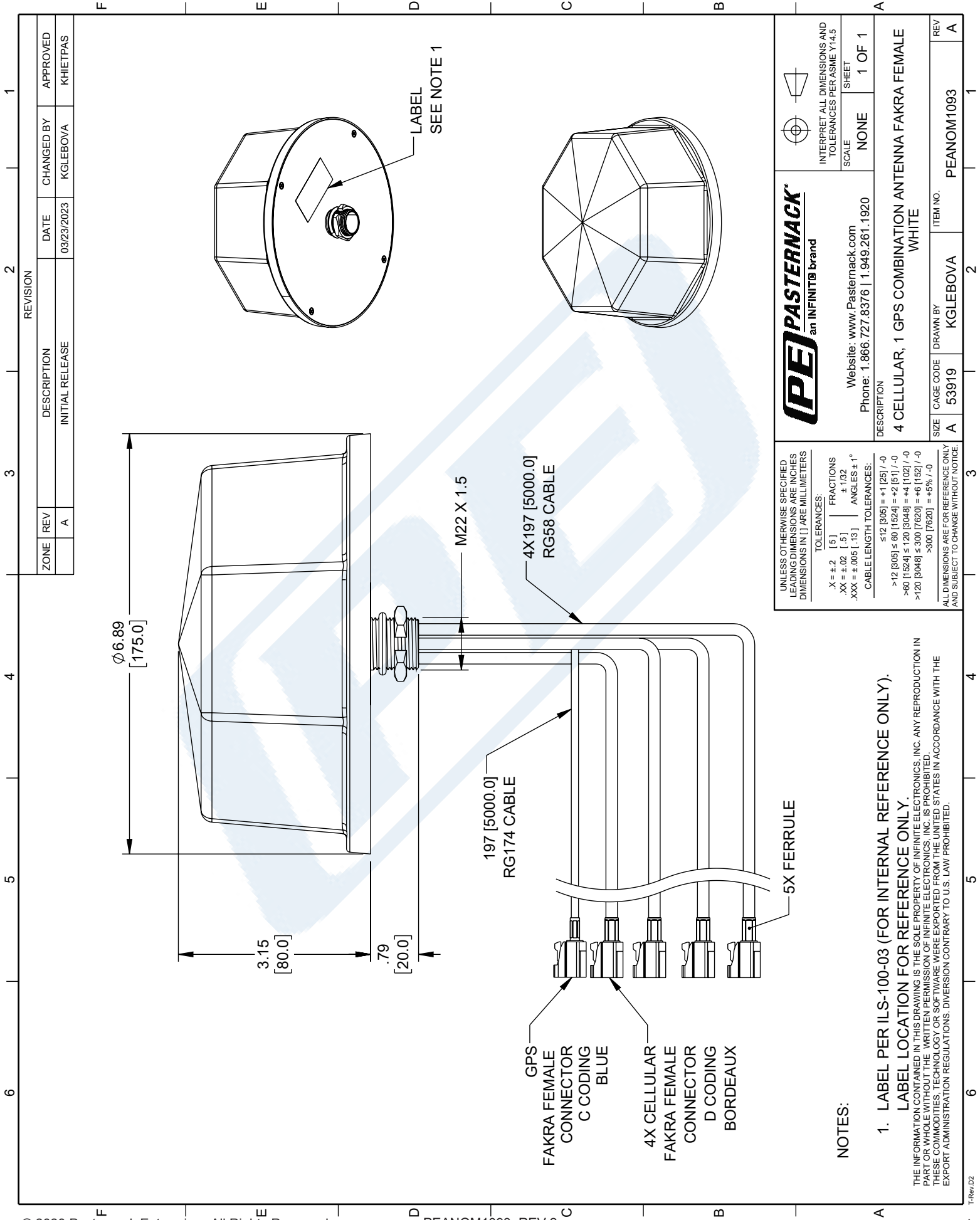
Click the following link (or enter part number in "SEARCH" on website) to obtain additional part information including price, inventory and certifications: [5-in-1 Cellular, GPS Combination IoT Antenna FAKRA Jack ABS Radome White IP69K PEANOM1093](#)

URL: <https://www.pasternack.com/band-mobile-antenna-fakra-female-connector-peanom1093-p.aspx>

The information contained in this document is accurate to the best of our knowledge and representative of the part described herein. It may be necessary to make modifications to the part and/or the documentation of the part, in order to implement improvements. Pasternack reserves the right to make such changes as required. Unless otherwise stated, all specifications are nominal. Pasternack does not make any representation or warranty regarding the suitability of the part described herein for any particular purpose, and Pasternack does not assume any liability arising out of the use of any part or documentation.

PEANOM1093 CAD Drawing

5-in-1 Cellular, GPS Combination IoT Antenna FAKRA Jack ABS Radome White IP69K



| ZONE | REV | DESCRIPTION | DATE | CHANGED BY | APPROVED |
|------|-----|-----------------|------------|------------|----------|
| | A | INITIAL RELEASE | 03/23/2023 | KGLEBOVA | KHIETPAS |

PE PASTERNAK
an INFINITI® brand

Website: www.Pasternack.com
Phone: 1.866.727.8376 | 1.949.261.1920

UNLESS OTHERWISE SPECIFIED LEADING DIMENSIONS ARE INCHES DIMENSIONS IN [] ARE MILLIMETERS

TOLERANCES:

| | | | |
|--------------|-------|-------------|-------|
| X = ±.2 | [.5] | FRACTIONS | |
| .XX = ±.02 | [.5] | | ±.102 |
| .XXX = ±.005 | [.13] | ANGLES ± 1° | |

CABLE LENGTH TOLERANCES:

| | | |
|--------------------------|-----------|------|
| ≤12 [305] | ±.1 [25] | / -0 |
| >12 [305] ≤ 60 [1524] | ±.2 [51] | / -0 |
| >60 [1524] ≤ 120 [3048] | ±.4 [102] | / -0 |
| >120 [3048] ≤ 300 [7620] | ±.6 [152] | / -0 |
| >300 [7620] | ±.5% | / -0 |

ALL DIMENSIONS ARE FOR REFERENCE ONLY AND SUBJECT TO CHANGE WITHOUT NOTICE.

INTERPRET ALL DIMENSIONS AND TOLERANCES PER ASME Y14.5

SCALE: NONE SHEET: 1 OF 1

DESCRIPTION: 4 CELLULAR, 1 GPS COMBINATION ANTENNA FAKRA FEMALE WHITE

SIZE: A CAGE CODE: A 53919 DRAWN BY: KGLEBOVA ITEM NO.: PEANOM1093 REV: A

NOTES:

1. LABEL PER ILS-100-03 (FOR INTERNAL REFERENCE ONLY). LABEL LOCATION FOR REFERENCE ONLY.

THE INFORMATION CONTAINED IN THIS DRAWING IS THE SOLE PROPERTY OF INFINITE ELECTRONICS, INC. ANY REPRODUCTION IN PART OR WHOLE WITHOUT THE WRITTEN PERMISSION OF INFINITE ELECTRONICS, INC. IS PROHIBITED. THESE COMMODITIES, TECHNOLOGY OR SOFTWARE WERE EXPORTED FROM THE UNITED STATES IN ACCORDANCE WITH THE EXPORT ADMINISTRATION REGULATIONS. DIVERSION CONTRARY TO U.S. LAW PROHIBITED.