



WR-15 Waveguide Horn Antenna Operating from 50 GHz to 75 GHz with a Nominal 2 dBi Gain with UG-385/U Round Cover Flange

Specialty Waveguide Antennas Technical Data Sheet

PEW15A001

**Features**

- Full Waveguide Band Operation
- 360° Azimuth Coverage
- 30° Vertical 3 dB Beamwidth
- Vertically Polarized
- Compact and Light Weight

**Applications**

- IEEE 802.11 ab, WiGig
- Communication Links
- EW Systems
- Indoor Local Area Networks

**Description**

Pasternack's PEW15A001 is a vertically polarized WR-15 antenna operating between 50 GHz and 75 GHz and has a standard UG385/U flange. This omni-directional antenna has a 30 degree vertical beam width and a 360 degree horizontal beam width. PEW15A001 is ideal for short range wireless communications, indoor networks, high frequency applications and millimeter wave 60 GHz development systems.

**Configuration**

Design: WR-15 Standard Gain Horn  
 Pattern: Omni Directional  
 Polarization: Vertical  
 Flange: UG-385/U Round Cover

**Electrical Specifications**

Description	Minimum	Typical	Maximum	Units
Frequency Range	50		75	GHz
Nominal Gain		2		dBi
Gain Flatness		2		dBi
Horizontal 3dB Beam Width		360		Degrees
Vertical 3dB Beam Width		30		Degrees
VSWR		2:1		
Input Power (CW)			50	Watts

**Mechanical Specifications**

**Size**  
 Length: 1.14 in [28.96 mm]  
 Width: 1.14 in [28.96 mm]  
 Height: 0.65 in [16.51 mm]  
 Body Material and Plating: Aluminum

Click the following link (or enter part number in "SEARCH" on website) to obtain additional part information including price, inventory and certifications: [WR-15 Waveguide Horn Antenna Operating from 50 GHz to 75 GHz with a Nominal 2 dBi Gain with UG-385/U Round Cover Flange PEW15A001](#)



WR-15 Waveguide Horn Antenna Operating from  
50 GHz to 75 GHz with a Nominal 2 dBi Gain  
with UG-385/U Round Cover Flange

Specialty Waveguide Antennas Technical Data Sheet

PEW15A001

**Interface**

Flange Type  
Flange Designation

Round Cover  
UG-385/U

**Environmental Specifications**

**Temperature**

Operating Range

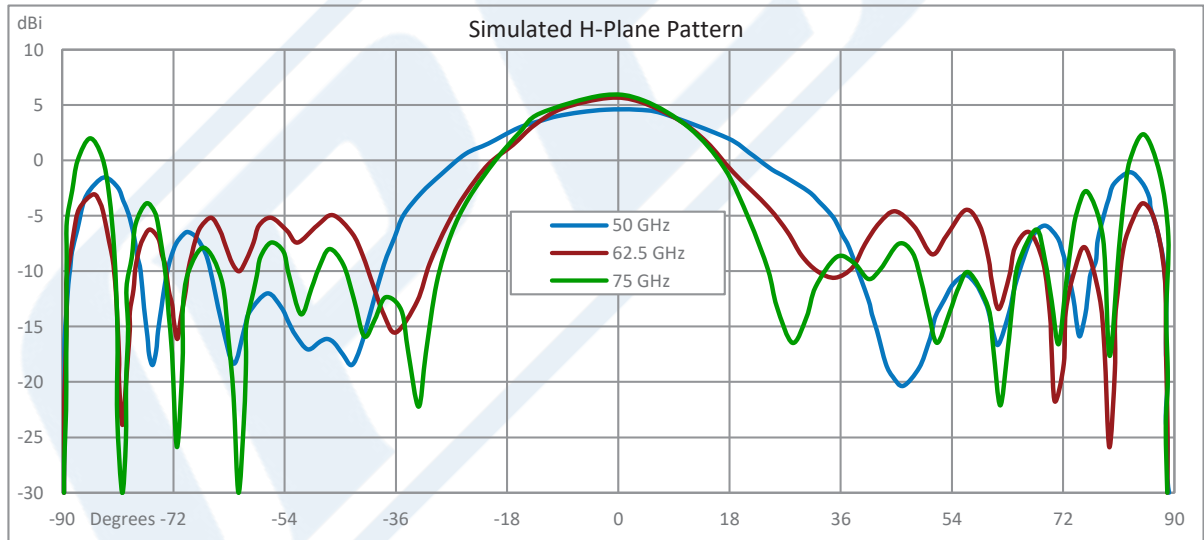
-40 to +85 deg C

**Compliance Certifications** (see [product page](#) for current document)

**Plotted and Other Data**

Notes:

**Typical Performance Data**



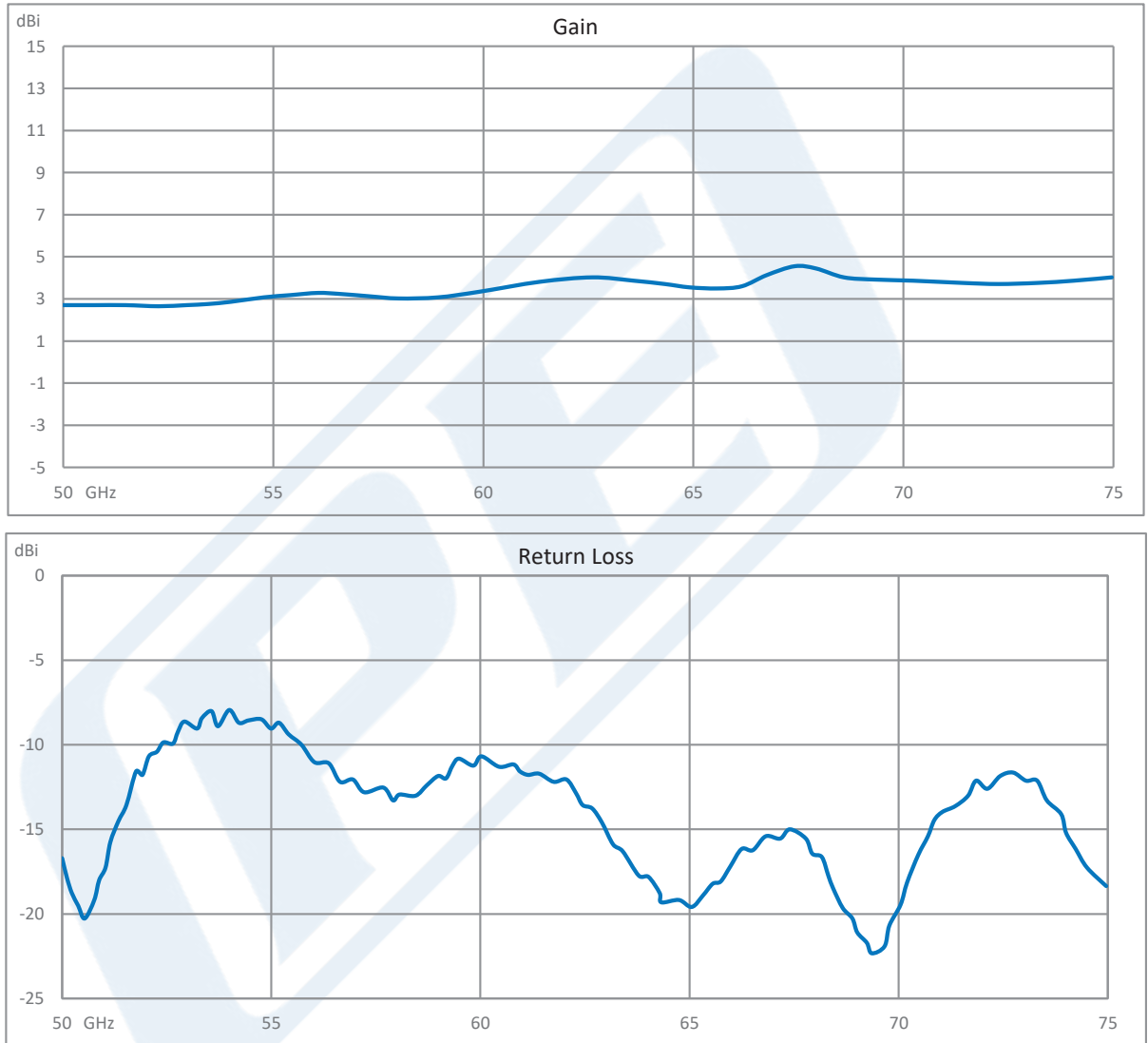
Click the following link (or enter part number in "SEARCH" on website) to obtain additional part information including price, inventory and certifications: [WR-15 Waveguide Horn Antenna Operating from 50 GHz to 75 GHz with a Nominal 2 dBi Gain with UG-385/U Round Cover Flange PEW15A001](#)



WR-15 Waveguide Horn Antenna Operating from 50 GHz to 75 GHz with a Nominal 2 dBi Gain with UG-385/U Round Cover Flange

Specialty Waveguide Antennas Technical Data Sheet

PEW15A001



Click the following link (or enter part number in "SEARCH" on website) to obtain additional part information including price, inventory and certifications: [WR-15 Waveguide Horn Antenna Operating from 50 GHz to 75 GHz with a Nominal 2 dBi Gain with UG-385/U Round Cover Flange PEW15A001](#)



WR-15 Waveguide Horn Antenna Operating from  
50 GHz to 75 GHz with a Nominal 2 dBi Gain  
with UG-385/U Round Cover Flange

Specialty Waveguide Antennas Technical Data Sheet

PEW15A001

WR-15 Waveguide Horn Antenna Operating from 50 GHz to 75 GHz with a Nominal 2 dBi Gain with UG-385/U Round Cover Flange from Pasternack Enterprises has same day shipment for domestic and International orders. Our RF, microwave and millimeter wave products maintain a 99.4% availability and are part of the broadest selection in the industry.

Click the following link (or enter part number in "SEARCH" on website) to obtain additional part information including price, inventory and certifications: [WR-15 Waveguide Horn Antenna Operating from 50 GHz to 75 GHz with a Nominal 2 dBi Gain with UG-385/U Round Cover Flange PEW15A001](https://www.pasternack.com/wr15-waveguide-horn-antenna-75-ghz-2-dbi-ug385-round-flange-pew15a001-p.aspx)

URL: <https://www.pasternack.com/wr15-waveguide-horn-antenna-75-ghz-2-dbi-ug385-round-flange-pew15a001-p.aspx>

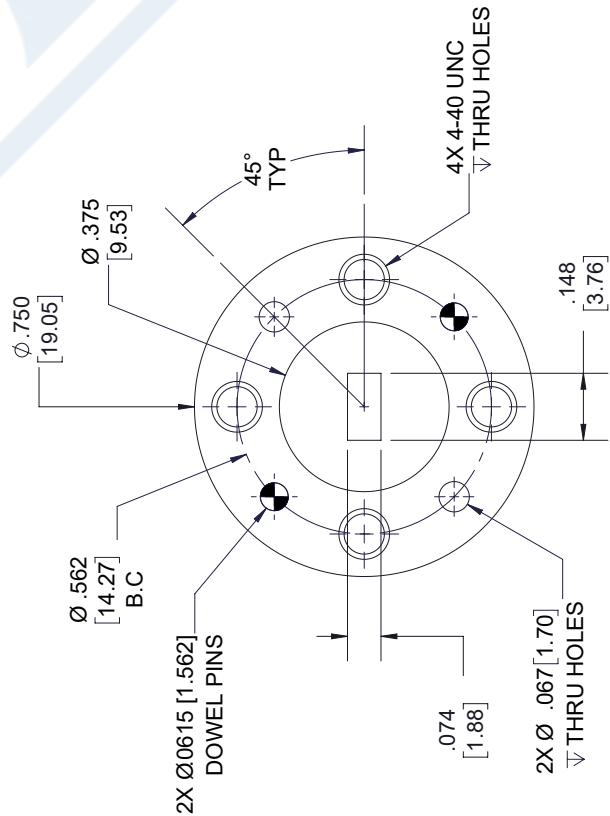
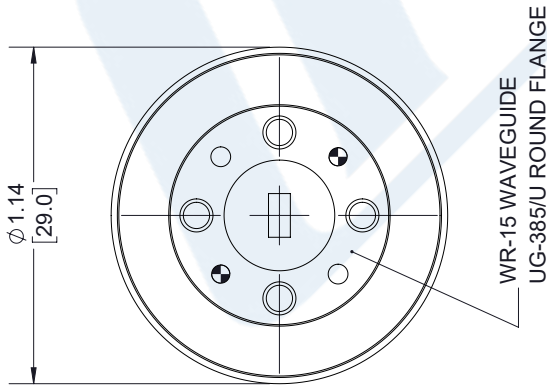
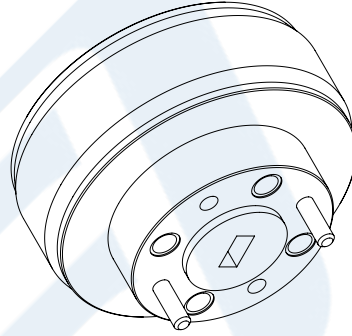
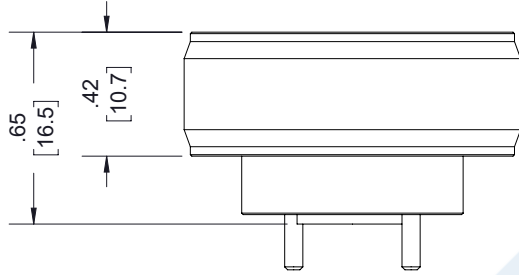
The information contained in this document is accurate to the best of our knowledge and representative of the part described herein. It may be necessary to make modifications to the part and/or the documentation of the part, in order to implement improvements. Pasternack reserves the right to make such changes as required. Unless otherwise stated, all specifications are nominal. Pasternack does not make any representation or warranty regarding the suitability of the part described herein for any particular purpose, and Pasternack does not assume any liability arising out of the use of any part or documentation.

# PEW15A001 CAD Drawing

WR-15 Waveguide Horn Antenna Operating from 50 GHz to 75 GHz  
with a Nominal 2 dBi Gain with UG-385/U Round Cover Flange

### REVISIONS

REV.	DESCRIPTION	DATE	APPROVED
A	INITIAL RELEASE	08/28/19	M.MILLER



### FLANGE DETAIL

UNLESS OTHERWISE SPECIFIED  
LEADING DIMENSIONS ARE INCHES  
DIMENSIONS IN [ ] ARE MILLIMETERS

TOLERANCES:  
X±.2 [5.08] FRACTIONS  
XX±.01 [25] ±.132  
XXX±.005 [13] ANGLES ± 1°

ALL DIMENSIONS SHOWN  
ARE FOR REFERENCE ONLY.

THIRD-ANGLE PROJECTION



Pasternack Enterprises, Inc.  
P.O. Box 16759, Irvine, CA 92623.  
Phone: 1.949.261.1920 | 1.866.727.8376  
Fax: 1.949.261.7451  
www.pasternack.com | e-mail: sales@pasternack.com

THE INFORMATION AND  
DESIGN IN THIS DOCUMENT  
IS THE PROPERTY OF  
PASTERNAK CORPORATION.  
ALL RIGHTS RESERVED.

SHEET 1 OF 1  
SCALE N/A

SIZE	CAGE	DRAWN BY	PART NUMBER	REV
A	53919	K.DANG	PEW15A001	A

PASTERNAK  
PEW15A001  
D/C: YYYY

LABEL