



WR-12 Waveguide Standard Gain Horn Antenna, 60 GHz to 90 GHz Frequency Range, 25 dBi Gain, UG-387/U Flange

Waveguide Antennas Technical Data Sheet

PEWAN1016

**Features**

- Rectangular Waveguide Interface
- 60 GHz to 90 GHz
- 25 dBi Nominal Gain
- UG-387/U Round Cover Flange

**Applications**

- Antenna Measurements
- Wireless Communication
- Laboratory Use
- Microwave Radio Systems

**Description**

Waveguide standard gain horn antennas are used in a wide variety of applications due to their high power handling capability, low loss, high directivity, and near constant electrical performance across a broad bandwidth. Pasternack's PEWAN1016 WR-12 waveguide standard gain horn antenna operating from 60 GHz to 90 GHz with a nominal 25 dBi gain is part of our full line of RF components available for same-day shipping. This Pasternack pyramidal horn antenna has a gold plated brass body and a precision tolerance UG-387/U round cover flange. The PEWAN1016 WR-12 waveguide standard gain horn antenna offers low gain variation across its operating frequency range.

**Configuration**

Design: WR-12 Standard Gain Horn  
 Pattern: Directional  
 Polarization: Linear

**Electrical Specifications**

Description	Minimum	Typical	Maximum	Units
Frequency Range	60		90	GHz
Nominal Gain		25		dBi
Gain	23.5		26	dBi
Horizontal Half Power Beam Width		10		Degrees
Vertical Half Power Beam Width		9		Degrees
VSWR		1.15:1		

**Mechanical Specifications**

**Size**

Length: 4.16 in [105.66 mm]  
 Width: 1.429 in [36.3 mm]  
 Height: 1.17 in [29.72 mm]  
 Weight: 0.059 lbs [26.76 g]

**Waveguide Interface**

Waveguide Size: WR-12  
 Flange Type: Round Cover

Click the following link (or enter part number in "SEARCH" on website) to obtain additional part information including price, inventory and certifications: [WR-12 Waveguide Standard Gain Horn Antenna, 60 GHz to 90 GHz Frequency Range, 25 dBi Gain, UG-387/U Flange PEWAN1016](#)



WR-12 Waveguide Standard Gain Horn Antenna, 60 GHz to 90 GHz Frequency Range, 25 dBi Gain, UG-387/U Flange

Waveguide Antennas Technical Data Sheet

PEWAN1016

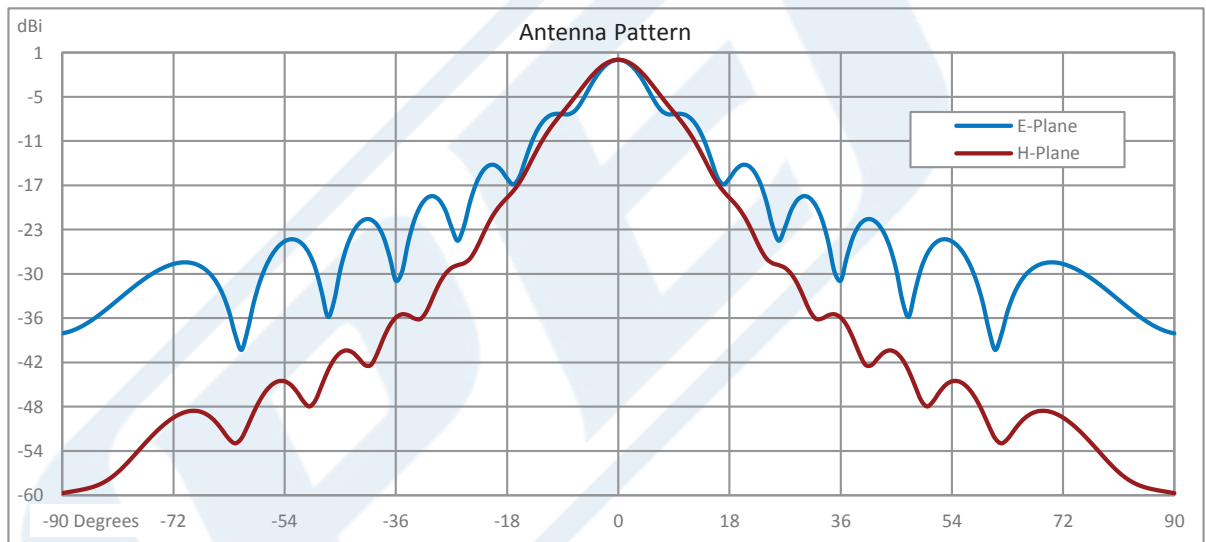
Flange Designation  
Body Material and Plating

UG-387/U  
Brass, Gold

**Compliance Certifications** (see [product page](#) for current document)

**Plotted and Other Data**

**Typical Performance Data**



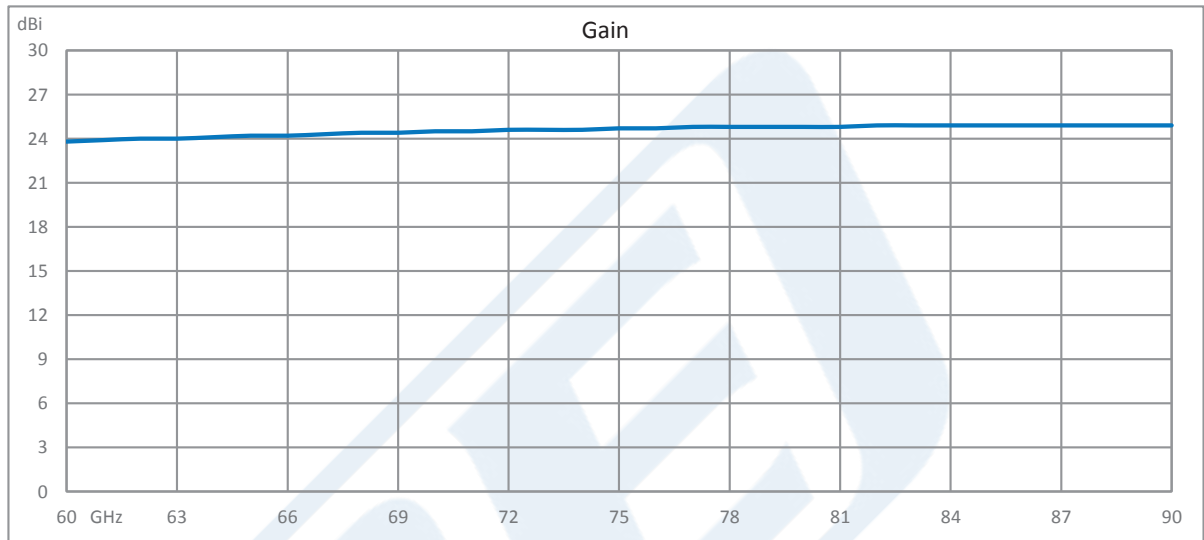
Click the following link (or enter part number in "SEARCH" on website) to obtain additional part information including price, inventory and certifications: [WR-12 Waveguide Standard Gain Horn Antenna, 60 GHz to 90 GHz Frequency Range, 25 dBi Gain, UG-387/U Flange PEWAN1016](#)



WR-12 Waveguide Standard Gain Horn Antenna, 60 GHz to 90 GHz Frequency Range, 25 dBi Gain, UG-387/U Flange

## Waveguide Antennas Technical Data Sheet

PEWAN1016



WR-12 Waveguide Standard Gain Horn Antenna, 60 GHz to 90 GHz Frequency Range, 25 dBi Gain, UG-387/U Flange from Pasternack Enterprises has same day shipment for domestic and International orders. Our RF, microwave and millimeter wave products maintain a 99.4% availability and are part of the broadest selection in the industry.

Click the following link (or enter part number in "SEARCH" on website) to obtain additional part information including price, inventory and certifications: [WR-12 Waveguide Standard Gain Horn Antenna, 60 GHz to 90 GHz Frequency Range, 25 dBi Gain, UG-387/U Flange PEWAN1016](https://www.pasternack.com/wr-12-waveguide-gain-horn-antenna-25dbi-ug-387-round-flange-pewan1016-p.aspx)

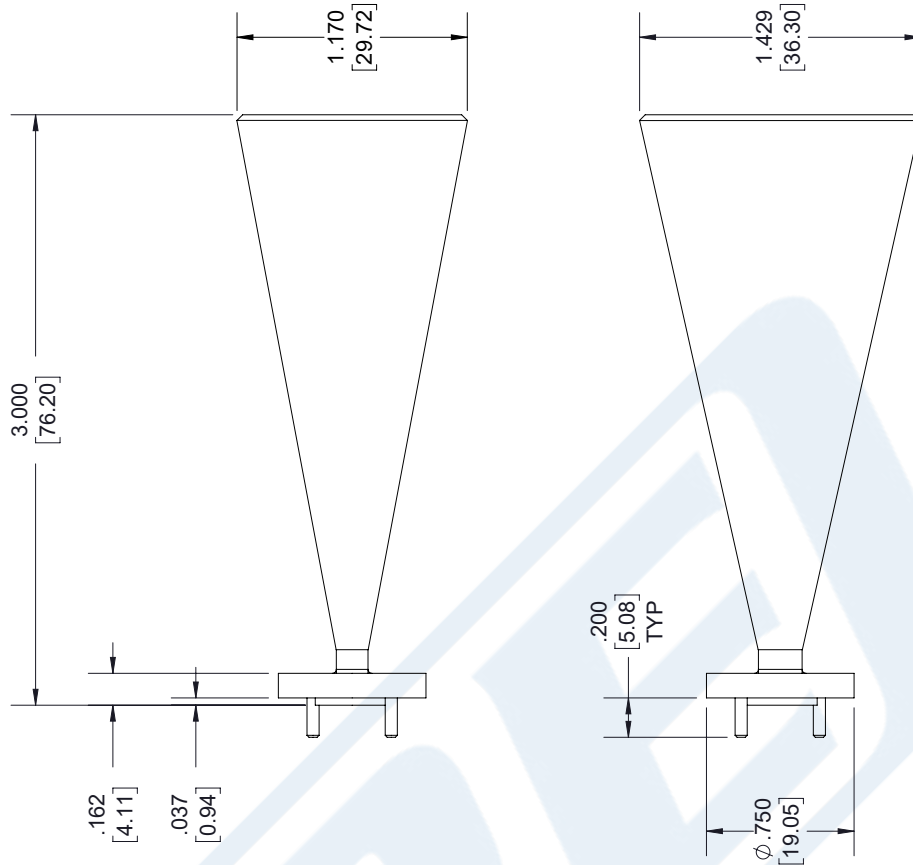
URL: <https://www.pasternack.com/wr-12-waveguide-gain-horn-antenna-25dbi-ug-387-round-flange-pewan1016-p.aspx>

The information contained in this document is accurate to the best of our knowledge and representative of the part described herein. It may be necessary to make modifications to the part and/or the documentation of the part, in order to implement improvements. Pasternack reserves the right to make such changes as required. Unless otherwise stated, all specifications are nominal. Pasternack does not make any representation or warranty regarding the suitability of the part described herein for any particular purpose, and Pasternack does not assume any liability arising out of the use of any part or documentation.

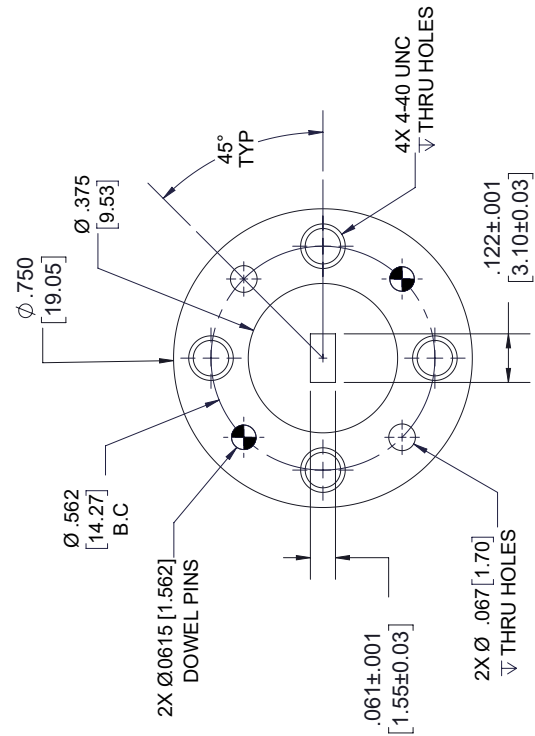
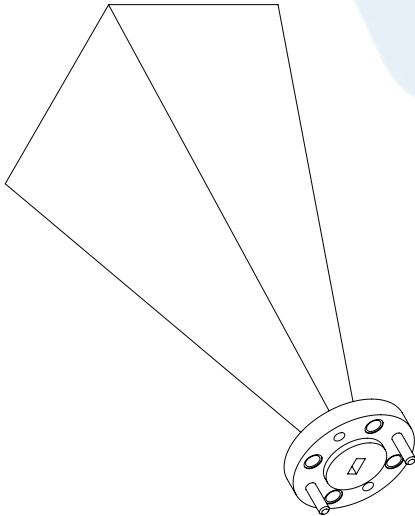
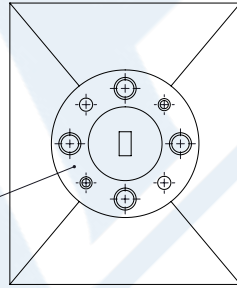
# PEWAN1016 CAD Drawing

WR-12 Waveguide Standard Gain Horn Antenna, 60 GHz to 90 GHz  
Frequency Range, 25 dBi Gain, UG-387/U Flange

REV.	DESCRIPTION	DATE	APPROVED
A	INITIAL RELEASE	2/7/2020	M.MILLER



WR-12 WAVEGUIDE  
UG-387/U ROUND FLANGE



FLANGE DETAIL

UNLESS OTHERWISE SPECIFIED  
LEADING DIMENSIONS ARE IN INCHES  
DIMENSIONS IN [ ] ARE MILLIMETERS

TOLERANCES:  
 .X = ±.2 [5.08] FRACTIONS ±.132  
 .XX = ±.02 [.51] ANGLES ± 1°  
 .XXX = ±.005 [.13] CABLE LENGTH (L) TOLERANCES:  
 L ≤ 12 [305] = +1 [25] / -0  
 12 [305] < L ≤ 60 [1524] = +2 [51] / -0  
 60 [1524] < L ≤ 120 [3048] = +4 [102] / -0  
 120 [3048] < L ≤ 300 [7620] = +6 [152] / -0  
 300 [7620] < L = +5%L / -0

ALL DIMENSIONS SHOWN  
ARE FOR REFERENCE ONLY.

**PE PASTERNAK**  
an INFINITI brand

Pasternack Enterprises, Inc.  
P. O. Box 16759, Irvine, CA 92623.  
Phone: 1.949.261.1920 | 1.866.727.8376  
Fax: 1.949.261.7451  
Website: www.pasternack.com  
E-mail: sales@pasternack.com

ITEM NO. PEWAN1016  
CAGE CODE 53919  
DRAWN BY K.DANG

THIRD-ANGLE PROJECTION

THE INFORMATION AND  
DESIGN IN THIS DOCUMENT  
IS THE PROPERTY OF  
PASTERNAK CORPORATION  
ALL RIGHTS RESERVED.

SHEET 1 OF 1  
SCALE N/A

REV A