



WR-137 UG-344/U Round Cover Flange to SMA
Female Waveguide to Coax Adapter Operating
From 5.85 GHz to 8.2 GHz, C Band

Waveguide to Coax Adapters Technical Data Sheet

PEWCA1014

Features

- C Band
- 5.85 to 8.2 GHz Frequency Range
- WR-137 Waveguide Interface
- Standard UG-344/U Round Cover Flange
- SMA Female RF Interface

Applications

- Test Benches
- Radar
- Satellite
- Microwave Radio Systems
- Military and Space
- Communication Systems

Description

The PEWCA1014 is a waveguide to coaxial adapter operating in the C Band with a 5.85 to 8.2 GHz frequency range. This adapter offers a WR-137 waveguide interface size using a standard Square Cover Flange. The PEWCA1014 is constructed of Copper Alloy and painted to ensure durability. The coaxial connector offered by this adapter uses a SMA Female Nickel Plated Brass Connector.

Configuration

Waveguide Size	WR-137
Flange	UG-344/U Round Cover
RF Connector	SMA Female
Impedance	50 Ohms
Body Geometry	Right Angle

Electrical Specifications

Description	Minimum	Typical	Maximum	Units
Frequency Range	5.85		8.2	GHz
VSWR		1.25:1		

Mechanical Specifications

Weight	0.733 lbs [332.48 g]
RF Connector	
Connector Type	SMA Female
Body Material and Plating	Brass, Nickel
Waveguide Interface	
Waveguide Type	WR-137
Flange Type	Round Cover
Flange Designation	UG-344/U
Body Material and Plating	Copper Alloy, Paint

Click the following link (or enter part number in "SEARCH" on website) to obtain additional part information including price, inventory and certifications: [WR-137 UG-344/U Round Cover Flange to SMA Female Waveguide to Coax Adapter Operating From 5.85 GHz to 8.2 GHz, C Band PEWCA1014](#)



WR-137 UG-344/U Round Cover Flange to SMA
Female Waveguide to Coax Adapter Operating
From 5.85 GHz to 8.2 GHz, C Band

Waveguide to Coax Adapters Technical Data Sheet

PEWCA1014

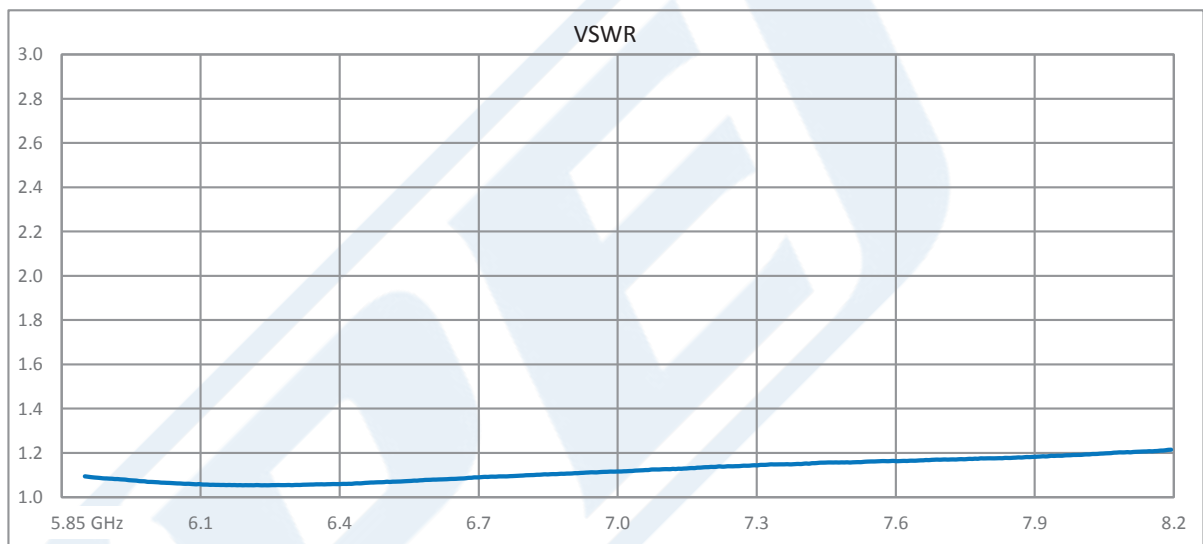
Compliance Certifications (see [product page](#) for current document)

Plotted and Other Data

Notes:

- Values at +25 °C, sea level unless stated otherwise

Typical Performance Data



WR-137 UG-344/U Round Cover Flange to SMA Female Waveguide to Coax Adapter Operating From 5.85 GHz to 8.2 GHz, C Band from Pasternack Enterprises has same day shipment for domestic and International orders. Our RF, microwave and millimeter wave products maintain a 99.4% availability and are part of the broadest selection in the industry.

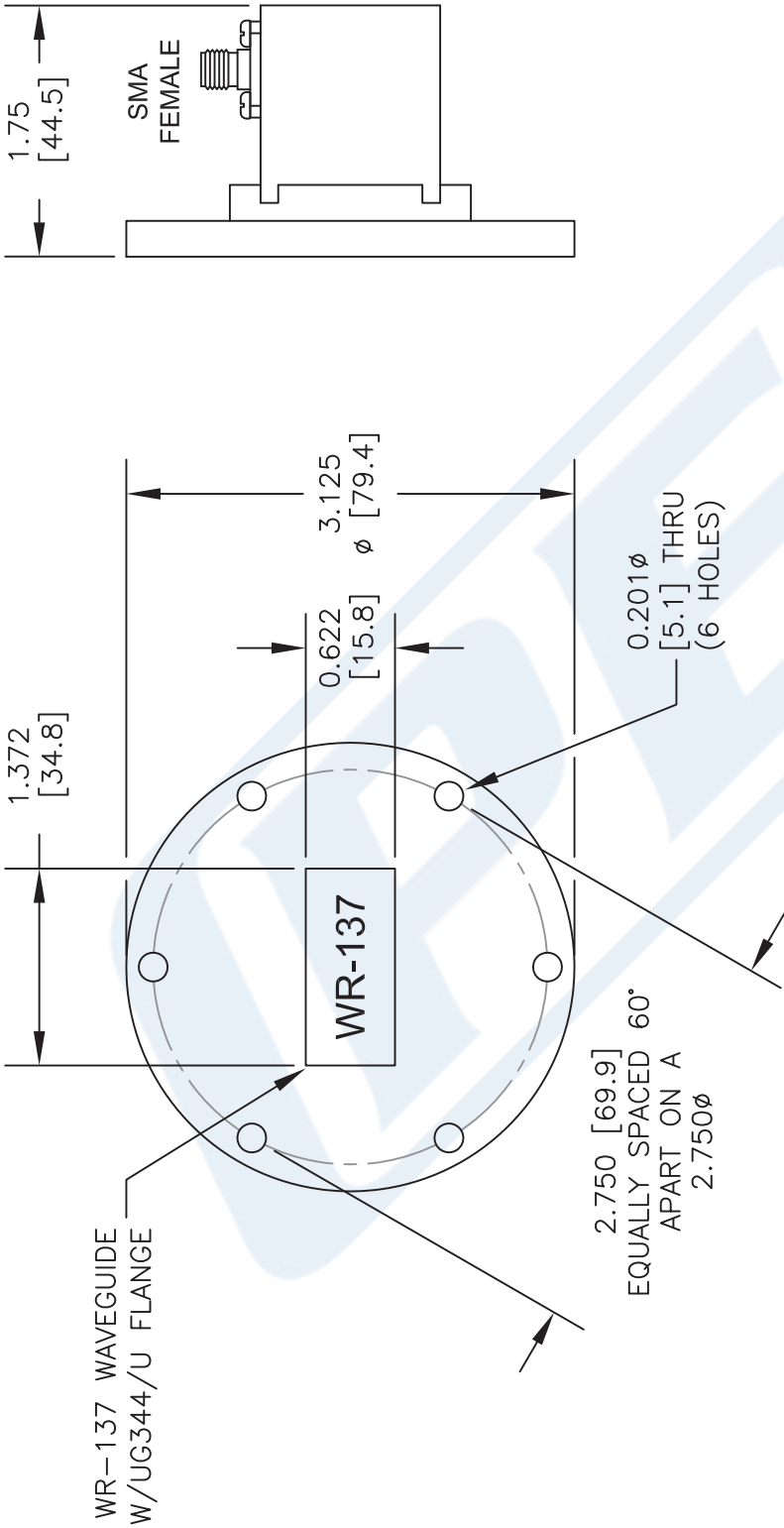
Click the following link (or enter part number in "SEARCH" on website) to obtain additional part information including price, inventory and certifications: [WR-137 UG-344/U Round Cover Flange to SMA Female Waveguide to Coax Adapter Operating From 5.85 GHz to 8.2 GHz, C Band PEWCA1014](#)

URL: <https://www.pasternack.com/wr-137-ug344-round-sma-female-waveguide-coax-adapter-8.2-ghz-pewca1014-p.aspx>

The information contained in this document is accurate to the best of our knowledge and representative of the part described herein. It may be necessary to make modifications to the part and/or the documentation of the part, in order to implement improvements. Pasternack reserves the right to make such changes as required. Unless otherwise stated, all specifications are nominal. Pasternack does not make any representation or warranty regarding the suitability of the part described herein for any particular purpose, and Pasternack does not assume any liability arising out of the use of any part or documentation.

PEWCA1014 CAD Drawing

WR-137 UG-344/U Round Cover Flange to SMA Female Waveguide to Coax Adapter Operating From 5.85 GHz to 8.2 GHz, C Band



WR-137 WAVEGUIDE
W/UG344/U FLANGE

WR-137

2.750 [69.9]
EQUALLY SPACED 60°
APART ON A
2.750φ

0.201φ
[5.1] THRU
(6 HOLES)

3.125
φ [79.4]

1.372
[34.8]

1.75
[44.5]

SMA
FEMALE

UNLESS OTHERWISE SPECIFIED
DIMENSIONS ARE IN INCHES.
DECIMALS ANGLES
.X ±.030 ±1/2 DEG.
.XX ±.015 FRACTIONS
.XXX ±.005 ±1/32

* THESE DIMENSIONS AND TOLERANCES
SUPERSEDE NOTE #1 ON TITLE BLOCK.

DWG TITLE
PEWCA1014

NOTES:
1. UNLESS OTHERWISE SPECIFIED ALL DIMENSIONS ARE NOMINAL.
2. ALL SPECIFICATIONS ARE SUBJECT TO CHANGE WITHOUT NOTICE AT ANY TIME.
3. DIMENSIONS ARE IN INCHES [mm].

PE PASTERNAK®
THE ENGINEER'S RF SOURCE
Pasternack Enterprises, Inc.
P.O. Box 16759 | Irvine | CA | 92623
Phone: (949) 261-1920 | Fax: (949) 261-7451
Website: www.pasternack.com | E-Mail: sales@pasternack.com

FSCM NO. 53919

CAD FILE 092316

SCALE N/A

SIZE A

2233