



WR-90 CMR-90 Flange to N Female Waveguide to Coax Adapter Operating from 8.2 GHz to 12.4 GHz

Waveguide to Coax Adapters Technical Data Sheet

PEWCA1033

**Features**

- X Band
- 8.2 to 12.4 GHz Frequency Range
- WR-90 Waveguide Interface
- CMR-90 Flange
- N Female RF Interface
- Right Angle

**Applications**

- Test Benches
- Radar
- Satellite
- Microwave Radio Systems
- Military and Space
- Communication Systems

**Description**

The PEWCA1033 is a waveguide to coaxial adapter operating in the X Band with a 8.2 to 12.4 GHz frequency range. This adapter offers a WR-90 waveguide interface size using a standard CMR-90 Flange. The PEWCA1033 is constructed of Aluminum Alloy and painted to ensure durability. The coaxial connector offered by this adapter uses a N Female Connector.

**Configuration**

Waveguide Size	WR-90
Flange	CMR-90
RF Connector	N Female
Impedance	50 Ohms
Body Geometry	Right Angle

**Electrical Specifications**

Description	Minimum	Typical	Maximum	Units
Frequency Range	8.2		12.4	GHz
VSWR		1.25:1		

**Mechanical Specifications**

<b>RF Connector</b>	
Connector Type	N Female
<b>Waveguide Interface</b>	
Waveguide Type	WR-90
Flange Type	CMR-90
Body Material and Plating	Aluminum, Paint

Click the following link (or enter part number in "SEARCH" on website) to obtain additional part information including price, inventory and certifications: [WR-90 CMR-90 Flange to N Female Waveguide to Coax Adapter Operating from 8.2 GHz to 12.4 GHz PEWCA1033](#)



## WR-90 CMR-90 Flange to N Female Waveguide to Coax Adapter Operating from 8.2 GHz to 12.4 GHz

### Waveguide to Coax Adapters Technical Data Sheet

PEWCA1033

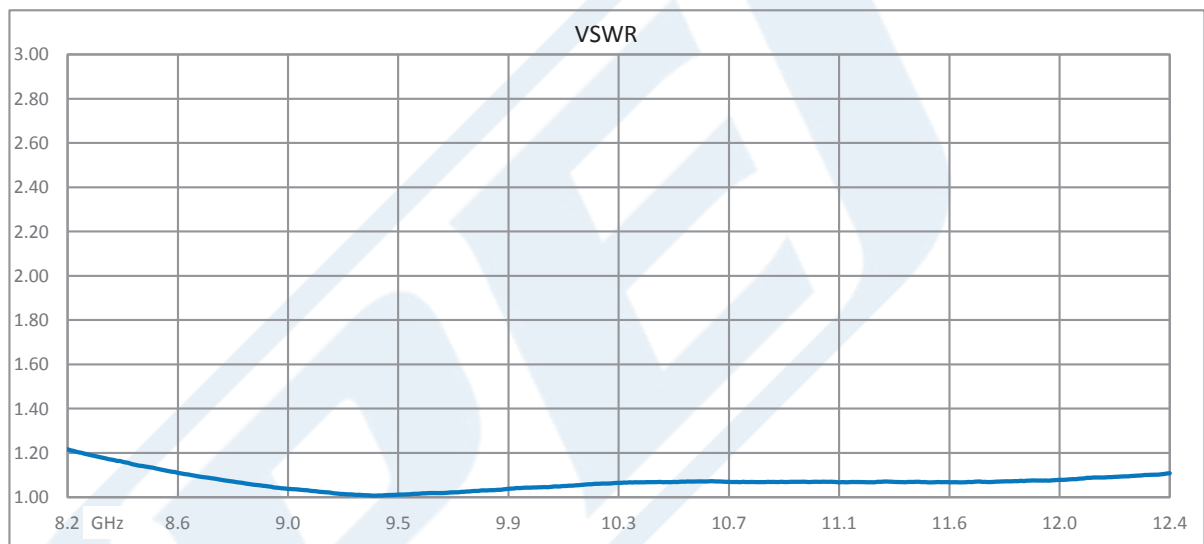
**Compliance Certifications** (see [product page](#) for current document)

#### Plotted and Other Data

Notes:

- Values at +25 °C, sea level unless stated otherwise

#### Typical Performance Data



WR-90 CMR-90 Flange to N Female Waveguide to Coax Adapter Operating from 8.2 GHz to 12.4 GHz from Pasternack Enterprises has same day shipment for domestic and International orders. Our RF, microwave and millimeter wave products maintain a 99.4% availability and are part of the broadest selection in the industry.

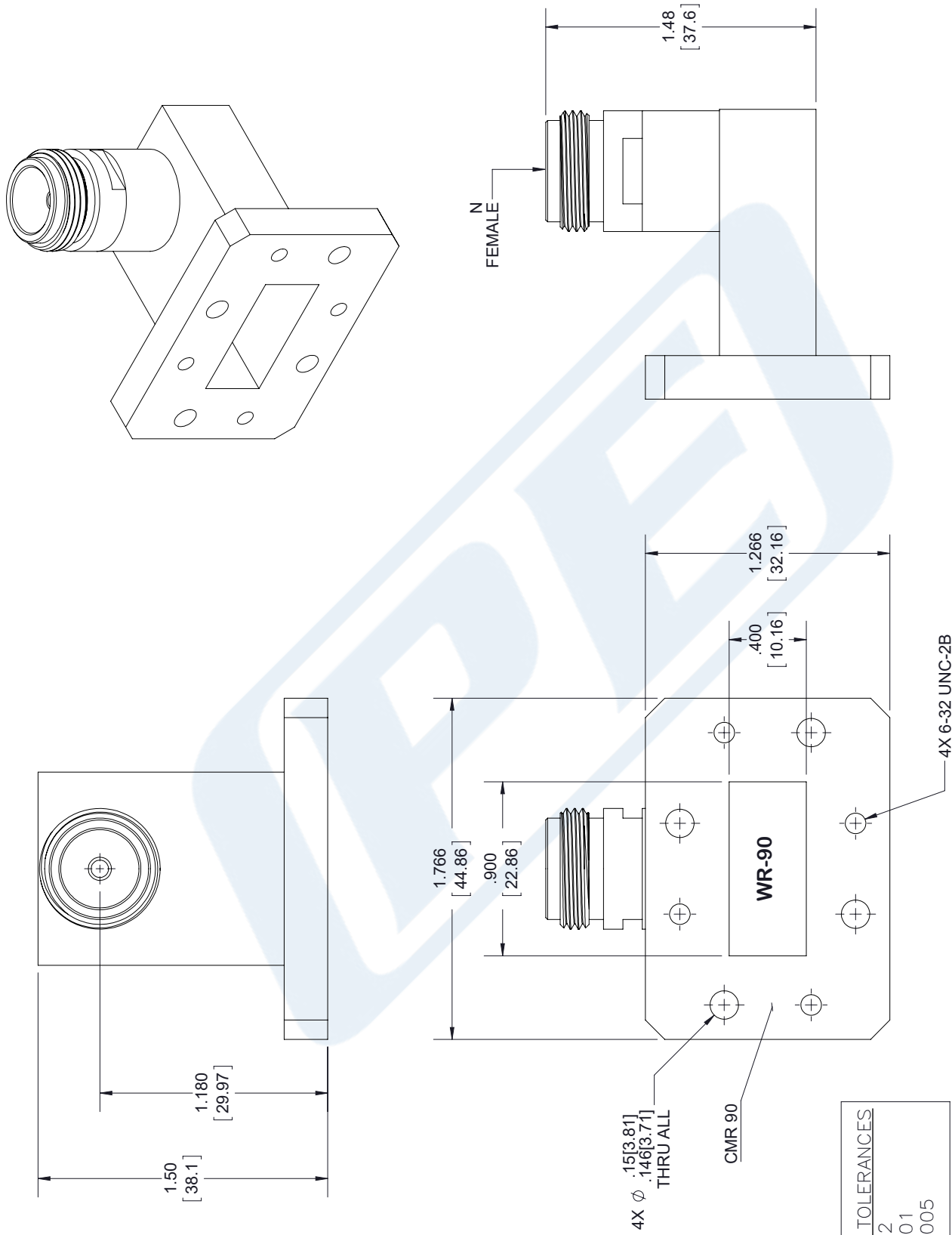
Click the following link (or enter part number in "SEARCH" on website) to obtain additional part information including price, inventory and certifications: [WR-90 CMR-90 Flange to N Female Waveguide to Coax Adapter Operating from 8.2 GHz to 12.4 GHz PEWCA1033](#)

URL: <https://www.pasternack.com/wr-90-cmr-90-n-female-waveguide-coax-adapter-pewca1033-p.aspx>

The information contained in this document is accurate to the best of our knowledge and representative of the part described herein. It may be necessary to make modifications to the part and/or the documentation of the part, in order to implement improvements. Pasternack reserves the right to make such changes as required. Unless otherwise stated, all specifications are nominal. Pasternack does not make any representation or warranty regarding the suitability of the part described herein for any particular purpose, and Pasternack does not assume any liability arising out of the use of any part or documentation.

# PEWCA1033 CAD Drawing

WR-90 CMR-90 Flange to N Female Waveguide to Coax Adapter Operating from 8.2 GHz to 12.4 GHz



STANDARD TOLERANCES
.X $\pm 0.2$
.XX $\pm 0.01$
.XXX $\pm 0.005$

\*STANDARD TOLERANCES APPLY ONLY TO DIMENSIONS IN INCHES



Pasternack Enterprises, Inc.  
P.O. Box 16759 | Irvine | CA | 92623  
**Phone:** (949) 261-1920 | **Fax:** (949) 261-7451  
**Website:** www.pasternack.com | **E-Mail:** sales@pasternack.com

DWG TITLE

PEWCA1033

NOTES:  
1. UNLESS OTHERWISE SPECIFIED ALL DIMENSIONS ARE NOMINAL.  
2. ALL SPECIFICATIONS ARE SUBJECT TO CHANGE WITHOUT NOTICE AT ANY TIME  
3. DIMENSIONS ARE IN INCHES [mm].

CAD FILE	100417	SCALE	N/A	SIZE	A	7361
----------	--------	-------	-----	------	---	------

**CAGE CODE** 53919