



WR-187 UDR48 Flange to End Launch N Female Waveguide to Coax Adapter Operating from 3.94 GHz to 5.99 GHz in Aluminum

Waveguide to Coax Adapters Technical Data Sheet

PEWCA1105

Features

- 3.94 to 5.99 GHz Frequency Range
- WR-187 Waveguide Interface
- UDR48 Flange
- N Female RF Interface
- Comprehensive waveguide offering also include E-Bends, H-Bends, Sections, Filters, Terminations, Couplers, and more.

Applications

- Test Benches
- Radar
- Satellite
- Microwave Radio Systems
- Military and Space
- Communication Systems

Description

The PEWCA1105 is an end launch waveguide to coaxial adapter operating at a frequency range of 3.94 GHz to 5.99 GHz. This adapter offers a WR-187 waveguide interface size coupled with a precision tolerance UDR48 flange. The PEWCA1105 is constructed of aluminum and painted gray to ensure durability. The coaxial connector offered by this adapter uses an N Type Female connector.

Configuration

Waveguide Size	WR-187
Flange	UDR48
RF Connector	N Female
Body Geometry	End Launch

Electrical Specifications

Description	Minimum	Typical	Maximum	Units
Frequency Range	3.94		5.99	GHz
VSWR			1.25:1	
Insertion Loss			0.2	dB
Input Power (CW)			100	Watts

Mechanical Specifications

Size	
Length	2.94 in [74.68 mm]
Width	3.5 in [88.9 mm]
Height	2.5 in [63.5 mm]
RF Connector	
Connector Type	N Female
Waveguide Interface	
Waveguide Type	WR-187

Click the following link (or enter part number in "SEARCH" on website) to obtain additional part information including price, inventory and certifications: [WR-187 UDR48 Flange to End Launch N Female Waveguide to Coax Adapter Operating from 3.94 GHz to 5.99 GHz in Aluminum PEWCA1105](#)



WR-187 UDR48 Flange to End Launch N Female Waveguide to Coax Adapter Operating from 3.94 GHz to 5.99 GHz in Aluminum

Waveguide to Coax Adapters Technical Data Sheet

PEWCA1105

Flange Type	UDR48
Body Material and Plating	Aluminum

Compliance Certifications (see [product page](#) for current document)

Plotted and Other Data

Notes:

- Values at +25 °C, sea level unless stated otherwise

WR-187 UDR48 Flange to End Launch N Female Waveguide to Coax Adapter Operating from 3.94 GHz to 5.99 GHz in Aluminum from Pasternack Enterprises has same day shipment for domestic and International orders. Our RF, microwave and millimeter wave products maintain a 99.4% availability and are part of the broadest selection in the industry.

Click the following link (or enter part number in "SEARCH" on website) to obtain additional part information including price, inventory and certifications: [WR-187 UDR48 Flange to End Launch N Female Waveguide to Coax Adapter Operating from 3.94 GHz to 5.99 GHz in Aluminum PEWCA1105](#)

URL: <https://www.pasternack.com/wr187-udr48-flange-to-end-launch-type-n-female-waveguide-coax-adapter-pewca1105-p.aspx>

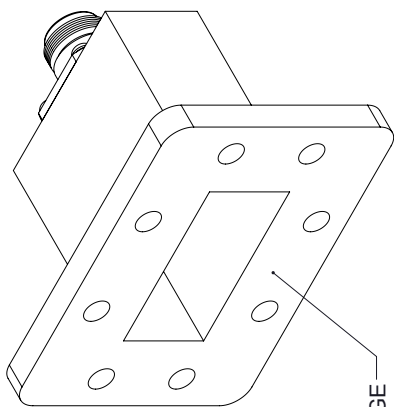
The information contained in this document is accurate to the best of our knowledge and representative of the part described herein. It may be necessary to make modifications to the part and/or the documentation of the part, in order to implement improvements. Pasternack reserves the right to make such changes as required. Unless otherwise stated, all specifications are nominal. Pasternack does not make any representation or warranty regarding the suitability of the part described herein for any particular purpose, and Pasternack does not assume any liability arising out of the use of any part or documentation.

PEWCA1105 CAD Drawing

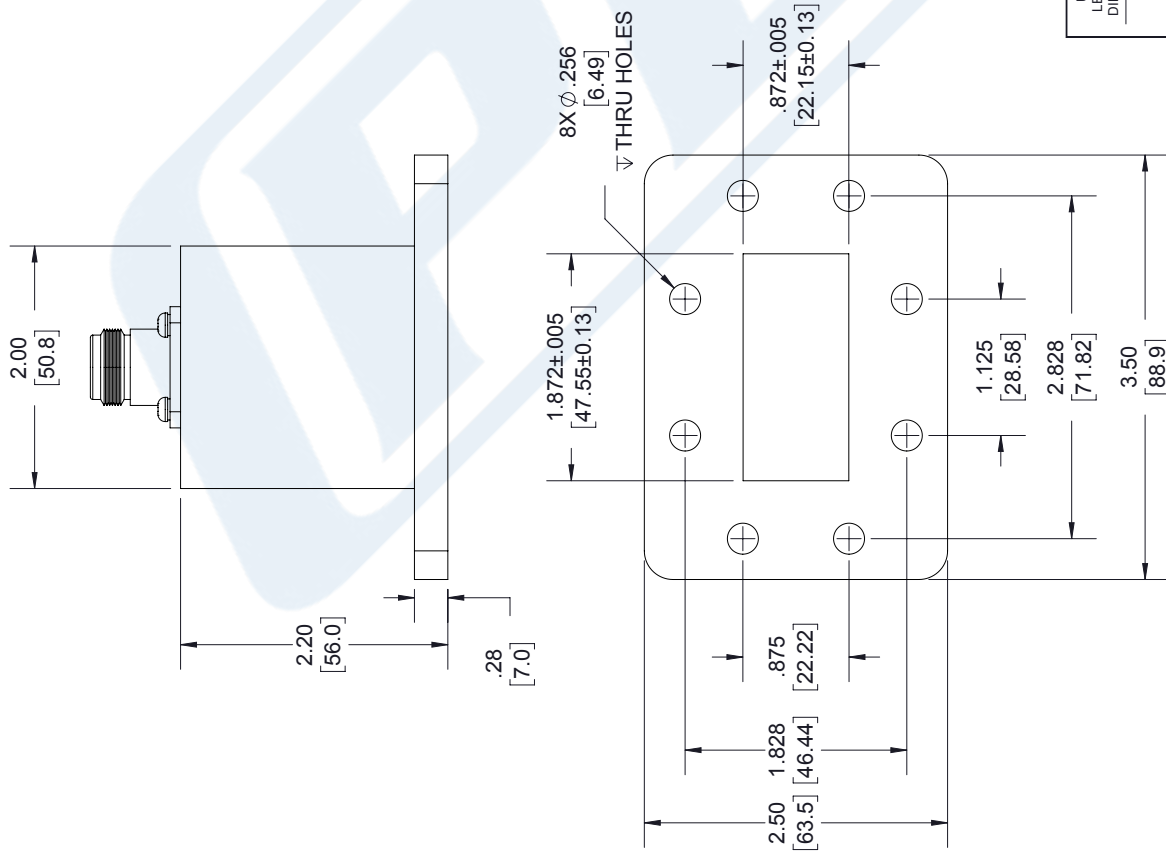
WR-187 UDR48 Flange to End Launch N Female Waveguide to Coax Adapter Operating from 3.94 GHz to 5.99 GHz in Aluminum

REVISIONS

REV.	DESCRIPTION	DATE	APPROVED
A	INITIAL RELEASE	05/14/2020	SPONG

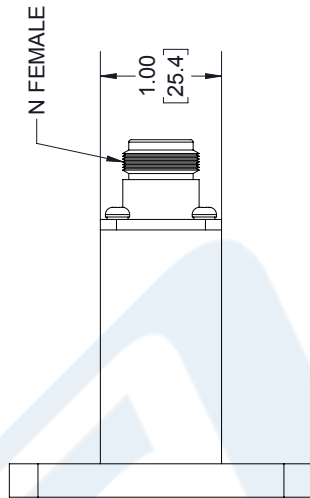


WR-187
UDR48 FLANGE



LABEL:

PASTERNAK
PEWCA1105
D/C: YYWW



N FEMALE

UNLESS OTHERWISE SPECIFIED
LEADING DIMENSIONS ARE INCHES
DIMENSIONS IN [] ARE MILLIMETERS

TOLERANCES:
 .X = ±.2 [5.08] FRACTIONS ± 1/32
 .XX = ±.02 [.51] ANGLES ± 1°
 .XXX = ±.005 [.13]

CABLE LENGTH (L) TOLERANCES:
 L ≤ 12 [305] = +1 [25] / -0
 12 [305] < L ≤ 60 [1524] = +2 [51] / -0
 60 [1524] < L ≤ 120 [3048] = +4 [102] / -0
 120 [3048] < L ≤ 300 [7620] = +6 [152] / -0
 300 [7620] < L = +5% / L / -0

ALL DIMENSIONS SHOWN
ARE FOR REFERENCE ONLY.

THIRD-ANGLE PROJECTION

THE INFORMATION AND DESIGN IN THIS DOCUMENT IS THE PROPERTY OF PASTERNAK CORPORATION ALL RIGHTS RESERVED.

SHEET 1 OF 1

SCALE N/A

PE PASTERNAK
an INFINITO brand

Pasternack Enterprises, Inc.
P.O. Box 16759, Irvine, CA 92623.
Phone: 1.949.261.1920 | 1.866.727.8376
Fax: 1.949.261.7451
Website: www.pasternack.com
E-mail: sales@pasternack.com

ITEM NO. PEWCA1105

REV. A

CAGE CODE DRAWN BY: A 53919 BPUCHASKI

THESE COMMODITIES, TECHNOLOGY OR SOFTWARE WERE EXPORTED FROM THE UNITED STATES IN ACCORDANCE WITH THE EXPORT ADMINISTRATION REGULATIONS. DIVERSION CONTRARY TO U.S. LAW PROHIBITED.