



WR-22 UG383/U Flange to End Launch 2.4mm
Female Waveguide to Coax Adapter Operating
from 33 GHz to 50 GHz in Brass

Waveguide to Coax Adapters Technical Data Sheet

PEWCA1110

Features

- 33 to 50 GHz Frequency Range
- WR-22 Waveguide Interface
- UG383/U Flange
- 2.94mm Female RF Interface
- Comprehensive waveguide offering also include E-Bends, H-Bends, Sections, Filters, Terminations, Couplers, and more.

Applications

- Test Benches
- Radar
- Satellite
- Microwave Radio Systems
- Military and Space
- Communication Systems

Description

The PEWCA1110 is an end launch waveguide to coaxial adapter operating at a frequency range of 33 GHz to 50 GHz. This adapter offers a WR-28 waveguide interface size coupled with a precision tolerance UG383/U flange. The PEWCA1110 is constructed of brass with a gold finish to ensure durability. The coaxial connector offered by this adapter uses an 2.4mm Female connector.

Configuration

Waveguide Size	WR-22
Flange	UG383/U
RF Connector	2.4mm Female
Body Geometry	End Launch

Electrical Specifications

Description	Minimum	Typical	Maximum	Units
Frequency Range	33		50	GHz
VSWR			1.6:1	
Insertion Loss			0.5	dB
Input Power (CW)			10	Watts

Mechanical Specifications

Size	
Length	0.91 in [23.11 mm]
Width	1.13 in [28.7 mm]
Height	1.13 in [28.7 mm]
Weight	1 lbs [453.59 g]
RF Connector	
Connector Type	2.4mm Female

Click the following link (or enter part number in "SEARCH" on website) to obtain additional part information including price, inventory and certifications: [WR-22 UG383/U Flange to End Launch 2.4mm Female Waveguide to Coax Adapter Operating from 33 GHz to 50 GHz in Brass PEWCA1110](#)



WR-22 UG383/U Flange to End Launch 2.4mm
Female Waveguide to Coax Adapter Operating
from 33 GHz to 50 GHz in Brass

Waveguide to Coax Adapters Technical Data Sheet

PEWCA1110

Waveguide Interface

Waveguide Type	WR-22
Flange Type	UG383/U
Body Material and Plating	Brass

Environmental Specifications

Temperature

Operating Range	-20 to +70 deg C
Storage Range	-40 to +85 deg C

Compliance Certifications (see [product page](#) for current document)

Plotted and Other Data

Notes:

- Values at +25 °C, sea level unless stated otherwise

WR-22 UG383/U Flange to End Launch 2.4mm Female Waveguide to Coax Adapter Operating from 33 GHz to 50 GHz in Brass from Pasternack Enterprises has same day shipment for domestic and International orders. Our RF, microwave and millimeter wave products maintain a 99.4% availability and are part of the broadest selection in the industry.

Click the following link (or enter part number in "SEARCH" on website) to obtain additional part information including price, inventory and certifications: [WR-22 UG383/U Flange to End Launch 2.4mm Female Waveguide to Coax Adapter Operating from 33 GHz to 50 GHz in Brass PEWCA1110](#)

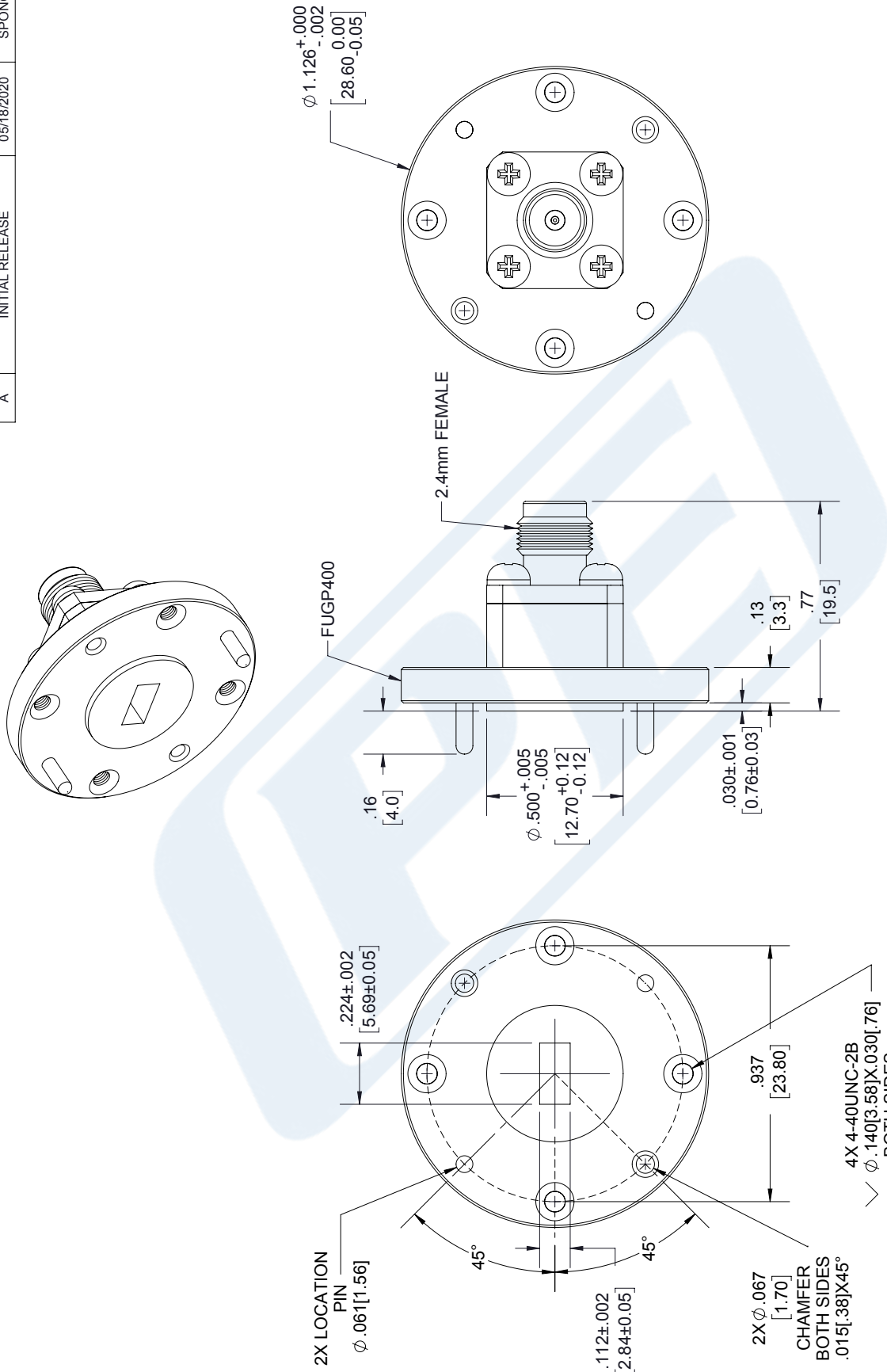
URL: <https://www.pasternack.com/wr22-ug383-flange-to-end-launch-2.4mm-female-waveguide-coax-adapter-50ghz-pewca1110-p.aspx>

The information contained in this document is accurate to the best of our knowledge and representative of the part described herein. It may be necessary to make modifications to the part and/or the documentation of the part, in order to implement improvements. Pasternack reserves the right to make such changes as required. Unless otherwise stated, all specifications are nominal. Pasternack does not make any representation or warranty regarding the suitability of the part described herein for any particular purpose, and Pasternack does not assume any liability arising out of the use of any part or documentation.

PEWCA1110 CAD Drawing

WR-22 UG383/U Flange to End Launch 2.4mm Female Waveguide to Coax Adapter Operating from 33 GHz to 50 GHz in Brass

REVISIONS		
REV.	DESCRIPTION	DATE
A	INITIAL RELEASE	05/18/2020
		APPROVED
		SPONG



THIRD-ANGLE PROJECTION

THE INFORMATION AND DESIGN IN THIS DOCUMENT IS THE PROPERTY OF PASTERNAK CORPORATION. ALL RIGHTS RESERVED.

SHEET 1 OF 1

SCALE N/A

REV A

PE PASTERNAK
an INFINITO brand

Pasternack Enterprises, Inc.
P.O. Box 16759, Irvine, CA 92623.
Phone: 1.949.261.1920 | 1.866.727.8376
Fax: 1.949.261.7451
Website: www.pasternack.com
E-mail: sales@pasternack.com

ITEM NO: PEWCA1110

SIZE: A CAGE CODE: 53919 DRAWN BY: BPUCHASKI

UNLESS OTHERWISE SPECIFIED LEADING DIMENSIONS ARE INCHES DIMENSIONS IN [] ARE MILLIMETERS

TOLERANCES:

.X = ± .2 [5.08] FRACTIONS ± 1/32
 .XX = ± .02 [.51] ± 1/32
 .XXX = ± .005 [.13] ANGLES ± 1°

CABLE LENGTH (L) TOLERANCES:

L ≤ 12 [305] = +1 [25] / -0
 12 [305] < L ≤ 60 [1524] = +2 [51] / -0
 60 [1524] < L ≤ 120 [3048] = +4 [102] / -0
 120 [3048] < L ≤ 300 [7620] = +6 [152] / -0
 300 [7620] < L = +5% / L / -0

ALL DIMENSIONS SHOWN ARE FOR REFERENCE ONLY.

LABEL:
 PASTERNAK
 PEWCA1110
 D/C: YYWW

THESE COMMODITIES, TECHNOLOGY OR SOFTWARE WERE EXPORTED FROM THE UNITED STATES IN ACCORDANCE WITH THE EXPORT ADMINISTRATION REGULATIONS. DIVERSION CONTRARY TO U.S. LAW PROHIBITED.