



WRD-650 UG Square Cover Flange to N Female Waveguide to Coax Adapter Operating from 6.5 GHz to 18 GHz in Copper Alloy

Waveguide to Coax Adapters Technical Data Sheet

PEWCA1111

Features

- 6.5 GHz to 18 GHz Frequency Range
- WRD-650 Double Ridge Waveguide Interface
- UG Square Cover Flange
- N Female RF Interface
- Comprehensive waveguide offering also include E-Bends, H-Bends, Sections, Filters, Terminations, Couplers, and more.

Applications

- Test Benches
- Radar
- Satellite
- Microwave Radio Systems
- Military and Space
- Communication Systems

Description

The PEWCA1111 is a right angle double ridge waveguide to coaxial adapter operating at a frequency range of 6.5 GHz to 18 GHz. This adapter offers a WRD-650 waveguide interface size coupled with a precision tolerance Square Cover flange. The PEWCA1111 is constructed of copper alloy and painted gray to ensure durability. The coaxial connector offered by this adapter uses an N Female connector.

Configuration

Waveguide Size	WRD-650
Flange	UG Square Cover
RF Connector	N Female
Impedance	50 Ohms
Body Geometry	Right Angle

Electrical Specifications

Description	Minimum	Typical	Maximum	Units
Frequency Range	6.5		18	GHz
VSWR		1.5:1		
Insertion Loss			0.5	dB
Input Power (CW)			100	Watts

Mechanical Specifications

Weight	0.5 lbs [226.8 g]
RF Connector	
Connector Type	N Female
Waveguide Interface	
Waveguide Type	WRD-650
Flange Type	Square Cover
Flange Designation	UG

Click the following link (or enter part number in "SEARCH" on website) to obtain additional part information including price, inventory and certifications: [WRD-650 UG Square Cover Flange to N Female Waveguide to Coax Adapter Operating from 6.5 GHz to 18 GHz in Copper Alloy PEWCA1111](#)



WRD-650 UG Square Cover Flange to N Female Waveguide to Coax Adapter Operating from 6.5 GHz to 18 GHz in Copper Alloy

Waveguide to Coax Adapters Technical Data Sheet

PEWCA1111

Body Material and Plating

Copper Alloy

Compliance Certifications (see [product page](#) for current document)

Plotted and Other Data

Notes:

- Values at +25 °C, sea level unless stated otherwise

WRD-650 UG Square Cover Flange to N Female Waveguide to Coax Adapter Operating from 6.5 GHz to 18 GHz in Copper Alloy from Pasternack Enterprises has same day shipment for domestic and International orders. Our RF, microwave and millimeter wave products maintain a 99.4% availability and are part of the broadest selection in the industry.

Click the following link (or enter part number in "SEARCH" on website) to obtain additional part information including price, inventory and certifications: [WRD-650 UG Square Cover Flange to N Female Waveguide to Coax Adapter Operating from 6.5 GHz to 18 GHz in Copper Alloy PEWCA1111](#)

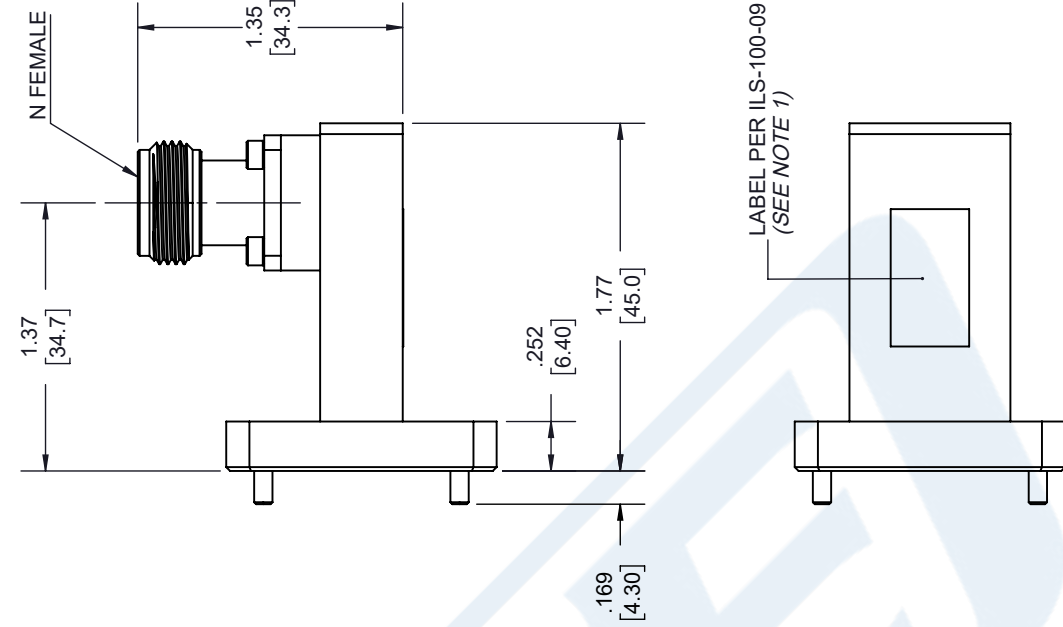
URL: <https://www.pasternack.com/wrd650-ug-square-flange-to-type-n-female-waveguide-coax-adapter-18ghz-pewca1111-p.aspx>

The information contained in this document is accurate to the best of our knowledge and representative of the part described herein. It may be necessary to make modifications to the part and/or the documentation of the part, in order to implement improvements. Pasternack reserves the right to make such changes as required. Unless otherwise stated, all specifications are nominal. Pasternack does not make any representation or warranty regarding the suitability of the part described herein for any particular purpose, and Pasternack does not assume any liability arising out of the use of any part or documentation.

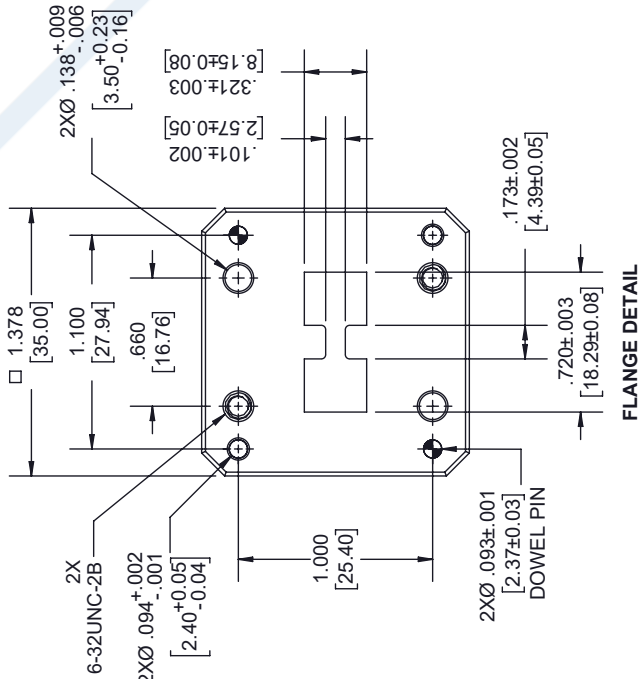
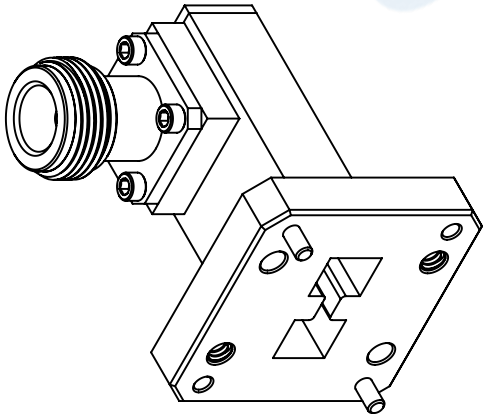
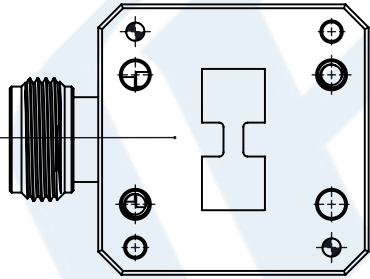
PEWCA1111 CAD Drawing

WRD-650 UG Square Cover Flange to N Female Waveguide to Coax Adapter Operating from 6.5 GHz to 18 GHz in Copper Alloy

REVISIONS			
REV.	DESCRIPTION	DATE	APPROVED
A	INITIAL RELEASE	10/2/2020	S.PONG



WRD650 DOUBLE-RIDGE
FPWRD650D28 COVER FLANGE



FLANGE DETAIL

NOTES:

1. LABEL PER ILS-100-09. FOR INTERNAL REFERENCE ONLY.
LABEL LOCATION FOR REFERENCE ONLY.

THESE COMMODITIES, TECHNOLOGY OR SOFTWARE WERE EXPORTED FROM THE UNITED STATES IN ACCORDANCE WITH THE EXPORT ADMINISTRATION REGULATIONS. DIVERSION CONTRARY TO U.S. LAW PROHIBITED.

UNLESS OTHERWISE SPECIFIED
LEADING DIMENSIONS ARE INCHES
DIMENSIONS IN [] ARE MILLIMETERS

TOLERANCES:
 .X = ±.2 [5.08] FRACTIONS ±1/32
 .XX = ±.02 [.51] ANGLES ± 1°
 .XXX = ±.005 [.13] CABLE LENGTH (L), TOLERANCES:
 L ≤ 12 [305] = +1 [25] / -0
 12 [305] < L ≤ 60 [1524] = +2 [51] / -0
 60 [1524] < L ≤ 120 [3048] = +4 [102] / -0
 120 [3048] < L ≤ 300 [7620] = +6 [152] / -0
 300 [7620] < L = +5% / -0

ALL DIMENSIONS SHOWN
ARE FOR REFERENCE ONLY.

PE PASTERNAK
an INFINITE brand

Pasternack Enterprises, Inc.
P. O. Box 16759, Irvine, CA 92623.
Phone: 1.949.261.1920 | 1.866.727.8376
Fax: 1.949.261.7451
Website: www.pasternack.com
E-mail: sales@pasternack.com

THIRD-ANGLE PROJECTION
THE INFORMATION AND
DESIGN IN THIS DOCUMENT
IS THE PROPERTY OF
PASTERNAK CORPORATION
ALL RIGHTS RESERVED.

SHEET 1 OF 1
SCALE N/A

SIZE A CAGE CODE 53919 DRAWN BY K.DANG ITEM NO. PEWCA1111 REV A