



WR-34 Waveguide Electromechanical Relay SPDT/  
 DPDT Latching Switch, Ka Band 33 GHz Max. Freq.,  
 620 Watts, UG Cover, 28V, TTL, Self Cut Off

## Waveguide Electromechanical Relay Switches Technical

PEWGS6041

### Features

- 22 to 33 GHz SPDT Waveguide Switch
- Optional DPDT Configuration
- WR-34 Waveguide
- Insertion Loss: 0.15 dB Max
- Isolation: 60 dB min
- +28 Vdc Nominal Voltage
- Input Power Rating up to 0.62 KW CW max
- Latching TTL Logic Self Cut Off Actuator
- Position Indicator and Manual Override Access
- Fully Weatherized Package
- Quick Connect Circular DC Connector with Mate
- -40°C to +85°C Operating Temperature

### Applications

- Electronic Warfare
- Electronic Countermeasures
- Microwave Radio
- VSAT
- Radar
- Space Systems
- Test Instrumentation
- Research and Development

### Description

The PEWGS6041 electromechanical WR-34 waveguide switch operates across a wide frequency range from 22 GHz to 33 GHz and is configured for single pole double throw (SPDT) operation. A shorting plate on port 3 can be removed for optional double pole double throw (DPDT) operation. This innovative design features a latching TTL Logic controlled Self Cut Off actuator and patented motor drive with arc suppression. The motor drive housing supports a viewable position indicator window and a cover that can be removed for manual override access.

Impressive performance includes 0.15 dB max insertion loss, 60 dB min Isolation, 1.15:1 max VSWR, and an operating life of 250K cycles minimum. The design operates across a temperature range of -40°C to +85°C, requires +28Vdc nominal bias voltage, and has an input power rating of up to 0.62 KW CW maximum. The waveguide ports have standard UG Cover with Custom O-Ring Groove Flanges. The rugged package design is fully weatherized for up to 100% humidity exposure and supports a quick connect circular 10 pin MIL-SPEC DC bias connector with mate included.

### Electrical Specifications

Switch Type	SPDT/DPDT
Actuator Type	Latching
Actuator Options	TTL Logic, Self Cut Off, Set Indicators, Manual Override, Viewing Window

Description	Minimum	Typical	Maximum	Units
Frequency Range	22		33	GHz
Operating Voltage	21	28	32	Volts
Actuating Current @ 28 Volts			1	A
VSWR			1.15:1	
Insertion Loss			0.15	dB
Isolation	60			dB
Switching Time		80		ms
Input Power (CW)			620	Watts

Click the following link (or enter part number in "SEARCH" on website) to obtain additional part information including price, inventory and certifications: [WR-34 Waveguide Electromechanical Relay SPDT/DPDT Latching Switch, Ka Band 33 GHz Max. Freq., 620 Watts, UG Cover, 28V, TTL, Self Cut Off PEWGS6041](#)



WR-34 Waveguide Electromechanical Relay SPDT/  
DPDT Latching Switch, Ka Band 33 GHz Max. Freq.,  
620 Watts, UG Cover, 28V, TTL, Self Cut Off

Waveguide Electromechanical Relay Switches Technical

PEWGS6041

**Mechanical Specifications**

**Size**

Operating Life 250,000 Cycles  
Operating Pressure 30 psig

**Configuration**

Waveguide Size WR-34  
Flange Type UG Cover  
Body Material and Plating Aluminum, Gold  
Body Plating Specification MIL-DTL-5541

**Environmental Specifications**

**Temperature**

Operating Range -40 to +85 deg C  
Storage Range -55 to +100 deg C

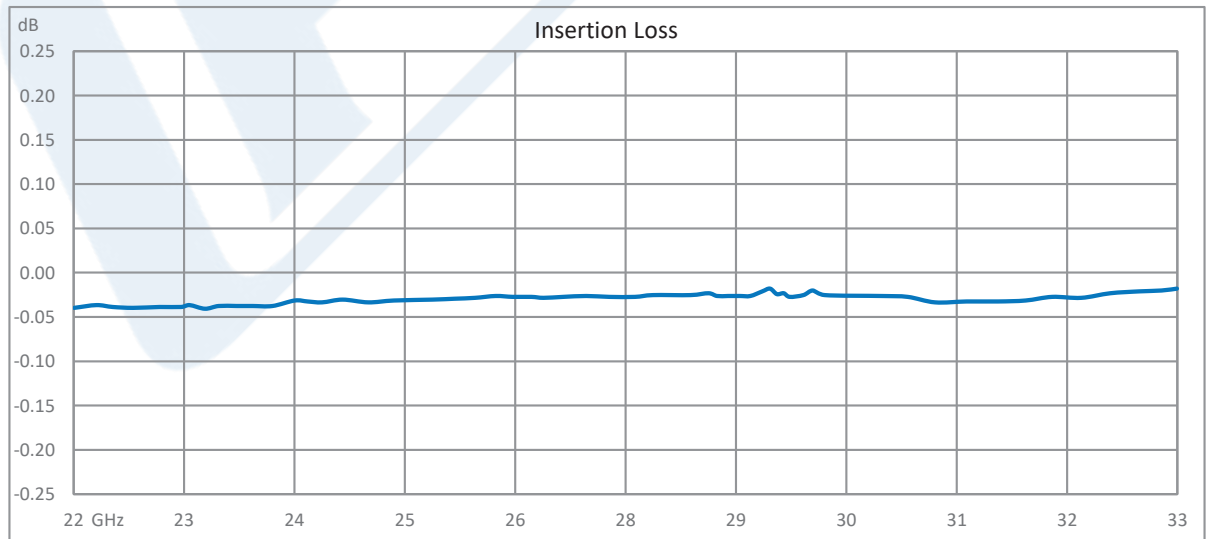
Humidity 0 to 100%, Fully Weatherized

**Compliance Certifications** (see [product page](#) for current document)

**Plotted and Other Data**

Notes:

**Typical Performance Data**



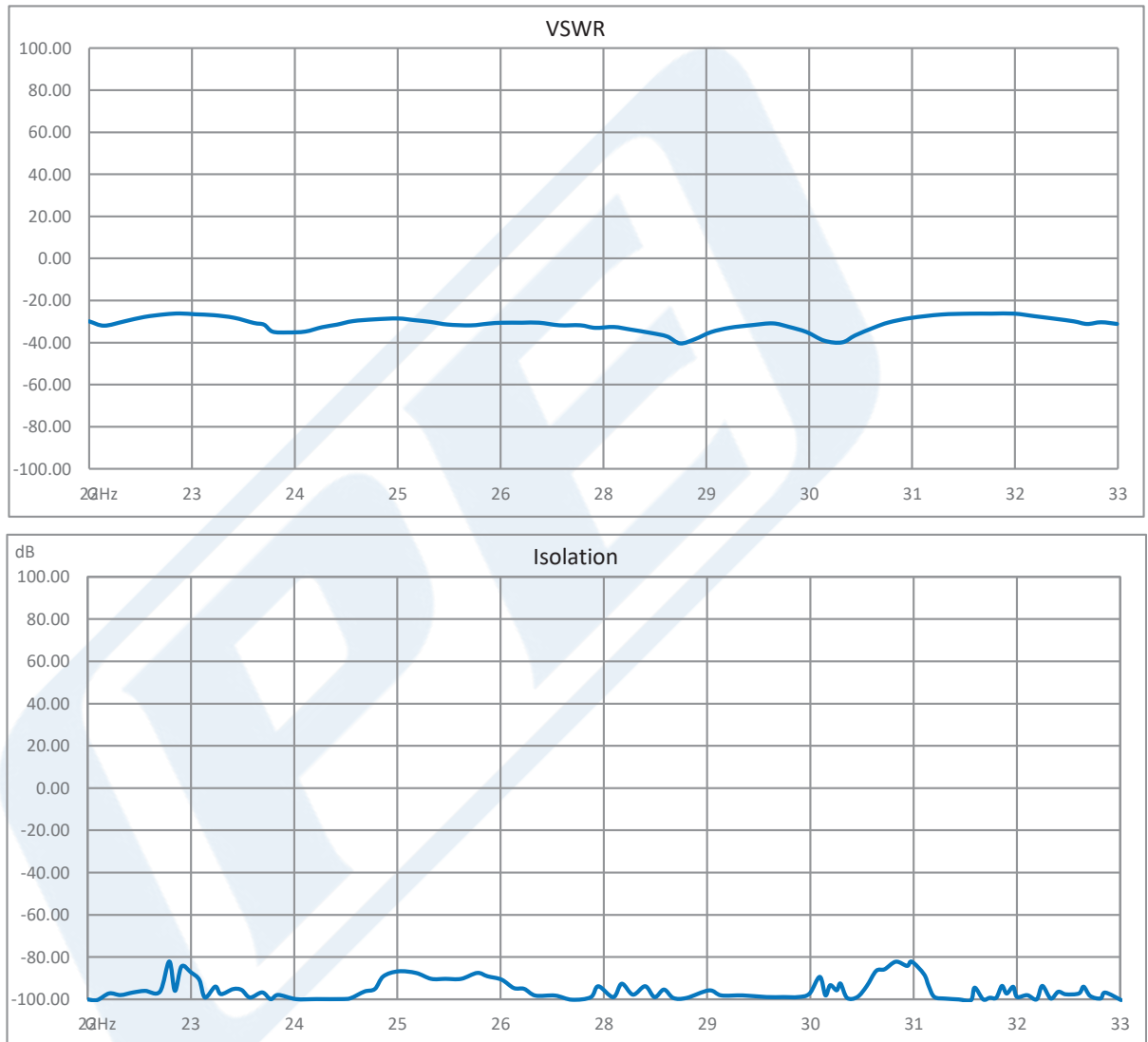
Click the following link (or enter part number in "SEARCH" on website) to obtain additional part information including price, inventory and certifications: [WR-34 Waveguide Electromechanical Relay SPDT/DPDT Latching Switch, Ka Band 33 GHz Max. Freq., 620 Watts, UG Cover, 28V, TTL, Self Cut Off PEWGS6041](#)



WR-34 Waveguide Electromechanical Relay SPDT/  
DPDT Latching Switch, Ka Band 33 GHz Max. Freq.,  
620 Watts, UG Cover, 28V, TTL, Self Cut Off

Waveguide Electromechanical Relay Switches Technical

PEWGS6041



Click the following link (or enter part number in "SEARCH" on website) to obtain additional part information including price, inventory and certifications: [WR-34 Waveguide Electromechanical Relay SPDT/DPDT Latching Switch, Ka Band 33 GHz Max. Freq., 620 Watts, UG Cover, 28V, TTL, Self Cut Off PEWGS6041](#)



WR-34 Waveguide Electromechanical Relay SPDT/  
DPDT Latching Switch, Ka Band 33 GHz Max. Freq.,  
620 Watts, UG Cover, 28V, TTL, Self Cut Off

## Waveguide Electromechanical Relay Switches Technical

PEWGS6041

WR-34 Waveguide Electromechanical Relay SPDT/DPDT Latching Switch, Ka Band 33 GHz Max. Freq., 620 Watts, UG Cover, 28V, TTL, Self Cut Off from Pasternack Enterprises has same day shipment for domestic and International orders. Our RF, microwave and millimeter wave products maintain a 99.4% availability and are part of the broadest selection in the industry.

Click the following link (or enter part number in "SEARCH" on website) to obtain additional part information including price, inventory and certifications: [WR-34 Waveguide Electromechanical Relay SPDT/DPDT Latching Switch, Ka Band 33 GHz Max. Freq., 620 Watts, UG Cover, 28V, TTL, Self Cut Off PEWGS6041](https://www.pasternack.com/wr-34-waveguide-electromechanical-relay-spd-dpdt-latching-switch-33-ghz-pewgs6041-p.aspx)

URL: <https://www.pasternack.com/wr-34-waveguide-electromechanical-relay-spd-dpdt-latching-switch-33-ghz-pewgs6041-p.aspx>

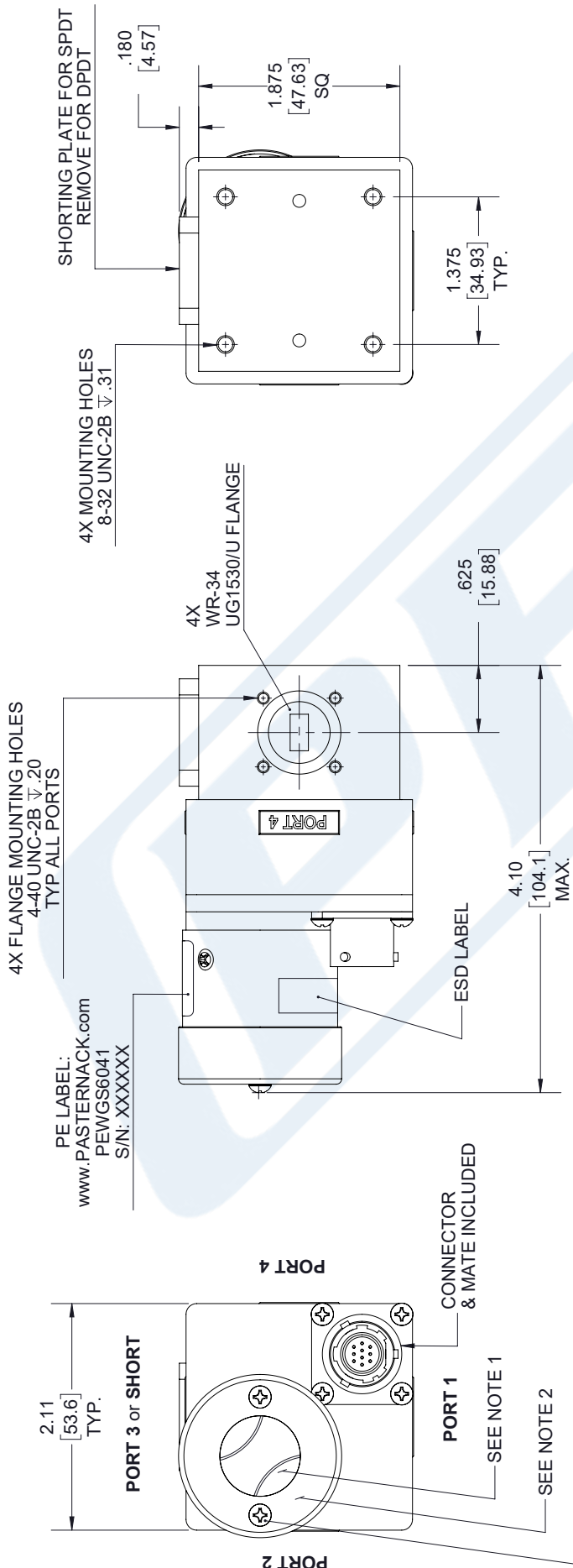
The information contained in this document is accurate to the best of our knowledge and representative of the part described herein. It may be necessary to make modifications to the part and/or the documentation of the part, in order to implement improvements. Pasternack reserves the right to make such changes as required. Unless otherwise stated, all specifications are nominal. Pasternack does not make any representation or warranty regarding the suitability of the part described herein for any particular purpose, and Pasternack does not assume any liability arising out of the use of any part or documentation.

# PEWGS6041 CAD Drawing

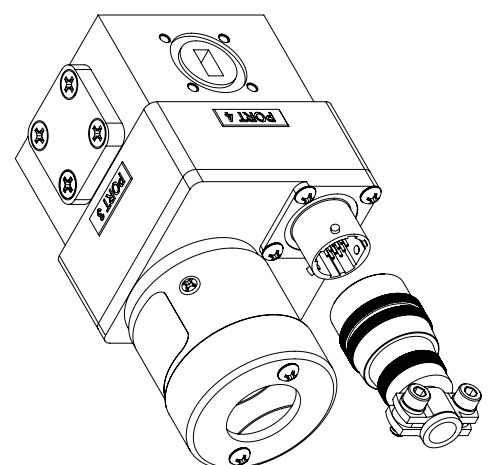
WR-34 Waveguide Electromechanical Relay SPDT/DPDT Latching Switch, Ka Band 33 GHz Max. Freq., 620 Watts, UG Cover, 28V, TTL, Self Cut Off

REVISIONS			
REV.	DESCRIPTION	DATE	APPROVED
A	INITIAL RELEASE	07/16/19	T. GALLA

- NOTES:
1. MANUAL OVERRIDE & POSITION INDICATOR.
  2. WEATHERIZED COVER WITH CLEAR VIEWING WINDOW.
  3. FOR ACCESS TO MANUAL OVERRIDE LOOSEN (2) CAPTIVE SCREWS.



PE LABEL:  
www.PASTERNAK.com  
PEWGS6041  
S/N: XXXXXX

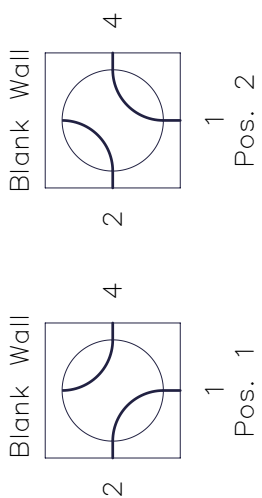


<p>UNLESS OTHERWISE SPECIFIED LEADING DIMENSIONS ARE INCHES DIMENSIONS IN [ ] ARE MILLIMETERS</p> <p>TOLERANCES:</p> <table border="0"> <tr> <td>X±.2</td> <td>[5.08]</td> <td>FRACTIONS</td> </tr> <tr> <td>.XX±.01</td> <td>[.25]</td> <td>±.132</td> </tr> <tr> <td>.XXX±.005</td> <td>[.13]</td> <td>ANGLES ± 1°</td> </tr> </table> <p>ALL DIMENSIONS SHOWN ARE FOR REFERENCE ONLY.</p> <p>THIRD-ANGLE PROJECTION</p>		X±.2	[5.08]	FRACTIONS	.XX±.01	[.25]	±.132	.XXX±.005	[.13]	ANGLES ± 1°	<p>THE INFORMATION AND DESIGN IN THIS DOCUMENT IS THE PROPERTY OF PASTERNAK CORPORATION. ALL RIGHTS RESERVED.</p> <p>SHEET 1 OF 2</p> <p>SCALE N/A</p>	
X±.2	[5.08]	FRACTIONS										
.XX±.01	[.25]	±.132										
.XXX±.005	[.13]	ANGLES ± 1°										
<p><b>PE PASTERNAK</b> an INFINITO brand</p> <p>Pasternack Enterprises, Inc. P.O. Box 16759, Irvine, CA 92623. Phone: 1.949.261.1920   1.866.727.8376 Fax: 1.949.261.7451 www.pasternack.com   e-mail: sales@pasternack.com</p>		<p>SIZE A</p> <p>CAGE 53919</p> <p>DRAWN BY K.DANG</p> <p>PART NUMBER PEWGS6041</p> <p>REV A</p>										

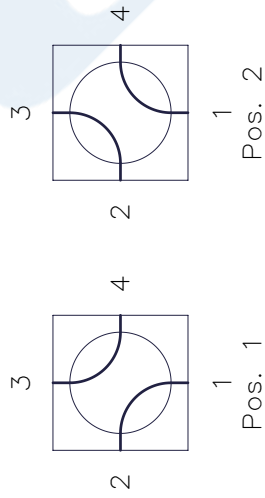
THESE COMMODITIES, TECHNOLOGY OR SOFTWARE WERE EXPORTED FROM THE UNITED STATES IN ACCORDANCE WITH THE EXPORT ADMINISTRATION REGULATIONS. DIVERSION CONTRARY TO U.S. LAW PROHIBITED.

# PEWGS6041 CAD Drawing

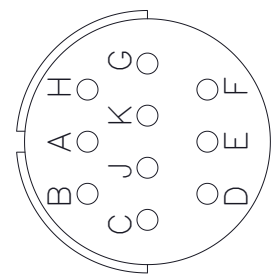
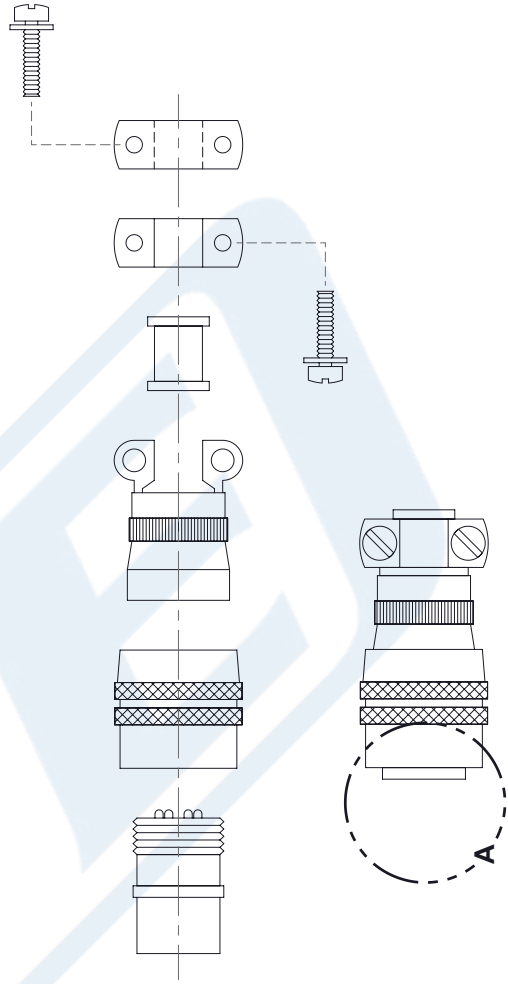
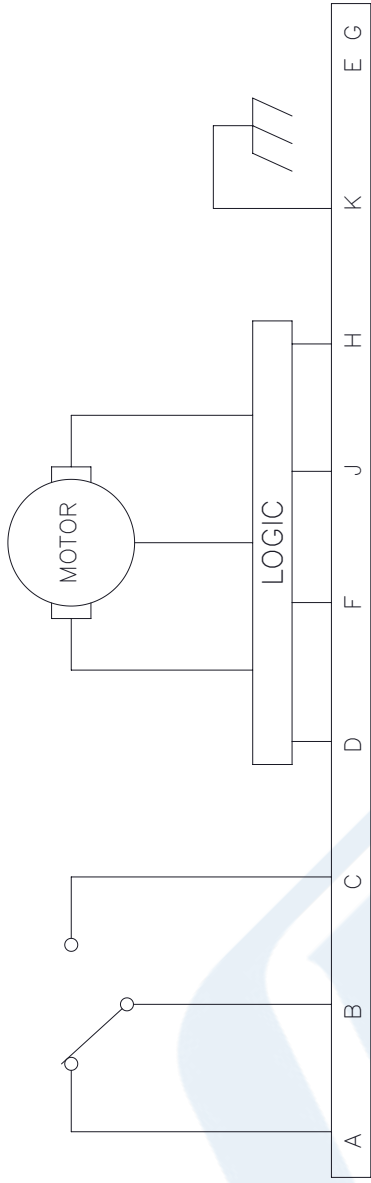
WR-34 Waveguide Electromechanical Relay SPDT/DPDT Latching Switch, Ka  
Band 33 GHz Max. Freq., 620 Watts, UG Cover, 28V, TTL, Self Cut Off



R.F. PATHS—SPDT



R.F. PATHS—DPDT



**VIEW A**

UNLESS OTHERWISE SPECIFIED  
LEADING DIMENSIONS ARE INCHES  
DIMENSIONS IN [ ] ARE MILLIMETERS

TOLERANCES:  
X±.2 [5.08]  
.XX±.01 [.25]  
.XXX±.005 [.13]

FRACTIONS  
±.132  
ANGLES ± 1°

ALL DIMENSIONS SHOWN  
ARE FOR REFERENCE ONLY.

THIRD-ANGLE PROJECTION

**PE PASTERNAK**  
an INFINITO brand

Pasternack Enterprises, Inc.  
P.O. Box 16759, Irvine, CA 92623.  
Phone: 1.949.261.1920 | 1.866.727.8376  
Fax: 1.949.261.7451  
www.pasternack.com | e-mail: sales@pasternack.com

SIZE A CAGE 53919 DRAWN BY K.DANG PART NUMBER PEWGS6041 REV A

THE INFORMATION AND DESIGN IN THIS DOCUMENT IS THE PROPERTY OF PASTERNAK CORPORATION. ALL RIGHTS RESERVED.

SHEET 2 OF 2  
SCALE N/A

THESE COMMODITIES, TECHNOLOGY OR SOFTWARE WERE EXPORTED FROM THE UNITED STATES IN ACCORDANCE WITH THE EXPORT ADMINISTRATION REGULATIONS. DIVERSION CONTRARY TO U.S. LAW PROHIBITED.