



WR-137 Waveguide Pressurizing Section 4.25 Inch Length,  
CPR-137G Grooved Flange from 5.85 GHz to 8.2 GHz

TECHNICAL DATA SHEET

PEWSP1012

The PEWSP1012 is a pressurizing section for WR-137 waveguides with CPR-137 Grooved flanges. The pressure section has a pressure gauge to monitor the internal pressure. The pressure gauge will read up to 15 PSI. It also has a pressure inlet valve which is a Schrader 1/8-27 NPTF with protective metal cap. The PEWSP1012 is part of a family of pressure inlets with pressure gauges. Used with Pasternack's gasket kits it allows for waveguide systems to be pressurized with air or other gasses. These are quality built units with VSWR of 1.08:1 or less.

**Features**

- Pressurizing Waveguide Section
- 0-15 PSI Pressure Gauge
- 5.85 GHz to 8.2 GHz Frequency Range
- CPR-137 Grooved Flange
- Waveguide Body made of Bronze with Brass Flanges
- Low VSWR

**Applications**

- Test Benches
- Radar
- Satellite
- Microwave Radio
- High Power

**Electrical Specifications**

Description	Minimum	Typical	Maximum	Units
Frequency Range	5.85		8.2	GHz
VSWR		1.07:1		

**Mechanical Specifications**

Waveguide Size: WR-137  
 Waveguide Design: Standard  
 Section Length: 4.25 in [107.95 mm]

Description	Flange 1	Waveguide	Flange 2
Flange Type	CPR-137G		CPR-137G
Flange Designation	None	WR-137	None
Material		Bronze	

**Compliance Certifications** (see [product page](#) for current document)

Notes:

- Values at +25 °C, sea level

Click the following link (or enter part number in "SEARCH" on website) to obtain additional part information including price, inventory and certifications: [WR-137 Waveguide Pressurizing Section 4.25 Inch Length, CPR-137G Grooved Flange from 5.85 GHz to 8.2 GHz PEWSP1012](#)

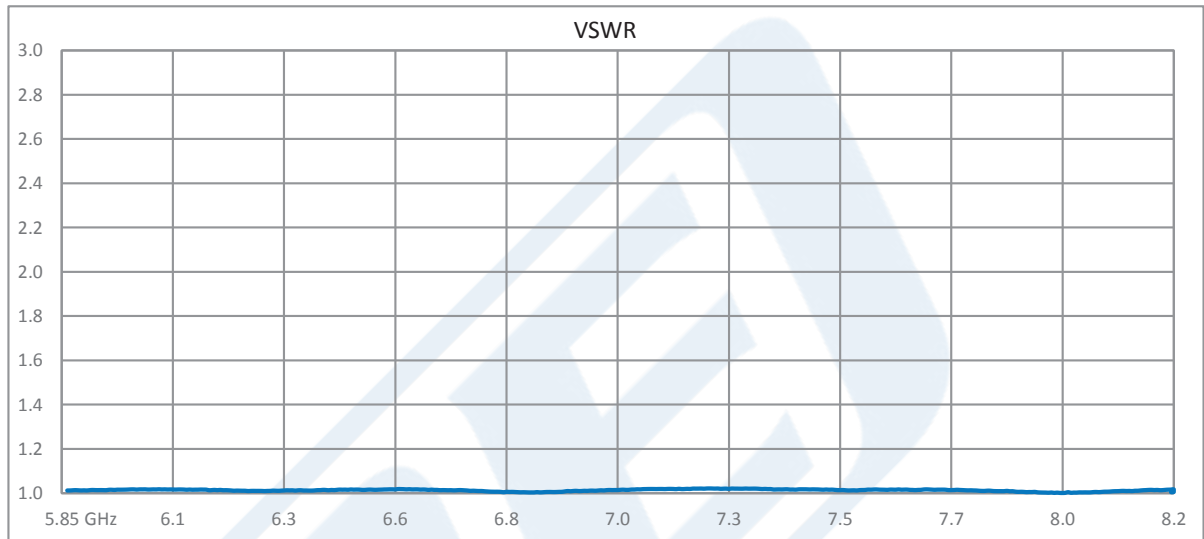


WR-137 Waveguide Pressurizing Section 4.25 Inch Length,  
CPR-137G Grooved Flange from 5.85 GHz to 8.2 GHz

TECHNICAL DATA SHEET

PEWSP1012

Power Data



WR-137 Waveguide Pressurizing Section 4.25 Inch Length, CPR-137G Grooved Flange from 5.85 GHz to 8.2 GHz from Pasternack Enterprises has same day shipment for domestic and International orders. Our RF, microwave and millimeter wave products maintain a 99.4% availability and are part of the broadest selection in the industry.

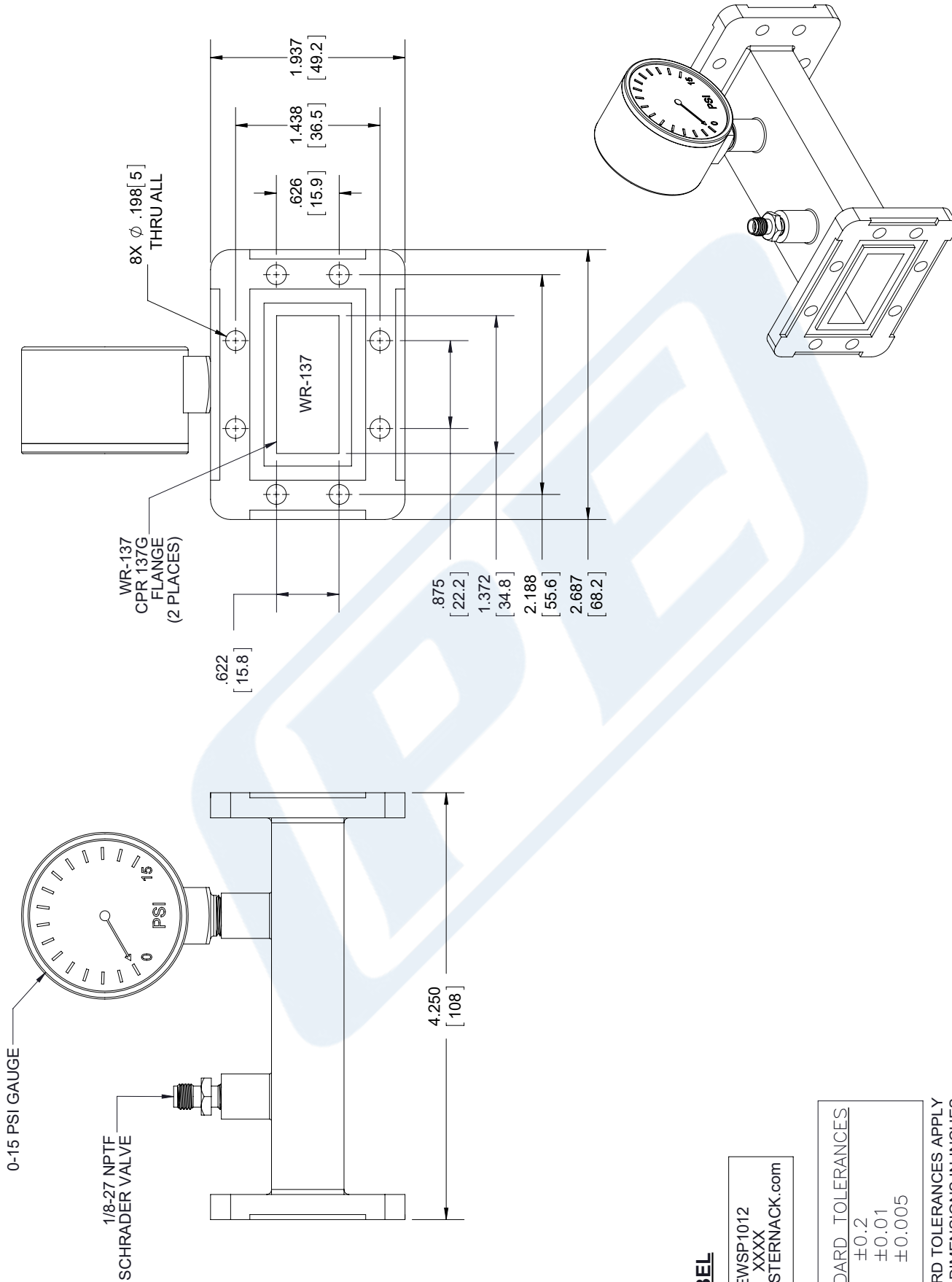
Click the following link (or enter part number in "SEARCH" on website) to obtain additional part information including price, inventory and certifications: [WR-137 Waveguide Pressurizing Section 4.25 Inch Length, CPR-137G Grooved Flange from 5.85 GHz to 8.2 GHz PEWSP1012](https://www.pasternack.com/wr-137-standard-straight-waveguide-section-cpr-137g-grooved-pewsp1012-p.aspx)

URL: <https://www.pasternack.com/wr-137-standard-straight-waveguide-section-cpr-137g-grooved-pewsp1012-p.aspx>

The information contained in this document is accurate to the best of our knowledge and representative of the part described herein. It may be necessary to make modifications to the part and/or the documentation of the part, in order to implement improvements. Pasternack reserves the right to make such changes as required. Unless otherwise stated, all specifications are nominal. Pasternack does not make any representation or warranty regarding the suitability of the part described herein for any particular purpose, and Pasternack does not assume any liability arising out of the use of any part or documentation.

# PEWSP1012 CAD Drawing

WR-137 Waveguide Pressurizing Section 4.25 Inch Length, CPR-137G Grooved Flange from 5.85 GHz to 8.2 GHz



## PE LABEL

PEWSP1012  
XXXX  
www.PASTERNAK.com

### STANDARD TOLERANCES

.X  $\pm 0.2$   
.XX  $\pm 0.01$   
.XXX  $\pm 0.005$

\*STANDARD TOLERANCES APPLY ONLY TO DIMENSIONS IN INCHES



Pasternack Enterprises, Inc.  
P.O. Box 16759 | Irvine | CA | 92623

Phone: (949) 261-1920 | Fax: (949) 261-7451  
Website: www.pasternack.com | E-Mail: sales@pasternack.com

DWG TITLE

PEWSP1012

NOTES:  
1. UNLESS OTHERWISE SPECIFIED ALL DIMENSIONS ARE NOMINAL.  
2. ALL SPECIFICATIONS ARE SUBJECT TO CHANGE WITHOUT NOTICE AT ANY TIME  
3. DIMENSIONS ARE IN INCHES [mm].

CAGE CODE 53919

CAD FILE 062017

SCALE N/A

SIZE A

9999