



53 Ohm Flexible RG58-P Plenum Rated Coax Cable Single Shielded with Black FEP Jacket

RF Cables Technical Data Sheet

RG58-P-BULK

Configuration

- Plenum Flexible Cable
- 1 Shield(s)

Description

Flexible RG58/U Type Plenum Rated Coax Cable Single Shielded with Black FEP Jacket

Electrical Specifications

Description	Minimum	Typical	Maximum	Units
Frequency Range	DC		1,000	MHz
Impedance		53		Ohms
Velocity of Propagation		69.5		%
Time Delay		1.48 [4.86]		ns/ft [ns/m]
Shielding Effectiveness	45			dB
Inner Conductor DC Resistance			10.2	Ohms/1000ft
Outer Conductor DC Resistance			6.7	Ohms/1000ft
Nominal Capacitance		26.4 [86.61]		pF/ft [pF/m]
Nominal Inductance		0.088 [0.29]		uH/ft [uH/m]

Performance by Frequency Band

Description	F1	F2	F3	F4	F5	Units
Frequency	1	10	50	100	200	MHz
Attenuation, Typ	0.5	1.2	3	4.3	6.4	dB/100ft
	1.64	3.94	9.84	14.11	21	dB/100m
Input Power (CW), Max	4,798	1,937	782	542	370	Watts

Description	F6	F7	F8	F9	F10	Units
Frequency	400	700	900	1,000		MHz
Attenuation, Typ	9.7	13.7	16.1	17.3		dB/100ft
	31.82	44.95	52.82	56.76		dB/100m
Input Power (CW), Max	248	177	153	143		Watts

Click the following link (or enter part number in "SEARCH" on website) to obtain additional part information including price, inventory and certifications: [53 Ohm Flexible RG58-P Plenum Rated Coax Cable Single Shielded with Black FEP Jacket RG58-P-BULK](#)



53 Ohm Flexible RG58-P Plenum Rated Coax Cable Single Shielded with Black FEP Jacket

RF Cables Technical Data Sheet

RG58-P-BULK

Mechanical Specifications

Diameter	0.159 in [4.04 mm]
Weight	0.026 lbs/ft [0.04 kg/m]
Min. Bend Radius (Repeated)	2 in [50.8 mm]

Construction Specifications

Description	Material and Plating	Diameter
Inner Conductor	Copper, 1 Strand	0.032 in [0.81 mm]
Conductor Type	Solid	
Dielectric	FEP	0.107 in [2.72 mm]
First Shield	Tinned Copper Braid 95% coverage	[]
Jacket	FEP, Black	0.159 in [4.04 mm]

Environmental Specifications

Temperature

Operating Range	-70 to +200 deg C
Plenum Rating	8240

Compliance Certifications (see [product page](#) for current document)

Plotted and Other Data

Notes:

53 Ohm Flexible RG58-P Plenum Rated Coax Cable Single Shielded with Black FEP Jacket from Pasternack Enterprises has same day shipment for domestic and International orders. Our RF, microwave and millimeter wave products maintain a 99.4% availability and are part of the broadest selection in the industry.

Click the following link (or enter part number in "SEARCH" on website) to obtain additional part information including price, inventory and certifications: [53 Ohm Flexible RG58-P Plenum Rated Coax Cable Single Shielded with Black FEP Jacket RG58-P-BULK](#)

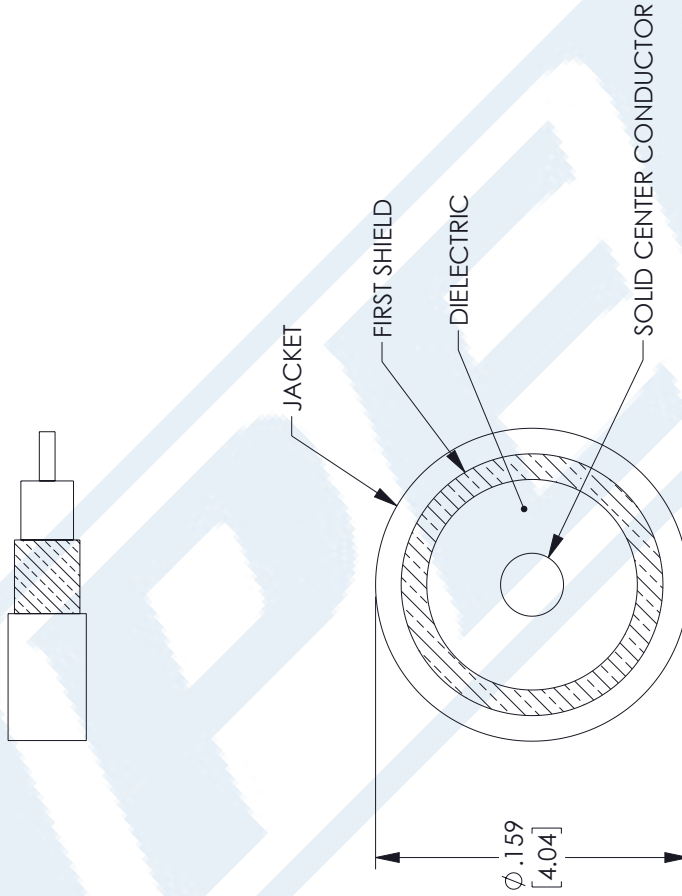
URL: <https://www.pasternack.com/flexible-0.163-rg58-plenum-50-ohm-coax-cable-fep-jacket-rg58-p-bulk-p.aspx>

The information contained in this document is accurate to the best of our knowledge and representative of the part described herein. It may be necessary to make modifications to the part and/or the documentation of the part, in order to implement improvements. Pasternack reserves the right to make such changes as required. Unless otherwise stated, all specifications are nominal. Pasternack does not make any representation or warranty regarding the suitability of the part described herein for any particular purpose, and Pasternack does not assume any liability arising out of the use of any part or documentation.

RG58-P-BULK CAD Drawing

53 Ohm Flexible RG58-P Plenum Rated Coax Cable
Single Shielded with Black FEP Jacket

REVISIONS			
REV.	DESCRIPTION	DATE	APPROVED
A	INITIAL RELEASE	03/11/2022	AGANWANI



UNLESS OTHERWISE SPECIFIED
LEADING DIMENSIONS ARE INCHES
DIMENSIONS IN [] ARE MILLIMETERS

TOLERANCES:

.X = ±.2	[5.08]	FRACTIONS
.XX = ±.02	[.51]	± 1/32
.XXX = ±.005	[.13]	ANGLES ± 1°

CABLE LENGTH (L) TOLERANCES:

L ≤ 12	[305]	= +1 [25] / -0
12 [305] < L ≤ 60	[1524]	= +2 [51] / -0
60 [1524] < L ≤ 120	[3048]	= +4 [102] / -0
120 [3048] < L ≤ 300	[7620]	= +6 [152] / -0
300 [7620] < L		= +5%L / -0

ALL DIMENSIONS SHOWN
ARE FOR REFERENCE ONLY.

(PE) PASTERNAK
an INFINITI[®] brand

Pasternack Enterprises, Inc.
P. O. Box 16759, Irvine, CA 92623.
Phone: 1.949.261.1920 | 1.866.727.8376
Fax: 1.949.261.7451
Website: www.pasternack.com
E-mail: sales@pasternack.com

ITEM NO. RG58-P-BULK

SIZE A CAGE CODE 53919 DRAWN BY DZINN

THIRD-ANGLE PROJECTION

THE INFORMATION AND
DESIGN IN THIS DOCUMENT
IS THE PROPERTY OF
PASTERNAK CORPORATION
ALL RIGHTS RESERVED.

SHEET 1 OF 1

SCALE N/A

REV A