

75 Ohm Flexible RG6-CATV Coax Cable Triple Shielded with Black PVC (NC) Jacket

RF Cables Technical Data Sheet

RG6-CATV-BULK

Configuration

- Flexible Cable
- 3 Shield(s)

Electrical Specifications

Description	Minimum	Typical	Maximum	Units
Frequency Range	DC		3	GHz
Impedance		75		Ohms
Velocity of Propagation		85		%
Shielding Effectiveness	70			dB
Inner Conductor DC Resistance			6.4	Ohms/1000ft
Outer Conductor DC Resistance			9.2	Ohms/1000ft
Nominal Capacitance		16.2 [53.15]		pF/ft [pF/m]

Performance by Frequency Band

Description	F1	F2	F3	F4	F5	Units
Frequency	0.25	0.55	1	1.45	2.15	GHz
Attenuation, Typ	3.3	4.91	6.56	7.91	9.71	dB/100ft
	10.83	16.11	21.52	25.95	31.86	dB/100m

Mechanical Specifications

Diameter	0.278 in [7.06 mm]
Weight	0.027 lbs/ft [0.04 kg/m]
Min. Bend Radius (Repeated)	1.38 in [35.05 mm]

Construction Specifications

Description	Material and Plating	Diameter
Inner Conductor	Copper, 1 Strand	0.04 in [1.02 mm]
Conductor Type	Solid	
Dielectric	PE (F)	0.18 in [4.57 mm]

Click the following link (or enter part number in "SEARCH" on website) to obtain additional part information including price, inventory and certifications: [75 Ohm Flexible RG6-CATV Coax Cable Triple Shielded with Black PVC \(NC\) Jacket RG6-CATV-BULK](#)



75 Ohm Flexible RG6-CATV Coax Cable Triple Shielded with Black PVC (NC) Jacket

RF Cables Technical Data Sheet

RG6-CATV-BULK

First Shield	Aluminum Tape	[]
Second Shield	Aluminum Braid	[]
Third Shield	Aluminum Tape	0.22 in [5.59 mm]
Jacket	PVC (NC), Black	0.278 in [7.06 mm]

Environmental Specifications

Temperature

Operating Range

-20 to +80 deg C

Storage Range

-40 to +80 deg C

Compliance Certifications (see [product page](#) for current document)

Plotted and Other Data

Notes:

75 Ohm Flexible RG6-CATV Coax Cable Triple Shielded with Black PVC (NC) Jacket from Pasternack Enterprises has same day shipment for domestic and International orders. Our RF, microwave and millimeter wave products maintain a 99.4% availability and are part of the broadest selection in the industry.

Click the following link (or enter part number in "SEARCH" on website) to obtain additional part information including price, inventory and certifications: [75 Ohm Flexible RG6-CATV Coax Cable Triple Shielded with Black PVC \(NC\) Jacket RG6-CATV-BULK](#)

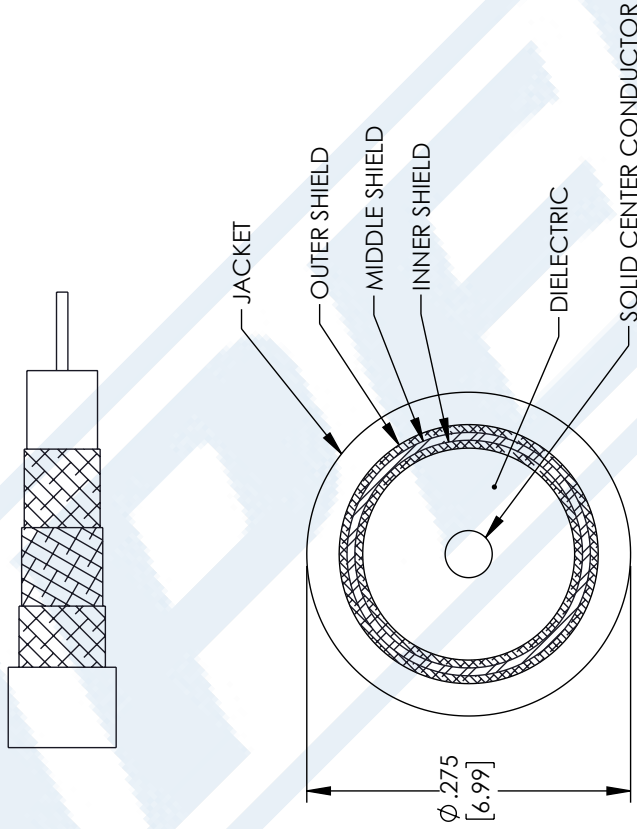
URL: <https://www.pasternack.com/flexible-0.275-rg6-catv-75-ohm-coax-cable-pvc-jacket-rg6-catv-bulk-p.aspx>

The information contained in this document is accurate to the best of our knowledge and representative of the part described herein. It may be necessary to make modifications to the part and/or the documentation of the part, in order to implement improvements. Pasternack reserves the right to make such changes as required. Unless otherwise stated, all specifications are nominal. Pasternack does not make any representation or warranty regarding the suitability of the part described herein for any particular purpose, and Pasternack does not assume any liability arising out of the use of any part or documentation.

RG6-CATV-BULK CAD Drawing

75 Ohm Flexible RG6-CATV Coax Cable Triple Shielded with Black PVC (NC) Jacket

REVISIONS			
REV.	DESCRIPTION	DATE	APPROVED
A	INITIAL RELEASE	03/11/2022	AGANWANI



UNLESS OTHERWISE SPECIFIED LEADING DIMENSIONS ARE INCHES DIMENSIONS IN [] ARE MILLIMETERS

TOLERANCES:

.X = ±.2 [.08] FRACTIONS ± 1/32
 .XX = ±.02 [.51] ANGLES ± 1°
 .XXX = ±.005 [.13]

CABLE LENGTH (L) TOLERANCES:

L ≤ 12 [305] = +1 [25] / -0
 12 [305] < L ≤ 60 [1524] = +2 [51] / -0
 60 [1524] < L ≤ 120 [3048] = +4 [102] / -0
 120 [3048] < L ≤ 300 [7620] = +6 [152] / -0
 300 [7620] < L = +5% / -0

ALL DIMENSIONS SHOWN ARE FOR REFERENCE ONLY.

PE PASTERNAK
 an INFINITI brand

Pasternack Enterprises, Inc.
 P. O. Box 16759, Irvine, CA 92623.
 Phone: 1.949.261.1920 | 1.866.727.8376
 Fax: 1.949.261.7451
 Website: www.pasternack.com
 E-mail: sales@pasternack.com

ITEM NO. RG6-CATV-BULK

SIZE A CAGE CODE 53919 DRAWN BY DZINN

THIRD-ANGLE PROJECTION

THE INFORMATION AND DESIGN IN THIS DOCUMENT IS THE PROPERTY OF PASTERNAK CORPORATION ALL RIGHTS RESERVED.

SHEET 1 OF 1

SCALE N/A

REV A

THESE COMMODITIES, TECHNOLOGY OR SOFTWARE WERE EXPORTED FROM THE UNITED STATES IN ACCORDANCE WITH THE EXPORT ADMINISTRATION REGULATIONS. DIVERSION CONTRARY TO U.S. LAW PROHIBITED.