



TNC Female Connector Crimp/Non-Solder Contact Attachment for LMR-240, PE-C240, RG8X

RF Connectors Technical Data Sheet



SZ-240-TF

Times Microwave Systems Connector Specification

Configuration

- TNC Female Connector
- 50 Ohms
- Straight Body Geometry
- Connector Interface Types: LMR-240, PE-C240, RG8X

Features

- Max. Operating Frequency 6 GHz
- Excellent VSWR of 1.25:1
- Gold Plated Phosphor Bronze Contact
- 30 μ Minimum contact plating

Applications

- General Purpose Test
- Custom Cable Assemblies

Description

Pasternack's SZ-240-TF, TNC, Standard, Connector is part of our full line of RF components available for same-day shipping. Our TNC female connector operates up to a maximum frequency of 6 GHz and offers excellent VSWR of 1.25:1.

Our TNC female connector SZ-240-TF datasheet specifications and drawing with dimensions are shown below in this PDF. Pasternack's broad catalog of RF, microwave and millimeter wave connectors allows designers to configure and customize their signal connections however they like. Whether the need is to provide an I/O for a board design, or simply create a custom cable assembly configuration, Pasternack has the right connector for the job. Pasternack can also expertly build your custom cable assemblies for you and ship same-day.

Electrical Specifications

Description	Minimum	Typical	Maximum	Units
Frequency Range	DC		6	GHz
VSWR			1.25:1	
Operating Voltage (AC)			500	Vrms
Impedance		50		Ohms
Dielectric Withstanding Voltage (AC)			1,000	Vrms
Inner Conductor DC Resistance			1.5	mOhms
Outer Conductor DC Resistance			1	mOhms
Insulation Resistance	5,000			MOhms

Mechanical Specifications

Size

Length	1.06 in [26.92 mm]
Width	0.44 in [11.10 mm]
Height	0.00 in [0.00 mm]
Weight	0.03 lbs [11.34 g]
Mating Cycles	500 Cycles

Click the following link (or enter part number in "SEARCH" on website) to obtain additional part information including price, inventory and certifications: [TNC Female Connector Crimp/Non-Solder Contact Attachment for LMR-240, PE-C240, RG8X SZ-240-TF](#)



TNC Female Connector Crimp/Non-Solder Contact Attachment for LMR-240, PE-C240, RG8X

RF Connectors
Technical Data Sheet

Mating Torque 20 in-lbs [2.26 Nm]
Cable Retention Force 60 lbs 27.22 kg

Material Specifications

Description	Material	Plating
Contact	Phosphor Bronze	Gold 30µ Minimum
Insulation	Teflon	
Body	Brass	Nickel 200µ In.
Crimp Sleeve	Copper	Nickel 200µ In.

Environmental Specifications

Temperature

Operating Range -55 to +155 deg C
Shock US MIL-STD 202, Meth 213, Cond. I
Vibration US MIL-STD 202, Meth. 204, Cond. B
Thermal Shock US MIL-STD 202, Meth. 107, Cond. B

Compliance Certifications (see [product page](#) for current document)

Plotted and Other Data

Notes:

Click the following link (or enter part number in "SEARCH" on website) to obtain additional part information including price, inventory and certifications: [TNC Female Connector Crimp/Non-Solder Contact Attachment for LMR-240, PE-C240, RG8X SZ-240-TF](#)



TNC Female Connector Crimp/Non-Solder Contact Attachment for LMR-240, PE-C240, RG8X

RF Connectors Technical Data Sheet

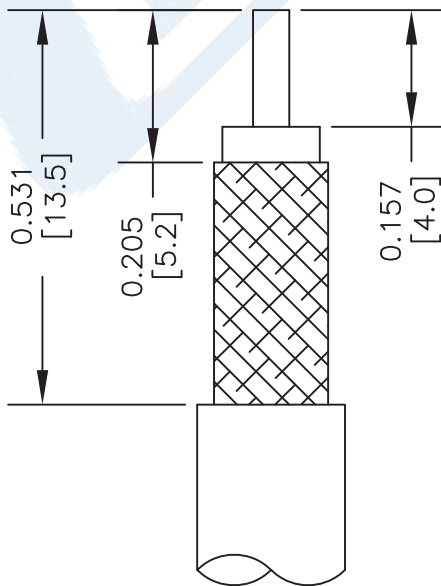
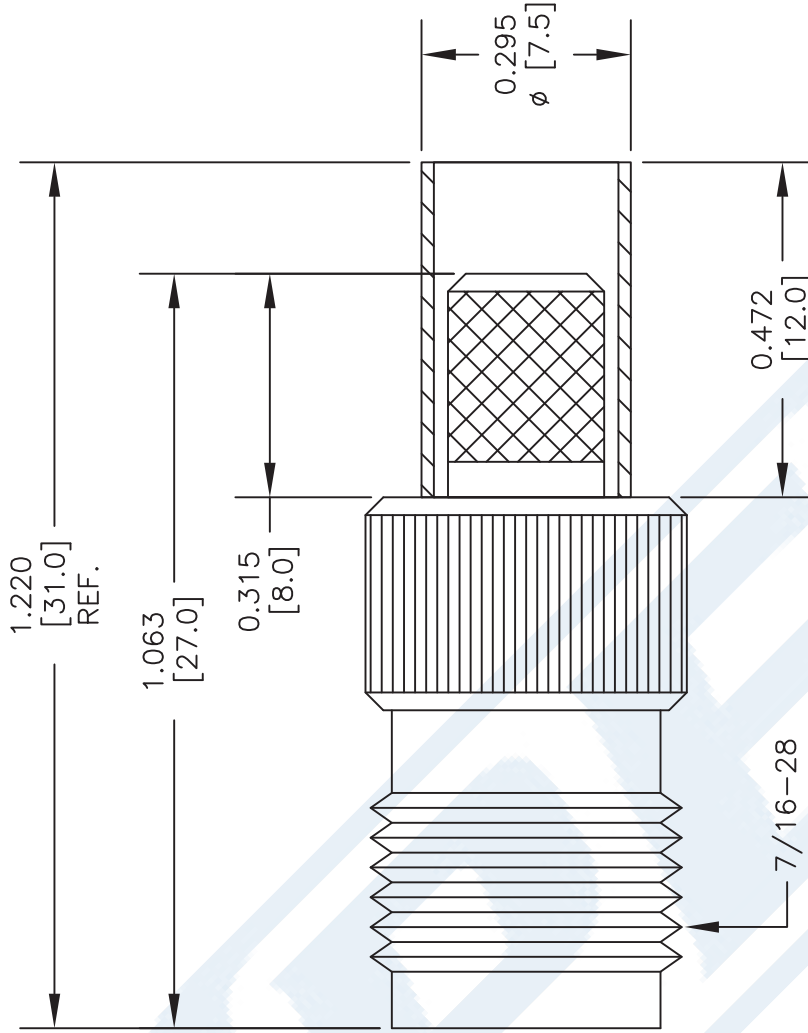
TNC Female Connector Crimp/Non-Solder Contact Attachment for LMR-240, PE-C240, RG8X from Pasternack Enterprises has same day shipment for domestic and International orders. Our RF, microwave and millimeter wave products maintain a 99.4% availability and are part of the broadest selection in the industry.

Click the following link (or enter part number in "SEARCH" on website) to obtain additional part information including price, inventory and certifications: [TNC Female Connector Crimp/Non-Solder Contact Attachment for LMR-240, PE-C240, RG8X SZ-240-TF](https://www.pasternack.com/tnc-female-lmr-240-pe-c240-rg8x-connector-sz-240-tf-p.aspx)

URL: <https://www.pasternack.com/tnc-female-lmr-240-pe-c240-rg8x-connector-sz-240-tf-p.aspx>

The information contained in this document is accurate to the best of our knowledge and representative of the part described herein. It may be necessary to make modifications to the part and/or the documentation of the part, in order to implement improvements. Pasternack reserves the right to make such changes as required. Unless otherwise stated, all specifications are nominal. Pasternack does not make any representation or warranty regarding the suitability of the part described herein for any particular purpose, and Pasternack does not assume any liability arising out of the use of any part or documentation.

TIMES MICROWAVE SYSTEMS **SZ-240-TF CAD Drawing**
 TNC Female Connector Crimp/Non-Solder Contact
 Attachment for LMR-240, PE-C240, RG8X



STRIPPING DIMENSIONS
CRIMP SIZE REQUIRED

FERRULE: .256" HEX CRIMP TOOL

DWG TITLE

SZ-240-TF

FSCM NO. 53919

- NOTES:
1. UNLESS OTHERWISE SPECIFIED ALL DIMENSIONS ARE NOMINAL.
 2. ALL SPECIFICATIONS ARE SUBJECT TO CHANGE WITHOUT NOTICE AT ANY TIME.
 3. DIMENSIONS ARE IN INCHES [mm].
 4. FITS MIL-C-17 AND EQUIVALENT CABLES.

CAD FILE 092118

SCALE N/A

SIZE A

2233



Pasternack Enterprises, Inc.
 P.O. Box 16759 | Irvine | CA | 92623
 Phone: (949) 261-1920 | Fax: (949) 261-7451
 Website: www.pasternack.com | E-Mail: sales@pasternack.com