



4.3-10 Male Low PIM Snap-On Connector Solder Attachment for SPP-250-LLPL

RF Connectors Technical Data Sheet



TC-SPP250-4310MS-LP

Times Microwave Systems Connector Specification

Configuration

- Snap-On 4.3-10 Male Connector
- 50 Ohms
- Straight Body Geometry
- SPP-250-LLPL Interface Type
- Solder/Solder Attachment
- Low PIM Design

Features

- Max. Operating Frequency 6 GHz
- Good VSWR of 1.35:1
- PIM levels lower than -160 dBc
- Silver Plated Brass Contact
- 200 μ m contact plating

Applications

- General Purpose Test
- Custom Cable Assemblies
- Distributed Antenna Systems (DAS)
- Wireless Communications
- Low PIM Applications

Description

Times Microwave's TC-SPP250-4310MS-LP 4.3-10 male snap-on connector offered by Pasternack with solder/solder attachment for Times' SPP-250-LLPL is part of our full line of RF components available for same-day shipping. Times Microwave's 4.3-10 male connector operates up to a maximum frequency of 6 GHz and offers good VSWR of 1.35:1. The Times 4.3-10 male connector also has low passive intermodulation of -160 dBc.

Times Microwave's 4.3-10 male connector TC-SPP250-4310MS-LP datasheet specifications and drawing with dimensions are shown below in this PDF. Pasternack's broad catalog of RF, microwave and millimeter wave connectors allows designers to configure and customize their signal connections however they like. Whether the need is to provide an I/O for a board design, or simply create a custom cable assembly configuration, Pasternack has the right connector for the job. Pasternack can also expertly build your custom cable assemblies for you and ship same-day.

Electrical Specifications

| Description | Minimum | Typical | Maximum | Units |
|-------------------------|---------|---------|---------|-------|
| Frequency Range | DC | | 6 | GHz |
| VSWR | | | 1.35:1 | |
| Insertion Loss | | | 0.25 | dB |
| Passive Intermodulation | | | -160 | dBc |
| Operating Voltage (DC) | | | 1,000 | Vdc |
| Insulation Resistance | 5,000 | | | MOhms |

Click the following link (or enter part number in "SEARCH" on website) to obtain additional part information including price, inventory and certifications: [4.3-10 Male Low PIM Snap-On Connector Solder Attachment for SPP-250-LLPL TC-SPP250-4310MS-LP](#)



4.3-10 Male Low PIM Snap-On Connector Solder Attachment for SPP-250-LLPL

RF Connectors Technical Data Sheet



TC-SPP250-4310MS-LP

Performance by Frequency

| Description | F1 | F2 | F3 | F4 | F5 | Units |
|-----------------|---------|--------|----|----|----|-------|
| Frequency Range | DC to 3 | 3 to 6 | | | | GHz |
| VSWR, Max | 1.15:1 | 1.35:1 | | | | |

Electrical Specification Notes:
Insertion Loss is $0.1 \cdot \sqrt{f(\text{GHz})}$

Mechanical Specifications

Size

Length 1.13 in [28.7 mm]
Width/Dia. 0.99 in [25.15 mm]

Mating Torque 44.25 in-lbs [5.00 Nm]

Material Specifications

| Description | Material | Plating |
|--------------|----------|--------------------------------|
| Contact | Brass | Silver 200 μin |
| Insulation | PTFE | |
| Body | Brass | Tri-Metal 80 μin |
| Coupling Nut | Brass | Tri-Metal 80 μin |
| Gasket | Silicone | |

Environmental Specifications

Temperature

Operating Range -55 to +85 deg C
Shock MIL-STD 202G, Method 213, Condition I
Vibration MIL-STD 202G, Method 204, Condition B
Thermal Shock MIL-STD 202G, Method 107, Condition B

Compliance Certifications (see [product page](#) for current document)

Plotted and Other Data

Notes:

Click the following link (or enter part number in "SEARCH" on website) to obtain additional part information including price, inventory and certifications: [4.3-10 Male Low PIM Snap-On Connector Solder Attachment for SPP-250-LLPL TC-SPP250-4310MS-LP](#)



4.3-10 Male Low PIM Snap-On Connector Solder Attachment for SPP-250-LLPL

RF Connectors Technical Data Sheet



TC-SPP250-4310MS-LP

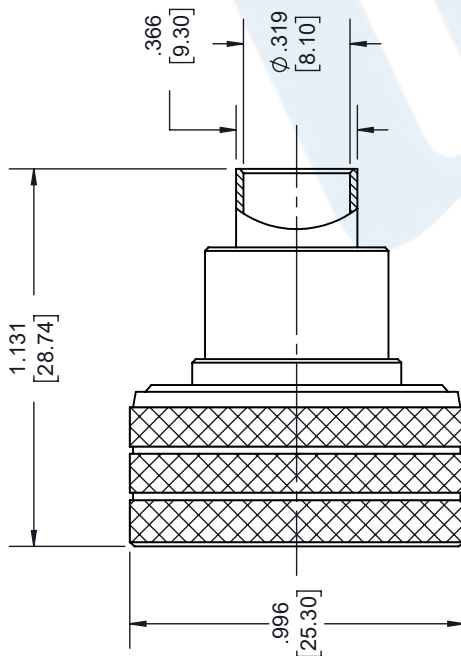
4.3-10 Male Low PIM Snap-On Connector Solder Attachment for SPP-250-LLPL from Pasternack Enterprises has same day shipment for domestic and International orders. Our RF, microwave and millimeter wave products maintain a 99.4% availability and are part of the broadest selection in the industry.

Click the following link (or enter part number in "SEARCH" on website) to obtain additional part information including price, inventory and certifications: [4.3-10 Male Low PIM Snap-On Connector Solder Attachment for SPP-250-LLPL TC-SPP250-4310MS-LP](https://www.pasternack.com/4.3-10-male-snap-on-spp-250-llpl-connector-tc-spp250-4310ms-lp-p.aspx)

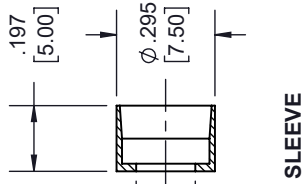
URL: <https://www.pasternack.com/4.3-10-male-snap-on-spp-250-llpl-connector-tc-spp250-4310ms-lp-p.aspx>

The information contained in this document is accurate to the best of our knowledge and representative of the part described herein. It may be necessary to make modifications to the part and/or the documentation of the part, in order to implement improvements. Pasternack reserves the right to make such changes as required. Unless otherwise stated, all specifications are nominal. Pasternack does not make any representation or warranty regarding the suitability of the part described herein for any particular purpose, and Pasternack does not assume any liability arising out of the use of any part or documentation.

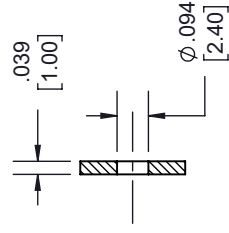
| REVISIONS | | |
|-----------|-----------------|----------|
| REV. | DESCRIPTION | DATE |
| A | INITIAL RELEASE | 03/05/19 |
| | | APPROVED |
| | | S. ELLIS |



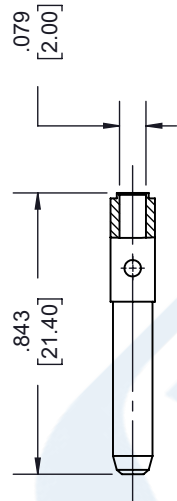
4.3-10 SNAP ON MALE



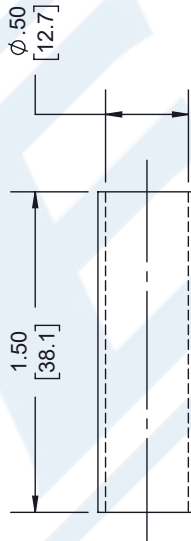
SLEEVE



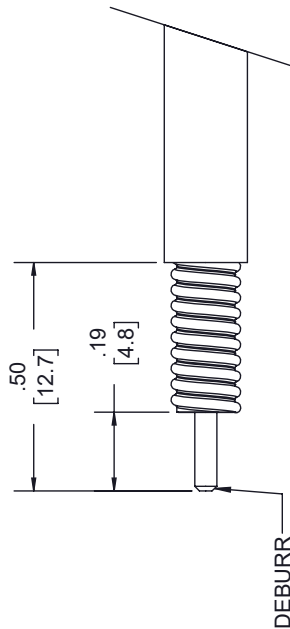
INSULATOR



CONTACT

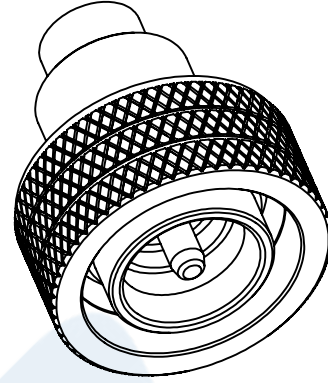


HEAT SHRINK TUBE



STRIPPING DIMENSIONS

- NOTES:
- CABLE ATTACHMENT:
 - OUTER: SOLDER.
 - INNER: SOLDER.



| | |
|--|-------------|
| UNLESS OTHERWISE SPECIFIED LEADING DIMENSIONS ARE INCHES DIMENSIONS IN [] ARE MILLIMETERS | |
| TOLERANCES: | FRACTIONS |
| X±.2 [5.08] | +1/32 |
| XX±.01 [0.25] | |
| XXX±.005 [0.13] | ANGLES ± 1° |
| ALL DIMENSIONS SHOWN ARE FOR REFERENCE ONLY. | |
| THIRD-ANGLE PROJECTION | |

PEJ PASTERNAK
 an INFINITO brand

Pasternack Enterprises, Inc.
 P. O. Box 16759, Irvine, CA 92623.
 Phone: 1.949.261.1920 | 1.866.727.8376
 Fax: 1.949.261.7451
 www.pasternack.com | e-mail: sales@pasternack.com

THE INFORMATION AND DESIGN IN THIS DOCUMENT IS THE PROPERTY OF PASTERNAK CORPORATION. ALL RIGHTS RESERVED.

SHEET 1 OF 1
 SCALE N/A

REV. A

PART NUMBER: TC-SPP250-4310MS-LP

DRAWN BY: K.DANG

CAGE CODE: 53919

THESE COMMODITIES, TECHNOLOGY OR SOFTWARE WERE EXPORTED FROM THE UNITED STATES IN ACCORDANCE WITH THE EXPORT ADMINISTRATION REGULATIONS. DIVERSION CONTRARY TO U.S. LAW PROHIBITED.