

MHV Male Right Angle to MHV Male Right Angle Cable Using RG58 Coax, LF Solder



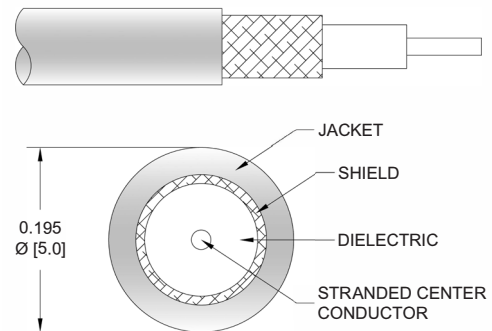
PE3165LF

Configuration

- Connector 1: MHV Male Right Angle
- Connector 2: MHV Male Right Angle
- Cable Type: RG58
- Coax Flex Type: Flexible

Features

- Max Frequency 300 MHz
- 65.9% Phase Velocity
- PVC (NC) Jacket



Applications

- General Purpose
- Laboratory Use

Description

Pasternack's PE3165LF MHV male right angle to MHV male right angle cable using RG58 coax is part of our full line of RF components available for same-day shipping. Pasternack's flexible RF cable assemblies are ideal for applications where tight bends and flexure are required. This Pasternack MHV to MHV cable assembly has a male to male gender configuration with 50 ohm flexible RG58 coax. The PE3165LF MHV male to MHV male cable assembly operates to 300 MHz. The right angle MHV interfaces on the RG58 cable allow for easier connections in tight spaces.

Custom versions of most RF cable assemblies can be built and shipped same day. Custom cable assembly lengths can be obtained by specifying the desired length on the web site at time of order or by contacting a sales representative. Other available RF cable assembly value added services include connector orientation or clocking, heat shrink booting and custom labeling. RF testing can also be performed to document the electrical performance of your cable assembly.

Electrical Specifications

Description	Minimum	Typical	Maximum	Units
Frequency Range	DC		300	GHz
VSWR			1.4:1	
Velocity of Propagation		65.9		%
Capacitance		30.8 [101.05]		pF/ft [pF/m]
Operating Voltage (AC)			1,400	V _{rms}

Specifications by Frequency

MHV Male Right Angle to MHV Male Right Angle
Cable Using RG58 Coax, LF Solder



PE3165LF

Part Number	Length	Description	F1	F2	F3	F4	Units	Weight (lbs)
			Frequency	50	100	250	300	
PE3165LF	Custom Lengths Available	Insertion Loss (Typ.)	0.029	0.049	0.074	0.082	dB/ft	
			0.1	0.17	0.25	0.27	dB/m	
PE3165LF-12	12 In	Insertion Loss (Typ.)	0.43	0.45	0.48	0.49	dB	0.164
PE3165LF-24	24 In	Insertion Loss (Typ.)	0.46	0.5	0.55	0.57	dB	0.188
PE3165LF-36	36 In	Insertion Loss (Typ.)	0.49	0.55	0.63	0.65	dB	0.212
PE3165LF-48	48 In	Insertion Loss (Typ.)	0.52	0.6	0.7	0.73	dB	0.236
PE3165LF-200CM	200 CM	Insertion Loss (Typ.)	0.6	0.73	0.89	0.94	dB	0.298

The insertion loss data for the base model does not include loss due to the connectors. Each length includes insertion loss due to the connectors.

Loss due to Connector 1:	0.2 dB
Loss due to Connector 2:	0.2 dB
Base Weight:	0.164 pounds
Additional Weight per Inch:	0.002 pounds

Mechanical Specifications

Cable Assembly

Width/Diameter	0.5 in [12.7 mm]
Weight	0.164 lbs [74.39 g]

Cable

Cable Type	RG58
Impedance	50 Ohms
Inner Conductor Type	Stranded
Inner Conductor Material and Plating	Copper, Tin
Dielectric Type	PE
Number of Shields	1
Shield Layer 1	Tinned Copper Braid
Jacket Material	PVC (NC), Black
Jacket Diameter	0.195 in [4.95 mm]
One Time Minimum Bend Radius	0.98 in [24.89 mm]
Repeated Minimum Bend Radius	1.96 in [49.78 mm]

MHV Male Right Angle to MHV Male Right Angle
Cable Using RG58 Coax, LF Solder



PE3165LF

Connectors

Description	Connector 1	Connector 2
Type	MHV Male Right Angle	MHV Male Right Angle
Specification	MIL-STD-348A	MIL-STD-348A
Impedance	50 Ohms	50 Ohms
Configuration	Right Angle	Right Angle
Contact Material and Plating	Brass, Gold	Brass, Gold
Contact Plating Specification	30 µin minimum	30 µin minimum
Dielectric Type	PTFE	PTFE
Body Material and Plating	Brass, Nickel	Brass, Nickel
Body Plating Specification	100 µin minimum	100 µin minimum
Coupling Nut Material and Plating	Brass, Nickel	Brass, Nickel
Coupling Nut Plating Specification	100 µin minimum	100 µin minimum

Environmental Specifications

Operating Range Temperature -40 to +80 deg C

Compliance Certifications (see [product page](#) for current document)

Plotted and Other Data

Notes:

MHV Male Right Angle to MHV Male Right Angle Cable Using RG58 Coax, LF Solder

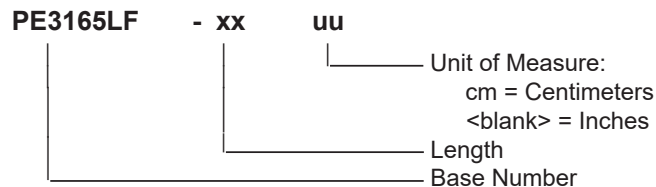


PE3165LF

Typical Performance Data

How to Order

Part Number Configuration:



Example: PE3165LF-12 = 12 inches long cable
PE3165LF-100cm = 100 cm long cable

MHV Male Right Angle to MHV Male Right Angle Cable Using RG58 Coax, LF Solder from Pasternack Enterprises has same day shipment for domestic and International orders. Our RF, microwave and millimeter wave products maintain a 99.4% availability and are part of the broadest selection in the industry.

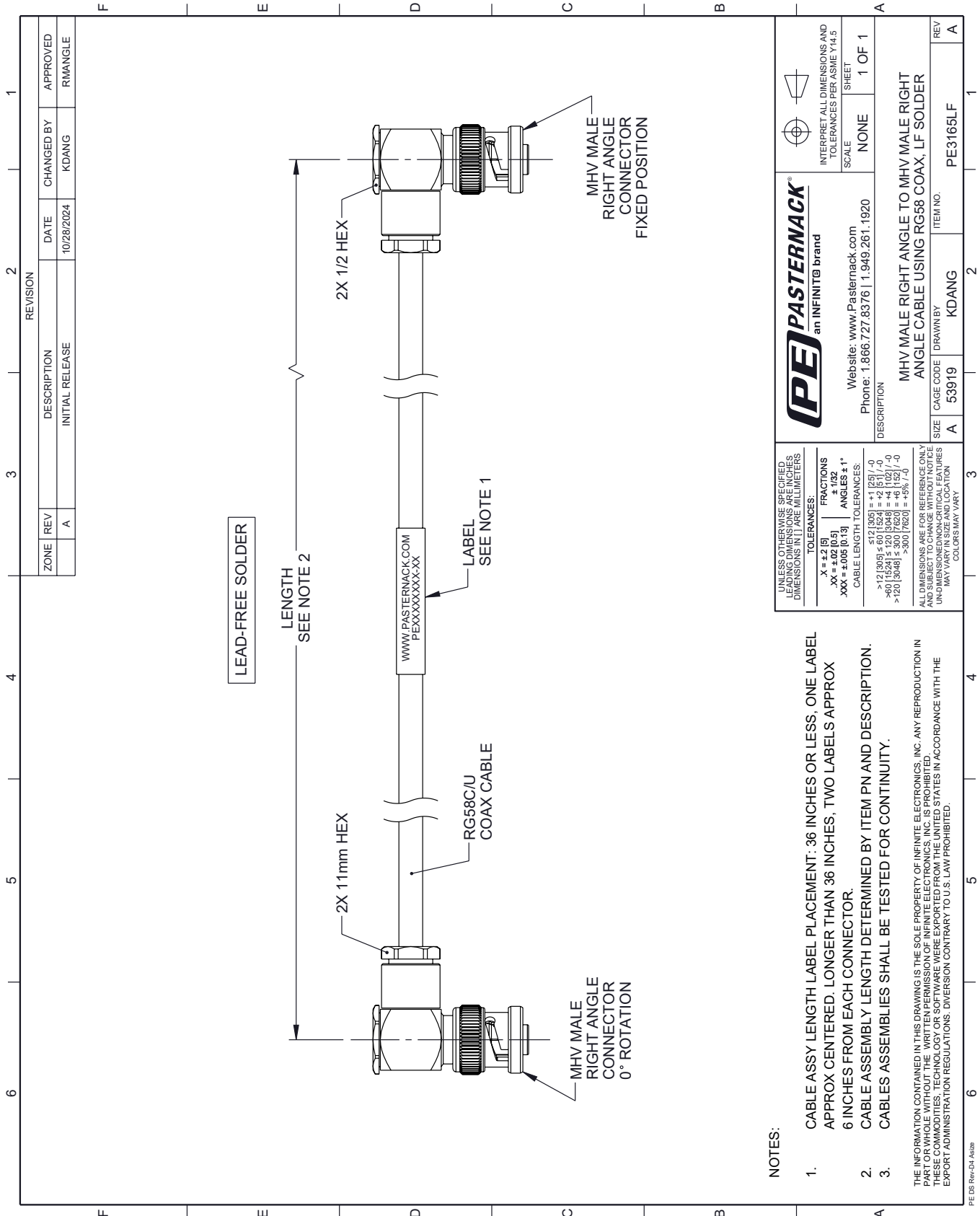
Click the following link (or enter part number in "SEARCH" on website) to obtain additional part information including price, inventory and certifications: [MHV Male Right Angle to MHV Male Right Angle Cable Using RG58 Coax, LF Solder PE3165LF](#)

URL: <https://www.pasternack.com/mhv-male-right-angle-to-mhv-male-cable-using-rg58-lf-solder-pe3165lf-p.aspx>

The information contained within this document is accurate to the best of our knowledge and representative of the part described herein. It may be necessary to make modifications to the part and/or the documentation of the part in order to implement improvements. Pasternack Enterprises reserves the right to make such changes as required. Unless otherwise stated, all specifications are nominal. Pasternack Enterprises does not make any representation or warranty regarding the suitability of the part described herein for any particular purpose, and Pasternack Enterprises does not assume liability arising out of the use of any part or document.

PE3165LF CAD Drawing

MHV Male Right Angle to MHV Male Right Angle Cable Using RG58 Coax, LF Solder



NOTES:

1. CABLE ASSY LENGTH LABEL PLACEMENT: .36 INCHES OR LESS, ONE LABEL APPROX CENTERED. LONGER THAN .36 INCHES, TWO LABELS APPROX .6 INCHES FROM EACH CONNECTOR.
2. CABLE ASSEMBLY LENGTH DETERMINED BY ITEM PN AND DESCRIPTION.
3. CABLE ASSEMBLIES SHALL BE TESTED FOR CONTINUITY.

THE INFORMATION CONTAINED IN THIS DRAWING IS THE SOLE PROPERTY OF INFINITE ELECTRONICS, INC. ANY REPRODUCTION IN PART OR WHOLE WITHOUT THE WRITTEN PERMISSION OF INFINITE ELECTRONICS, INC. IS PROHIBITED. THESE COMMODITIES, TECHNOLOGY OR SOFTWARE WERE EXPORTED FROM THE UNITED STATES IN ACCORDANCE WITH THE EXPORT ADMINISTRATION REGULATIONS. DIVERSION CONTRARY TO U.S. LAW PROHIBITED.

UNLESS OTHERWISE SPECIFIED, LEADING DIMENSIONS ARE IN INCHES. DIMENSIONS IN [] ARE MILLIMETERS.	
TOLERANCES:	FRACTIONS
.X = ±.2 [5]	± 1/32
.XX = ±.02 [0.5]	± .005 [0.13]
.XXX = ±.005 [0.13]	ANGLES ± 1°
CABLE LENGTH TOLERANCES:	
<12 [305]	±.12 [3.05]
>12 [305] ≤ 60 [1524]	±.12 [3.05]
>60 [1524] ≤ 120 [3048]	±.12 [3.05]
>120 [3048]	±.12 [3.05]
ALL DIMENSIONS ARE FOR REFERENCE ONLY. UNDIMENSIONED NON-CRITICAL FEATURES MAY VARY IN SIZE AND LOCATION. COLORS MAY VARY.	

PE PASTERNAK
an INFINITB brand

Website: www.Pasternack.com
Phone: 1.866.727.8376 | 1.949.261.1920

INTERPRET ALL DIMENSIONS AND TOLERANCES PER ASME Y14.5

SCALE: NONE

SHEET: 1 OF 1

DESCRIPTION		ITEM NO.	
MHV MALE RIGHT ANGLE TO MHV MALE RIGHT ANGLE CABLE USING RG58 COAX, LF SOLDER		PE3165LF	
SIZE	CAGE CODE	DRAWN BY	REV
A	53919	KDANG	A