

N Male Right Angle to N Female Bulkhead Cable 24 Inch Length Using RG58 Coax, LF Solder

PE3407LF-24

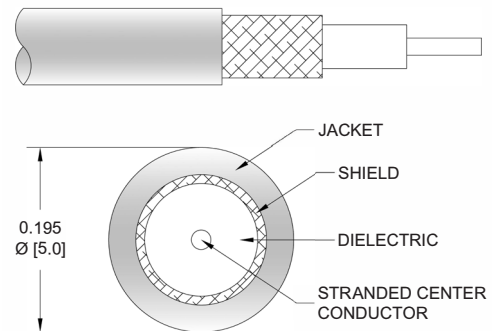


Configuration

- Connector 1: N Male Right Angle
- Connector 2: N Female Bulkhead
- Cable Type: RG58
- Coax Flex Type: Flexible

Features

- Shielding Effectivity > 45 dB
- 65.9% Phase Velocity
- PVC (NC) Jacket



Applications

- General Purpose
- Laboratory Use

Description

Pasternack's PE3407LF-24 type N male right angle to type N female bulkhead 24 inch cable using RG58 coax is part of our full line of RF components available for same-day shipping. Pasternack's flexible RF cable assemblies are ideal for applications where tight bends and flexure are required. This Pasternack type N to type N cable assembly has a male to female gender configuration with 50 ohm flexible RG58 coax. The right angle type N interface on the RG58 cable allows for easier connections in tight spaces. Our RF cable assembly with type N bulkhead interface allows designers to create external connections on their product enclosures, and can be used in a variety of other rack mount and panel mount applications.

Custom versions of most RF cable assemblies can be built and shipped same day. Custom cable assembly lengths can be obtained by specifying the desired length on the web site at time of order or by contacting a sales representative. Other available RF cable assembly value added services include connector orientation or clocking, heat shrink booting and custom labeling. RF testing can also be performed to document the electrical performance of your cable assembly.

Electrical Specifications

Description	Minimum	Typical	Maximum	Units
Velocity of Propagation		65.9		%
RF Shielding	45			dB
Capacitance		30.8 [101.05]		pF/ft [pF/m]

Mechanical Specifications

Cable Assembly

Length	24 in [609.6 mm]
Weight	0.275 lbs [124.74 g]

Cable

Cable Type	RG58
------------	------

N Male Right Angle to N Female Bulkhead Cable
24 Inch Length Using RG58 Coax, LF Solder



PE3407LF-24

Impedance	50 Ohms
Inner Conductor Type	Stranded
Inner Conductor Material and Plating	Copper, Tin
Dielectric Type	PE
Number of Shields	1
Shield Layer 1	Tinned Copper Braid
Jacket Material	PVC (NC), Black
Jacket Diameter	0.195 in [4.95 mm]
One Time Minimum Bend Radius	2 in [50.8 mm]

Connectors

Description	Connector 1	Connector 2
Type	N Male Right Angle	N Female Bulkhead
Impedance	50 Ohms	50 Ohms
Configuration	Right Angle	Straight
Body Material and Plating	Brass, Nickel	Brass, Nickel

Environmental Specifications

Compliance Certifications (see [product page](#) for current document)

Plotted and Other Data

Notes:
Values at 25°C, sea level.

N Male Right Angle to N Female Bulkhead Cable
24 Inch Length Using RG58 Coax, LF Solder

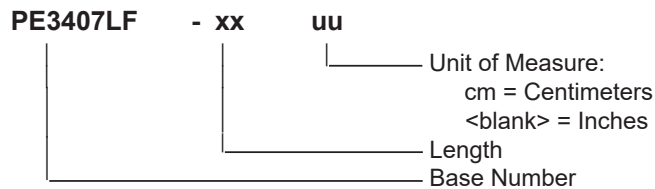


PE3407LF-24

Typical Performance Data

How to Order

Part Number Configuration:



Example: PE3407LF-12 = 12 inches long cable
PE3407LF-100cm = 100 cm long cable

N Male Right Angle to N Female Bulkhead Cable 24 Inch Length Using RG58 Coax, LF Solder from Pasternack Enterprises has same day shipment for domestic and International orders. Our RF, microwave and millimeter wave products maintain a 99.4% availability and are part of the broadest selection in the industry.

Click the following link (or enter part number in "SEARCH" on website) to obtain additional part information including price, inventory and certifications: [N Male Right Angle to N Female Bulkhead Cable 24 Inch Length Using RG58 Coax, LF Solder PE3407LF-24](#)

URL: <https://www.pasternack.com/n-male-n-female-rg58cu-cable-assembly-pe3407lf-24-p.aspx>

The information contained within this document is accurate to the best of our knowledge and representative of the part described herein. It may be necessary to make modifications to the part and/or the documentation of the part in order to implement improvements. Pasternack Enterprises reserves the right to make such changes as required. Unless otherwise stated, all specifications are nominal. Pasternack Enterprises does not make any representation or warranty regarding the suitability of the part described herein for any particular purpose, and Pasternack Enterprises does not assume liability arising out of the use of any part or document.

PE3407LF-24 CAD Drawing

N Male Right Angle to N Female Bulkhead Cable 24 Inch Length Using RG58 Coax, LF Solder

