



UMCX Plug Right Angle to Unterminated Lead Cable
3 Inch Length Using RG178 Coax, RoHS

TECHNICAL DATA SHEET

PE38296-3

UMCX Plug Right Angle to Unterminated Lead Cable 3 Inch Length Using RG178 Coax, RoHS

Configuration

Connector 1	UMCX Plug Right Angle
Connector 2	Unterminated Lead
Cable Type	RG178

Electrical Specifications

Frequency Range, GHz	DC to 6
Impedance, Ohms	50
Maximum VSWR	1.5:1
Maximum Operating Voltage, Vrms	100
Dielectric Withstanding Voltage (AC), Vrms	200

Typical Performance by Frequency

Frequency 1

Frequency, GHz	3
VSWR	1.3:1

Frequency 2

Frequency, GHz	6
VSWR	1.5:1

Mechanical Specifications

Cable Assembly

Cable Type	RG178
------------	-------

Temperature

Temperature Operating Range, deg C	-40 to +90
------------------------------------	------------

Size

Length, in [mm]	3 [76.2]
Diameter, in [mm]	0.072 [1.83]
Weight, lbs [g]	0.005 [2.27]
Cable Color	Tan

Cable

No of Shields	1
Dielectric Type	PTFE
Jacket Material	FEP
Jacket Diameter, in [mm]	0.072 [1.83]

Click the following link (or enter part number in "SEARCH" on website) to obtain additional part information including price, inventory and certifications: [UMCX Plug Right Angle to Unterminated Lead Cable 3 Inch Length Using RG178 Coax, RoHS PE38296-3](#)

The information contained in this document is accurate to the best of our knowledge and representative of the part described herein. It may be necessary to make modifications to the part and/or the documentation of the part, in order to implement improvements. Pasternack reserves the right to make such changes as required. Unless otherwise stated, all specifications are nominal.



UMCX Plug Right Angle to Unterminated Lead Cable
3 Inch Length Using RG178 Coax, RoHS

TECHNICAL DATA SHEET

PE38296-3

Connector 1

Type	UMCX Plug Right Angle
Configuration	Right Angle
Inner Conductor Material and Plating	Phosphor Bronze, Gold
Body Material and Plating	Phosphor Bronze, Gold
Dielectric Type	PBT

Connector 2

Type	Unterminated Lead
Configuration	Straight

Compliance Certifications (visit www.Pasternack.com for current document)

RoHS Compliant	Yes
----------------	-----

Plotted and Other Data

Notes:	Values at 25 °C, sea level
--------	----------------------------

UMCX Plug Right Angle to Unterminated Lead Cable 3 Inch Length Using RG178 Coax, RoHS from Pasternack Enterprises has same day shipment for domestic and International orders. Our RF, microwave and fiber optic products maintain a 99% availability and are part of the broadest selection in the industry.

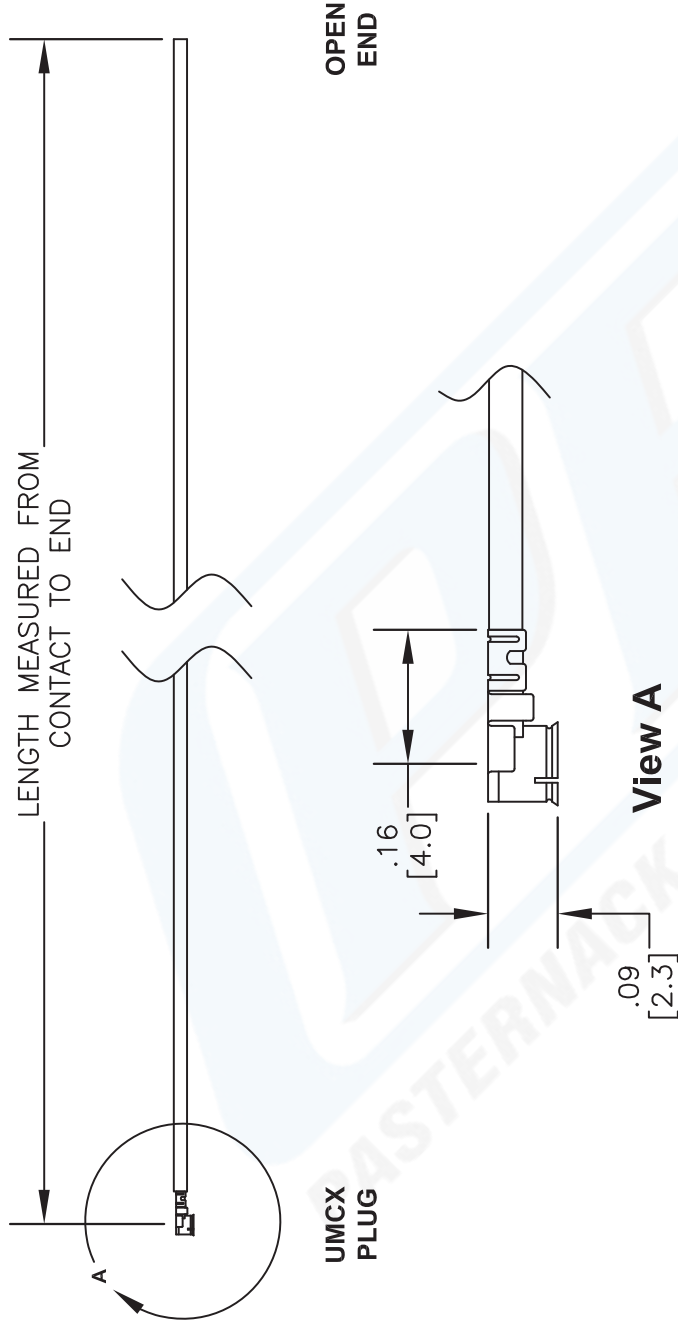
Click the following link (or enter part number in "SEARCH" on website) to obtain additional part information including price, inventory and certifications: [UMCX Plug Right Angle to Unterminated Lead Cable 3 Inch Length Using RG178 Coax, RoHS PE38296-3](http://www.pasternack.com/umcx-plug-right-angle-to-underminated-lead-cable-3-inch-length-using-rg178-coax-rohs-pe38296-3)

URL: <http://www.pasternack.com/umcx-plug-open-sexless-rg178bu-cable-assembly-pe38296-3-p.aspx>

The information contained in this document is accurate to the best of our knowledge and representative of the part described herein. It may be necessary to make modifications to the part and/or the documentation of the part, in order to implement improvements. Pasternack reserves the right to make such changes as required. Unless otherwise stated, all specifications are nominal.

PE38296-3 CAD Drawing

UMCX Plug Right Angle to Unterminated Lead Cable 3 Inch Length Using RG178 Coax, RoHS



How To Order		Part # Ext.	Length In Inches	Part # Ext.	Length In Centimeters
Part Number Configuration PE3 [zzz] [yy] [xx] [uu] 00 - 99999 LF = RoHS Compliant < Blank > = Standard Note: LF applies only to RF cables		-12	12"	-25CM	25Cm
Examples PE3000LF-100 PE3000-100 PE3000LF-100CM PE3000-100CM CM = Centimeters < Blank > = Inches Length		-24	24"	-50CM	50Cm
		-36	36"	-75CM	75Cm
		-48	48"	-100CM	100Cm
		-60	60"	-125CM	125Cm
		-xx	Custom Length	-xxCM	Custom Length

NOTES:
 1. UNLESS OTHERWISE SPECIFIED ALL DIMENSIONS ARE NOMINAL.
 2. ALL SPECIFICATIONS ARE SUBJECT TO CHANGE WITHOUT NOTICE AT ANY TIME.
 3. DIMENSIONS ARE IN INCHES [mm].
 4. LENGTH TOLERANCE IS ± 1.5% OR 3/8", WHICHEVER IS GREATER.

DWG TITLE
PE38296

PE PASTERNAK®
 Pasternack Enterprises, Inc.
 P.O. Box 16759 | Irvine | CA | 92623
 Phone: (949) 261-1920 | Fax: (949) 261-7451
 Website: www.pasternack.com | E-Mail: sales@pasternack.com

FSCM NO. 53919

CAD FILE 012413-B

SCALE N/A

SIZE A

2233