

N Male to N Male Right Angle Cable 12 Inch Length Using PE-C100-LSZH Coax



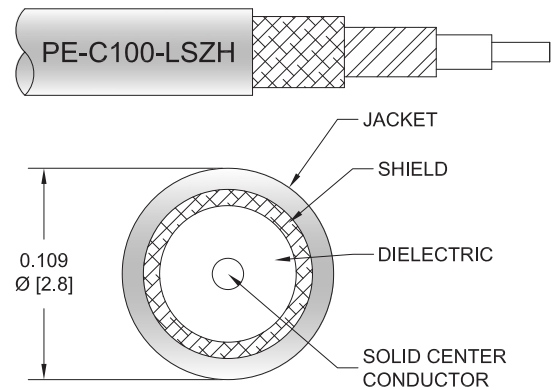
PE38934-12

Configuration

- Connector 1: N Male
- Connector 2: N Male Right Angle
- Cable Type: PE-C100-LSZH
- Coax Flex Type: Flexible

Features

- Max Frequency 1 GHz
- Shielding Effectivity > 90 dB
- 66% Phase Velocity
- Double Shielded
- LSZH Jacket



Applications

- General Purpose
- Laboratory Use

Description

Pasternack's PE38934-12 type N male to type N male right angle 12 inch cable using PE-C100-LSZH coax is part of our full line of RF components available for same-day shipping. Pasternack's flexible RF cable assemblies are ideal for applications where tight bends and flexure are required. This Pasternack type N to type N cable assembly has a male to male gender configuration with 50 ohm flexible PE-C100-LSZH coax. The PE38934-12 type N male to type N male cable assembly operates to 1 GHz. The right angle type N interface on the PE-C100-LSZH cable allows for easier connections in tight spaces. The double shielding of this Pasternack cable assembly provides excellent shielding effectiveness of better than 90 dB.

Custom versions of most RF cable assemblies can be built and shipped same day. Custom cable assembly lengths can be obtained by specifying the desired length on the web site at time of order or by contacting a sales representative. Other available RF cable assembly value added services include connector orientation or clocking, heat shrink booting and custom labeling. RF testing can also be performed to document the electrical performance of your cable assembly.

Electrical Specifications

Description	Minimum	Typical	Maximum	Units
Frequency Range	DC		1,000	MHz
Velocity of Propagation		66		%
RF Shielding	90			dB
Capacitance		30.8 [101.05]		pF/ft [pF/m]
Inductance		0.077 [0.25]		uH/ft [uH/m]
Operating Voltage (AC)			500	Vrms

N Male to N Male Right Angle Cable 12 Inch Length Using PE-C100-LSZH Coax



PE38934-12

Electrical Specifications

Description	Minimum	Typical	Maximum	Units
Jacket Spark			2,000	Vrms

Specifications by Frequency

Description	F1	F2	F3	F4	F5	Units
Frequency	50	100	250	500	1,000	MHz
Insertion Loss (Typ.)	0.251	0.27	0.315	0.366	0.436	dB

Mechanical Specifications

Cable Assembly

Width/Diameter	0.827 in [21.01 mm]
Weight	0.215 lbs [97.52 g]

Cable

Cable Type	PE-C100-LSZH
Impedance	50 Ohms
Inner Conductor Type	Solid
Inner Conductor Material and Plating	Copper Clad Steel
Dielectric Type	PE
Number of Shields	2
Shield Layer 1	Aluminum Tape
Shield Layer 2	Tinned Copper Braid
Jacket Material	LSZH, Black
Jacket Diameter	0.109 in [2.77 mm]
One Time Minimum Bend Radius	0.25 in [6.35 mm]
Repeated Minimum Bend Radius	1 in [25.4 mm]
Bending Moment	0.1 lbs-ft [0.14 N-m]
Flat Plate Crush	10 lbs/in [0.18 Kg/mm]
Tensile Strength	15 lbs [6.8 Kg]

N Male to N Male Right Angle Cable 12 Inch Length Using PE-C100-LSZH Coax



PE38934-12

Connectors

Description	Connector 1	Connector 2
Type	N Male	N Male Right Angle
Specification	MIL-STD-348A	MIL-STD-348A
Impedance	50 Ohms	50 Ohms
Configuration	Straight	Right Angle
Contact Material and Plating	Brass, Gold	Brass, Gold
Contact Plating Specification	30μ in. minimum	30μ in. minimum
Dielectric Type	Teflon	Teflon
Body Material and Plating	Brass, Nickel	Brass, Nickel
Body Plating Specification	100μ in. minimum	100μ in. minimum
Coupling Nut Material and Plating	Brass, Nickel	
Coupling Nut Plating Specification	100μ in. minimum	

Environmental Specifications

Compliance Certifications (see [product page](#) for current document)

Plotted and Other Data

Notes:
Values at 25°C, sea level.

N Male to N Male Right Angle Cable 12 Inch Length Using PE-C100-LSZH Coax

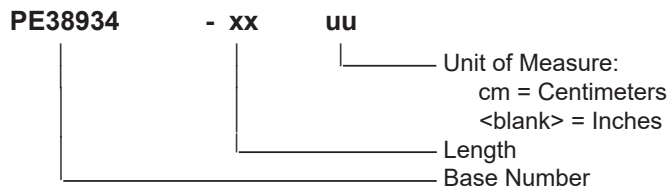


PE38934-12

Typical Performance Data

How to Order

Part Number Configuration:



Example: PE38934-12 = 12 inches long cable
PE38934-100cm = 100 cm long cable

N Male to N Male Right Angle Cable 12 Inch Length Using PE-C100-LSZH Coax from Pasternack Enterprises has same day shipment for domestic and International orders. Our RF, microwave and millimeter wave products maintain a 99.4% availability and are part of the broadest selection in the industry.

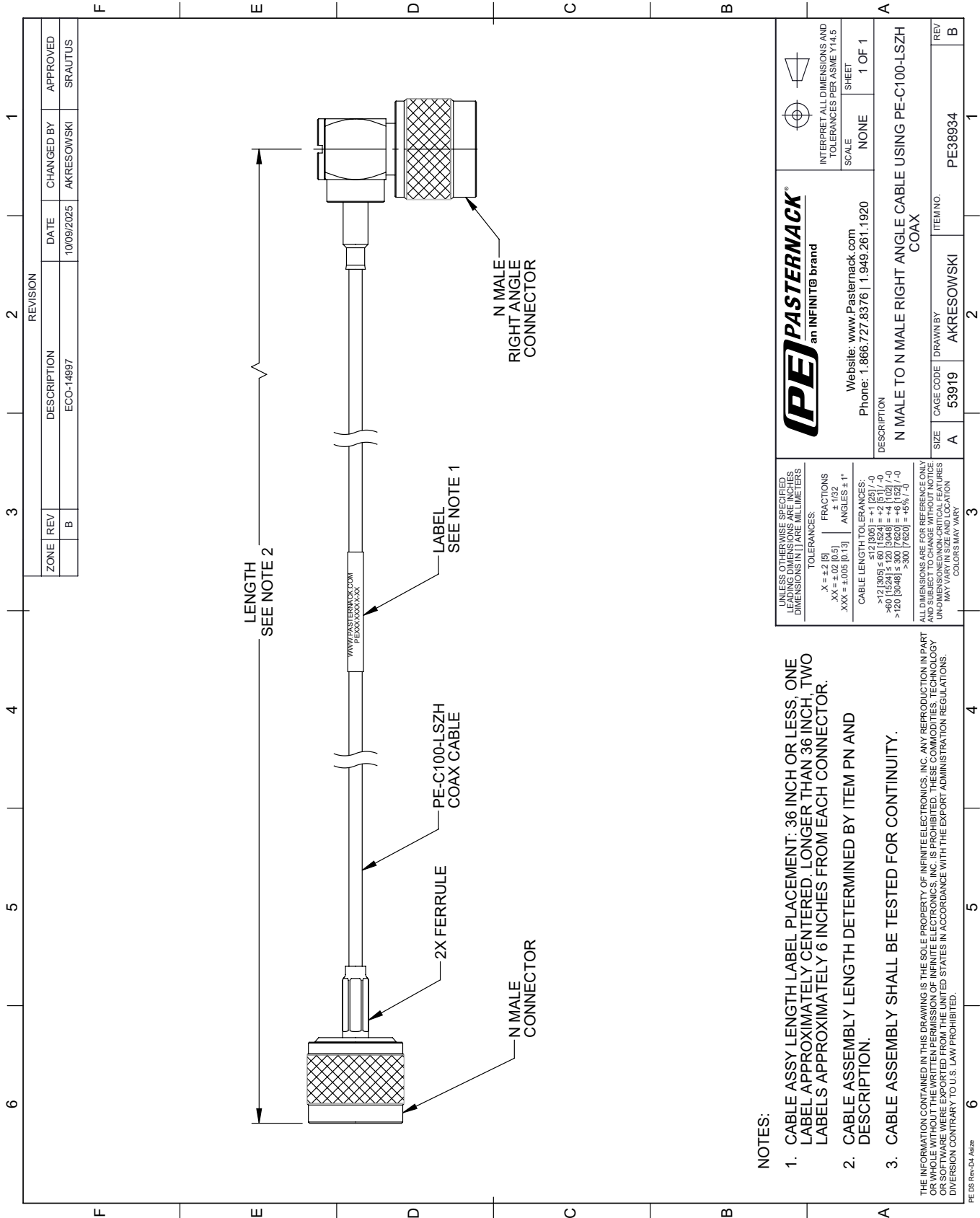
Click the following link (or enter part number in "SEARCH" on website) to obtain additional part information including price, inventory and certifications: [N Male to N Male Right Angle Cable 12 Inch Length Using PE-C100-LSZH Coax PE38934-12](#)

URL: <https://www.pasternack.com/n-male-n-male-pe-c100-cable-assembly-pe38934-12-p.aspx>

The information contained within this document is accurate to the best of our knowledge and representative of the part described herein. It may be necessary to make modifications to the part and/or the documentation of the part in order to implement improvements. Pasternack Enterprises reserves the right to make such changes as required. Unless otherwise stated, all specifications are nominal. Pasternack Enterprises does not make any representation or warranty regarding the suitability of the part described herein for any particular purpose, and Pasternack Enterprises does not assume liability arising out of the use of any part or document.

PE38934-12 CAD Drawing

N Male to N Male Right Angle Cable 12 Inch Length Using PE-C100-LSZH Coax



REVISION		DATE	CHANGED BY	APPROVED
ZONE	REV	DESCRIPTION	ECO-14997	AKRESOWSKI
	B			SRAUTUS

PE PASTERNAK
an INFINITE brand

Website: www.Pasternack.com
Phone: 1.866.727.8376 | 1.949.261.1920

INTERPRET ALL DIMENSIONS AND TOLERANCES PER ASME Y14.5

SCALE: NONE
SHEET: 1 OF 1

DESCRIPTION: N MALE TO N MALE RIGHT ANGLE CABLE USING PE-C100-LSZH COAX

SIZE	A	CAGE CODE	53919	DRAWN BY	AKRESOWSKI	ITEM NO.	PE38934
REV	B						

NOTES:

- CABLE ASSY LENGTH LABEL PLACEMENT: 36 INCH OR LESS, ONE LABEL APPROXIMATELY CENTERED, LONGER THAN 36 INCH, TWO LABELS APPROXIMATELY 6 INCHES FROM EACH CONNECTOR.
- CABLE ASSEMBLY LENGTH DETERMINED BY ITEM PN AND DESCRIPTION.
- CABLE ASSEMBLY SHALL BE TESTED FOR CONTINUITY.

UNLESS OTHERWISE SPECIFIED, LEADING DIMENSIONS ARE IN INCHES, DIMENSIONS IN [] ARE MILLIMETERS.

TOLERANCES:
 .X = ±.2 (5)
 .XX = ±.02 (0.5)
 .XXX = ±.005 (0.13)

FRACTIONS:
 ± 1/32
 ANGLES ± 1°

CABLE LENGTH TOLERANCES:
 <12 [305] ≤ 60 [1524] = ±.125 (-0)
 >60 [1524] ≤ 120 [3048] = ±.150 (-0)
 >120 [3048] ≤ 300 [7620] = ±.1875 (-0)
 >300 [7620] = ±.25 (-0)

ALL DIMENSIONS ARE FOR REFERENCE ONLY. DIMENSIONS OF DIMENSIONS OF DIMENSIONS MAY VARY IN SIZE AND LOCATION. COLORS MAY VARY.

THE INFORMATION CONTAINED IN THIS DRAWING IS THE SOLE PROPERTY OF INFINITE ELECTRONICS, INC. ANY REPRODUCTION IN PART OR WHOLE WITHOUT THE WRITTEN PERMISSION OF INFINITE ELECTRONICS, INC. IS PROHIBITED. THESE COMMODITIES, TECHNOLOGY OR SOFTWARE WERE EXPORTED FROM THE UNITED STATES IN ACCORDANCE WITH THE EXPORT ADMINISTRATION REGULATIONS. DIVISION CONTRARY TO U.S. LAW PROHIBITED.

PE DS Rev-D4 Add2