



SMA Female Bulkhead to MCX Plug Right Angle Semi-Flexible Precision Cable 6 Inch Length Using PE-SR405FL Coax, RoHS

TECHNICAL DATA SHEET PE39421-6

Pasternack's formable cable assemblies are hand formable semi-rigid replacements that are an alternative to costly preformed assemblies. The formable semi-rigid cable alternatives are dimensionally and electrically similar to their semi-rigid counterpart and have a tinned-copper-braid outer shield that provides excellent RF shielding. The hand formable cable assemblies from Pasternack do not require special tooling to shape or reshape the assemblies and can replace standard semi-rigid versions. The assemblies are available with or without a FEP jacket and are RoHS compliant,

**Features**

- Dimensionally and electrically the same as standard, solid outer conductor semi-rigid coax
- Cable may be formed by hand and does not require special tools to bend
- May be formed more than once without damaging the outer conductor
- High RF Shielding >100 dB
- 100% Hi-pot and continuity tested
- 100% VSWR tested to max frequency of assembly
- Standard and custom lengths ship the same day

**Configuration**

Connector 1	SMA Female Bulkhead
Connector 2	MCX Plug Right Angle
Cable Type	PE-SR405FL

**Electrical Specifications**

Frequency Range	DC to 6 GHz
Impedance	50 Ohms
Velocity of Propagation	69.5 %

**Performance by Frequency**

**Frequency 1**

Frequency	250 MHz
Insertion Loss	0.228 dB

**Frequency 2**

Frequency	500 MHz
Insertion Loss	0.256 dB

**Frequency 3**

Frequency	1000 MHz
Insertion Loss	0.313 dB

**Frequency 4**

Frequency	2.5 GHz
Insertion Loss	0.373 dB

**Frequency 5**

Frequency	6 GHz
Insertion Loss	0.501 dB

Click the following link (or enter part number in "SEARCH" on website) to obtain additional part information including price, inventory and certifications: [SMA Female Bulkhead to MCX Plug Right Angle Semi-Flexible Precision Cable 6 Inch Length Using PE-SR405FL Coax, RoHS PE39421-6](#)



SMA Female Bulkhead to MCX Plug Right Angle Semi-Flexible Precision Cable 6 Inch Length Using PE-SR405FL Coax, RoHS

TECHNICAL DATA SHEET PE39421-6

**Mechanical Specifications**

**Size**

Length 6 in [152.4 mm]

**Cable**

Cable Type PE-SR405FL  
 Inner Conductor Type Solid  
 Cable Inner Conductor Copper Clad Steel, Silver  
 No of Shields 1  
 Dielectric Type PTFE

**Connector 1**

Type SMA Female Bulkhead  
 Configuration Straight  
 Mount Method Bulkhead  
 Inner Conductor Material and Plating Beryllium Copper, Gold  
 Body Material and Plating Brass, Gold  
 Dielectric Type PTFE

**Connector 2**

Type MCX Plug Right Angle  
 Configuration Right Angle  
 Inner Conductor Material and Plating Brass, Gold  
 Body Material and Plating Brass, Gold  
 Dielectric Type PTFE

**Compliance Certifications** (visit [www.Pasternack.com](http://www.Pasternack.com) for current document)

RoHS Compliant Yes  
 REACH Compliant 06/18/2012

**Plotted and Other Data**

Notes:  
 • Values at +25 °C, sea level

Click the following link (or enter part number in "SEARCH" on website) to obtain additional part information including price, inventory and certifications: [SMA Female Bulkhead to MCX Plug Right Angle Semi-Flexible Precision Cable 6 Inch Length Using PE-SR405FL Coax, RoHS PE39421-6](#)



SMA Female Bulkhead to MCX Plug Right Angle Semi-Flexible Precision Cable 6 Inch Length Using PE-SR405FL Coax, RoHS

TECHNICAL DATA SHEET PE39421-6

**How to Order**

Part Number Configuration:

**PE39421-6**

- **xx**

**uu**

Unit of Measure:  
cm = Centimeters  
<blank> = Inches  
Length  
Base Number

Example: PE39421-6-12 = 12 inches long cable  
PE39421-6-100cm = 100 cm long cable

SMA Female Bulkhead to MCX Plug Right Angle Semi-Flexible Precision Cable 6 Inch Length Using PE-SR405FL Coax, RoHS from Pasternack Enterprises has same day shipment for domestic and International orders. Our RF, microwave and millimeter wave products maintain a 99% availability and are part of the broadest selection in the industry.

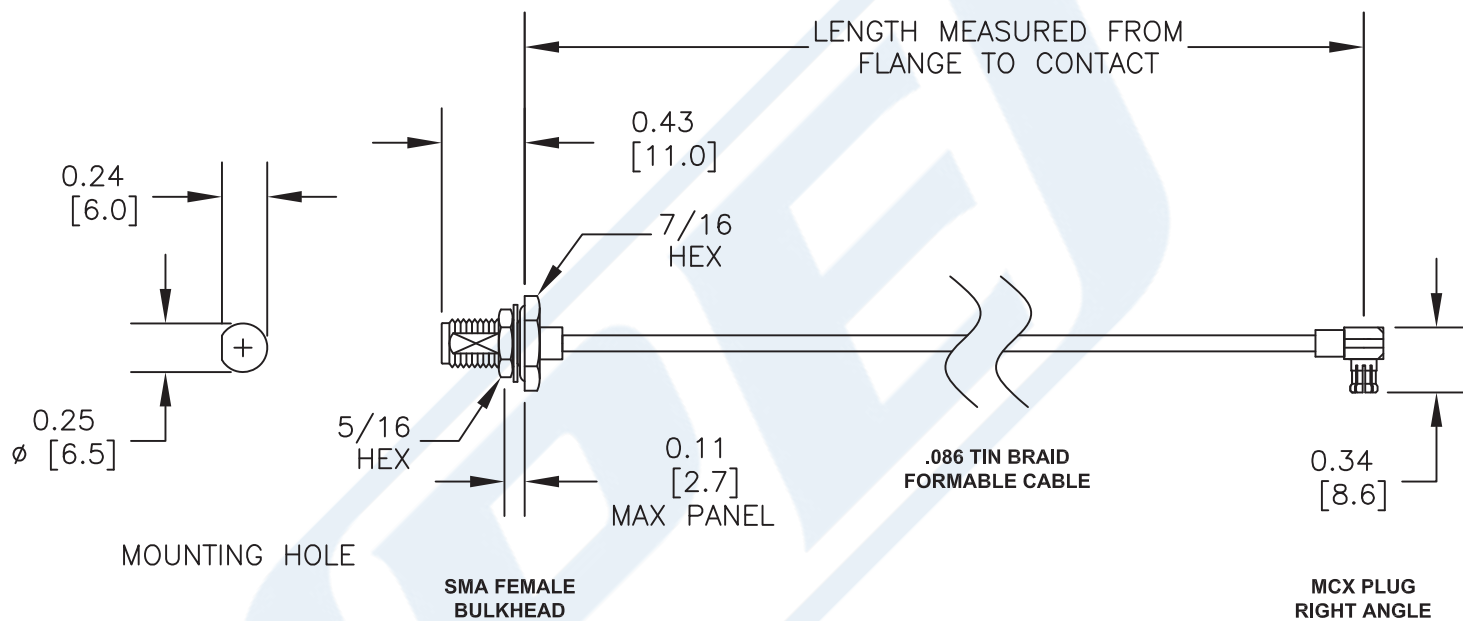
Click the following link (or enter part number in "SEARCH" on website) to obtain additional part information including price, inventory and certifications: [SMA Female Bulkhead to MCX Plug Right Angle Semi-Flexible Precision Cable 6 Inch Length Using PE-SR405FL Coax, RoHS PE39421-6](http://www.pasternack.com/sma-female-mcx-plug-pe-sr405fl-cable-assembly-pe39421-6-p.aspx)

URL: <http://www.pasternack.com/sma-female-mcx-plug-pe-sr405fl-cable-assembly-pe39421-6-p.aspx>

The information contained in this document is accurate to the best of our knowledge and representative of the part described herein. It may be necessary to make modifications to the part and/or the documentation of the part, in order to implement improvements. Pasternack reserves the right to make such changes as required. Unless otherwise stated, all specifications are nominal. Pasternack does not make any representation or warranty regarding the suitability of the part described herein for any particular purpose, and Pasternack does not assume any liability arising out of the use of any part or documentation.

# PE39421-6 CAD Drawing

SMA Female Bulkhead to MCX Plug Right Angle Semi-Flexible Precision Cable 6 Inch Length Using PE-SR405FL Coax, RoHS



**Note: This part is lead free.**



Pasternack Enterprises, Inc.  
P.O. Box 16759 | Irvine | CA | 92623

Phone: (949) 261-1920 | Fax: (949) 261-7451

Website: www.pasternack.com | E-Mail: sales@pasternack.com

**NOTES:**

1. UNLESS OTHERWISE SPECIFIED ALL DIMENSIONS ARE NOMINAL.
2. ALL SPECIFICATIONS ARE SUBJECT TO CHANGE WITHOUT NOTICE AT ANY TIME.
3. DIMENSIONS ARE IN INCHES [mm].
4. LENGTH TOLERANCE IS  $\pm 1.5\%$  OR  $3/8"$ , WHICHEVER IS GREATER.

DWG TITLE

**PE39421**

FSCM NO. 53919

CAD FILE

012015

SCALE N/A

SIZE A

2233