



## SMA Male to SMA Male Cable Using LMR-240 Coax, RoHS In 24 Inch Length

### RF Cable Assemblies Technical Data Sheet

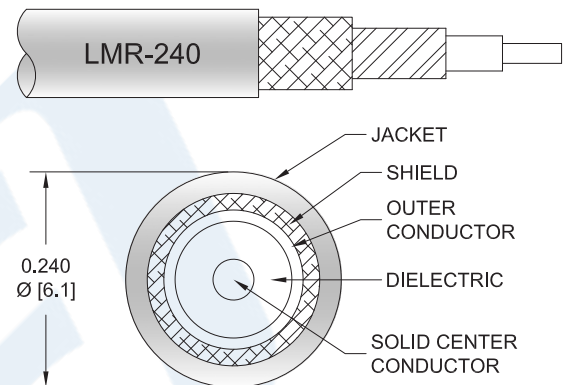
PE3C0052LF-24

#### Configuration

- Connector 1: SMA Male
- Connector 2: SMA Male
- Cable Type: LMR-240

#### Features

- Max Frequency 5.8 GHz
- Shielding Effectivity > 90 dB
- 84% Phase Velocity
- Double Shielded
- PE Jacket



#### Applications

- General Purpose
- Laboratory Use

#### Description

Pasternack's PE3C0052LF-24 SMA male to SMA male 24 inch cable using LMR-240 coax is part of our full line of RF components available for same-day shipping. Pasternack's flexible RF cable assemblies are ideal for applications where tight bends and flexure are required. This Pasternack SMA to SMA cable assembly has a male to male gender configuration with 50 ohm flexible LMR-240 coax. The PE3C0052LF-24 SMA male to SMA male cable assembly operates to 5.8 GHz. The double shielding of this Pasternack cable assembly provides excellent shielding effectiveness of better than 90 dB.

Custom versions of most RF cable assemblies can be built and shipped same day. Custom cable assembly lengths can be obtained by specifying the desired length on the web site at time of order or by contacting a sales representative. Other available RF cable assembly value added services include connector orientation or clocking, heat shrink booting and custom labeling. RF testing can also be performed to document the electrical performance of your cable assembly.

Click the following link (or enter part number in "SEARCH" on website) to obtain additional part information including price, inventory and certifications: [SMA Male to SMA Male Cable Using LMR-240 Coax, RoHS In 24 Inch Length PE3C0052LF-24](#)



# SMA Male to SMA Male Cable Using LMR-240 Coax, RoHS In 24 Inch Length

## RF Cable Assemblies Technical Data Sheet

PE3C0052LF-24

### Electrical Specifications

Description	Minimum	Typical	Maximum	Units
Frequency Range	DC		5.8	GHz
VSWR			1.4:1	
Velocity of Propagation		84		%
RF Shielding	90			dB
Group Delay		1.21 [3.97]		ns/ft [ns/m]
Capacitance		24.2 [79.4]		pF/ft [pF/m]
Inductance		0.06 [0.2]		uH/ft [uH/m]
DC Resistance Inner Conductor		3.2 [10.5]		Ω/1000ft [Ω/Km]
DC Resistance Outer Conductor		3.89 [12.76]		Ω/1000ft [Ω/Km]
Operating Voltage (AC)			333	Vrms
Dielectric Withstanding Voltage (AC)			1,000	Vrms
Jacket Spark			5,000	Vrms
Input Power (Peak)			5.6	KWatts

### Specifications by Frequency

Description	F1	F2	F3	F4	F5	Units
Frequency	0.25	0.5	1	2.5	5.8	GHz
Insertion Loss (Typ.)	0.18	0.26	0.36	0.58	0.89	dB

#### Electrical Specification Notes:

The Insertion Loss data above is based on the performance specifications of the coax and connectors used in this assembly. The Insertion Loss includes an estimated insertion loss of 0.1\*SQRT(FGHz) dB per connector.

### Mechanical Specifications

#### Cable Assembly

Length*	24 in [609.6 mm]
Weight	0.091 lbs [41.28 g]

#### Cable

Cable Type	LMR-240
Impedance	50 Ohms
Inner Conductor Type	Solid
Inner Conductor Material and Plating	Copper
Dielectric Type	PE (F)
Number of Shields	2
Shield Layer 1	Aluminum Tape

Click the following link (or enter part number in "SEARCH" on website) to obtain additional part information including price, inventory and certifications: [SMA Male to SMA Male Cable Using LMR-240 Coax, RoHS In 24 Inch Length PE3C0052LF-24](#)



# SMA Male to SMA Male Cable Using LMR-240 Coax, RoHS In 24 Inch Length

## RF Cable Assemblies Technical Data Sheet

PE3C0052LF-24

Shield Layer 2	Tinned Copper Braid
Jacket Material	PE, Black
Jacket Diameter	0.24 in [6.1 mm]
One Time Minimum Bend Radius	0.75 in [19.05 mm]
Repeated Minimum Bend Radius	2.5 in [63.5 mm]
Bending Moment	0.25 lbs-ft [0.34 N-m]
Flat Plate Crush	20 lbs/in [0.36 Kg/mm]
Tensile Strength	80 lbs [36.29 Kg]

### Connectors

Description	Connector 1	Connector 2
Type	SMA Male	SMA Male
Impedance	50 Ohms	50 Ohms
Contact Material and Plating	Phosphor Bronze, Gold	Phosphor Bronze, Gold
Dielectric Type	Teflon	Teflon
Body Material and Plating	Brass, Gold	Brass, Gold
Coupling Nut Material and Plating	Brass, Gold	Brass, Gold
Hex Size	5/16 in	5/16 in
Torque	5 in-lbs [0.57 Nm]	5 in-lbs [0.57 Nm]

### Environmental Specifications

#### Temperature

Operating Range	-40 to +85 deg C
Storage Range	-70 to +85 deg C

### Compliance Certifications (see [product page](#) for current document)

### Plotted and Other Data

#### Notes:

- Values at 25°C, sea level.

Click the following link (or enter part number in "SEARCH" on website) to obtain additional part information including price, inventory and certifications: [SMA Male to SMA Male Cable Using LMR-240 Coax, RoHS In 24 Inch Length PE3C0052LF-24](#)



SMA Male to SMA Male Cable Using LMR-240 Coax, RoHS In 24 Inch Length

RF Cable Assemblies Technical Data Sheet

PE3C0052LF-24

**How to Order**

Part Number Configuration:

**PE3C0052LF - xx uu**



Example: PE3C0052LF-12 = 12 inches long cable  
PE3C0052LF-100cm = 100 cm long cable

SMA Male to SMA Male Cable Using LMR-240 Coax, RoHS In 24 Inch Length from Pasternack Enterprises has same day shipment for domestic and International orders. Our RF, microwave and millimeter wave products maintain a 99.4% availability and are part of the broadest selection in the industry.

Click the following link (or enter part number in "SEARCH" on website) to obtain additional part information including price, inventory and certifications: [SMA Male to SMA Male Cable Using LMR-240 Coax, RoHS In 24 Inch Length PE3C0052LF-24](#)

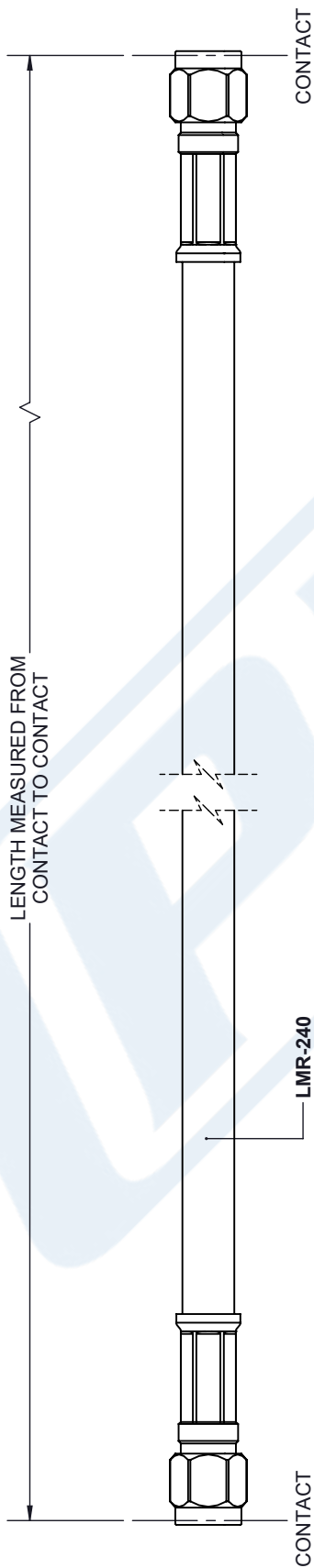
URL: <https://www.pasternack.com/sma-male-to-sma-male-cable-24-inch-length-using-lmr-240-lf-solder-pe3c0052lf-24-p.aspx>

The information contained in this document is accurate to the best of our knowledge and representative of the part described herein. It may be necessary to make modifications to the part and/or the documentation of the part, in order to implement improvements. Pasternack reserves the right to make such changes as required. Unless otherwise stated, all specifications are nominal. Pasternack does not make any representation or warranty regarding the suitability of the part described herein for any particular purpose, and Pasternack does not assume any liability arising out of the use of any part or documentation.

# PE3C0052LF-24 CAD Drawing

SMA Male to SMA Male Cable Using LMR-240 Coax, RoHS In 24 Inch Length

REVISIONS		
REV.	DESCRIPTION	DATE
A	INITIAL RELEASE	11/5/2021
		A. GANWANI



<p>UNLESS OTHERWISE SPECIFIED LEADING DIMENSIONS ARE INCHES DIMENSIONS IN [ ] ARE MILLIMETERS</p> <p>TOLERANCES:</p> <p>.X = ±.2 [ .008 ]    FRACTIONS ± 1/32</p> <p>.XX = ±.02 [ .51 ]    ANGLES ± 1°</p> <p>.XXX = ±.005 [ .13 ]</p> <p>CABLE LENGTH (L): TOLERANCES:</p> <p>L ≤ 12 [305] = +1 [25] / -0</p> <p>12 [305] &lt; L ≤ 60 [1524] = +2 [51] / -0</p> <p>60 [1524] &lt; L ≤ 120 [3048] = +4 [102] / -0</p> <p>120 [3048] &lt; L ≤ 300 [7620] = +6 [152] / -0</p> <p>300 [7620] &lt; L = +5% / -0</p> <p>ALL DIMENSIONS SHOWN ARE FOR REFERENCE ONLY.</p>	<p><b>PE PASTERNAK</b> an INFINITE brand</p> <p>Pasternack Enterprises, Inc. P. O. Box 16759, Irvine, CA 92623. Phone: 1.949.261.1920   1.866.727.8376 Fax: 1.949.261.7451 Website: www.pasternack.com E-mail: sales@pasternack.com</p>	<p>THIRD-ANGLE PROJECTION</p> <p>THE INFORMATION AND DESIGN IN THIS DOCUMENT IS THE PROPERTY OF PASTERNAK CORPORATION ALL RIGHTS RESERVED.</p> <p>SHEET 1 OF 1</p> <p>SCALE N/A</p>
	<p>SIZE A</p> <p>CAGE CODE 53919</p> <p>DRAWN BY K.DANG</p> <p>ITEM NO. PE3C0052LF</p>	<p>REV A</p>

THESE COMMODITIES, TECHNOLOGY OR SOFTWARE WERE EXPORTED FROM THE UNITED STATES IN ACCORDANCE WITH THE EXPORT ADMINISTRATION REGULATIONS. DIVERSION CONTRARY TO U.S. LAW PROHIBITED.