



## SMA Male Right Angle to TNC Female Bulkhead Cable 48 Inch Length Using LMR-195 Coax

### TECHNICAL DATA SHEET

PE3C0056-48

#### SMA Male Right Angle to TNC Female Bulkhead Cable 48 Inch Length Using LMR-195 Coax

##### Configuration

Connector 1	SMA Male Right Angle
Connector 1 Specification	MIL-STD-348A
Connector 2	TNC Female Bulkhead
Connector 2 Specification	MIL-STD-348A
Cable Type	LMR-195
Impedance, Ohms	50

##### Mechanical Specifications

###### Cable Assembly

Cable Type	LMR-195
------------	---------

###### Temperature

Temperature Operating Range, deg C	-40 to +85
Temperature Storage Range, deg C	-70 to +85

###### Size

Length, in [cm]	48 [121.92]
Diameter, in [mm]	0.689 [17.5]
Weight, lbs [g]	0.076 [34.47]
Cable Color	Black
One Time Minimum Bend Radius, in [mm]	0.5 [12.7]
Repeated Minimum Bend Radius, in [mm]	2 [50.8]

###### Cable

No of Shields	2
Dielectric Type	PE (F)
Jacket Material	PE
Jacket Diameter, in [mm]	0.195 [4.95]

###### Connector 1

Type	SMA Male Right Angle
Configuration	Right Angle
Inner Conductor Material and Plating	Brass, Gold
Inner Conductor Plating Specification	50µ in. minimum
Coupling Nut Material and Plating	Brass, Nickel
Coupling Nut Plating Specification	100µ in. minimum
Hex Size, in.	5/16
Torque, in-lbs [Nm]	5 [0.57]
Body Material and Plating	Brass, Nickel
Body Plating Specification	100µ in. minimum
Dielectric Type	Teflon

Click the following link (or enter part number in "SEARCH" on website) to obtain additional part information including price, inventory and certifications: [SMA Male Right Angle to TNC Female Bulkhead Cable 48 Inch Length Using LMR-195 Coax PE3C0056-48](#)

The information contained in this document is accurate to the best of our knowledge and representative of the part described herein. It may be necessary to make modifications to the part and/or the documentation of the part, in order to implement improvements. Pasternack reserves the right to make such changes as required. Unless otherwise stated, all specifications are nominal.



SMA Male Right Angle to TNC Female Bulkhead  
Cable 48 Inch Length Using LMR-195 Coax

TECHNICAL DATA SHEET

PE3C0056-48

**Connector 2**

Type	TNC Female Bulkhead
Configuration	Straight
Mount Method	Bulkhead
Inner Conductor Material and Plating	Brass, Gold
Inner Conductor Plating Specification	30 $\mu$ in. minimum
Body Material and Plating	Brass, Nickel
Body Plating Specification	100 $\mu$ in. minimum
Dielectric Type	Teflon

**Compliance Certifications** (visit [www.Pasternack.com](http://www.Pasternack.com) for current document)

**Plotted and Other Data**

Notes: Values at 25 °C, sea level

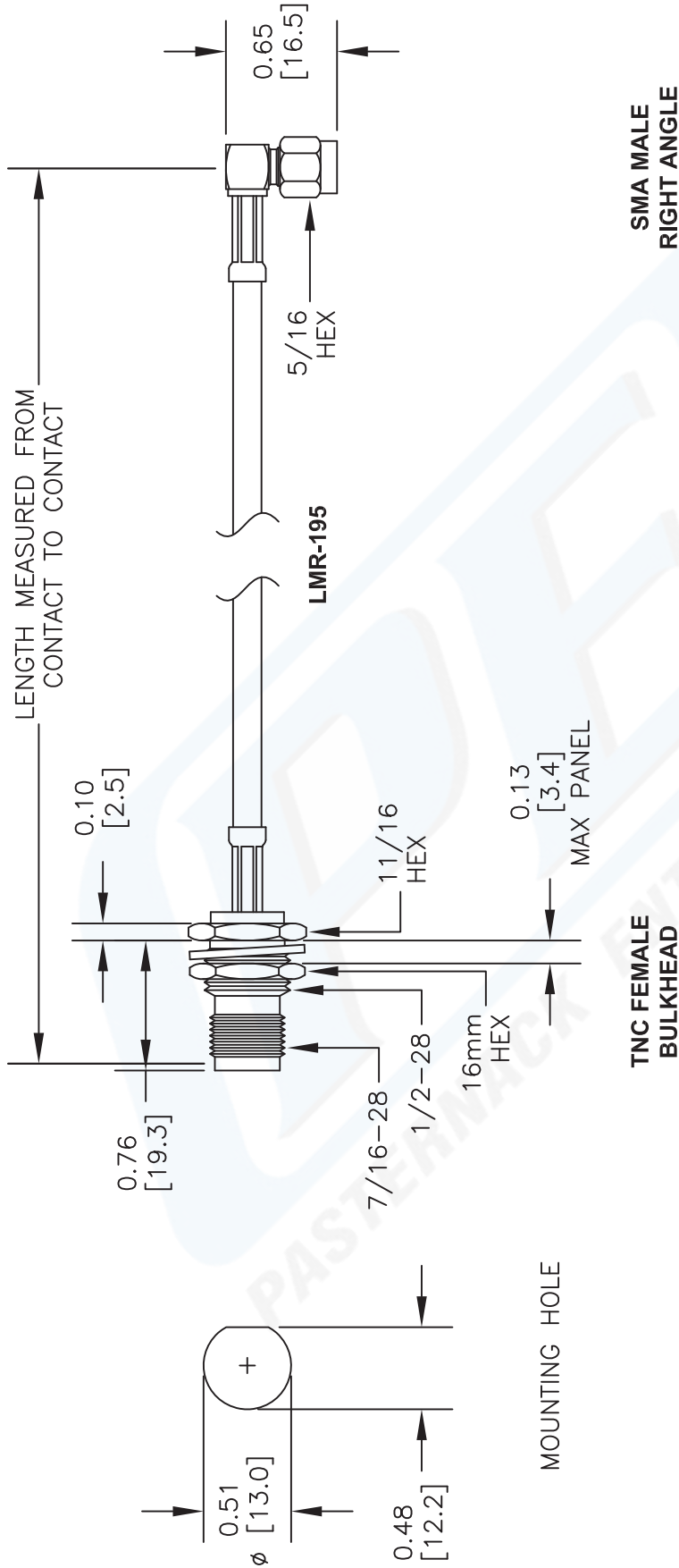
SMA Male Right Angle to TNC Female Bulkhead Cable 48 Inch Length Using LMR-195 Coax from Pasternack Enterprises has same day shipment for domestic and International orders. Our RF, microwave and fiber optic products maintain a 99% availability and are part of the broadest selection in the industry.

Click the following link (or enter part number in "SEARCH" on website) to obtain additional part information including price, inventory and certifications: [SMA Male Right Angle to TNC Female Bulkhead Cable 48 Inch Length Using LMR-195 Coax PE3C0056-48](http://www.pasternack.com/sma-male-tnc-female-lmr195-cable-assembly-pe3c0056-48-p.aspx)

URL: <http://www.pasternack.com/sma-male-tnc-female-lmr195-cable-assembly-pe3c0056-48-p.aspx>

The information contained in this document is accurate to the best of our knowledge and representative of the part described herein. It may be necessary to make modifications to the part and/or the documentation of the part, in order to implement improvements. Pasternack reserves the right to make such changes as required. Unless otherwise stated, all specifications are nominal.

**PE3C0056-48 CAD Drawing**  
 SMA Male Right Angle to TNC Female Bulkhead Cable  
 48 Inch Length Using LMR-195 Coax



How To Order		Part # Ext.	Length In Inches	Part # Ext.	Length In Centimeters
Part Number Configuration	Examples	-12	12"	-25CM	25Cm
PE3 [zzz] [yy] - [xx] [uu]	PE3000LF-100	-24	24"	-50CM	50Cm
00 - 99999	PE3000-100	-36	36"	-75CM	75Cm
LF = RoHS Compliant	PE3000LF-100CM	-48	48"	-100CM	100Cm
< Blank > = Standard	PE3000-100CM	-60	60"	-125CM	125Cm
Note: LF applies only to RF cables		-xx	Custom Length	-xxCM	Custom Length

NOTES:  
 1. UNLESS OTHERWISE SPECIFIED ALL DIMENSIONS ARE NOMINAL.  
 2. ALL SPECIFICATIONS ARE SUBJECT TO CHANGE WITHOUT NOTICE AT ANY TIME.  
 3. DIMENSIONS ARE IN INCHES [mm].  
 4. LENGTH TOLERANCE IS ± 1.5% OR 3/8", WHICHEVER IS GREATER.

DWG TITLE  
**PE3C0056**

**PE PASTERNAK®**  
 Pasternack Enterprises, Inc.  
 P.O. Box 16759 | Irvine | CA | 92623  
 Phone: (949) 261-1920 | Fax: (949) 261-7451  
 Website: www.pasternack.com | E-Mail: sales@pasternack.com

FSCM NO. 53919	CAD FILE 013113	SCALE N/A	SIZE A	2233
----------------	-----------------	-----------	--------	------