

Reverse Polarity SMA Male to Reverse Polarity BNC Female Cable Using RG58 Coax



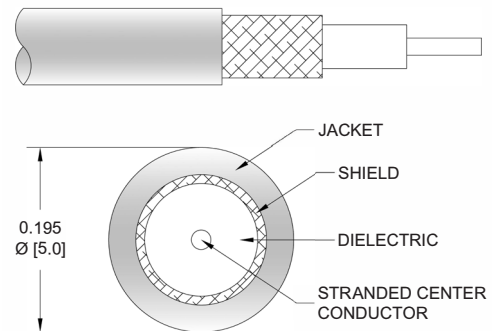
PE3C0070

Configuration

- Connector 1: SMA Male Reverse Polarity
- Connector 2: BNC Female Reverse Polarity
- Cable Type: RG58
- Coax Flex Type: Flexible

Features

- Shielding Effectivity > 45 dB
- 65.9% Phase Velocity
- PVC (NC) Jacket



Applications

- General Purpose
- Laboratory Use

Description

Pasternack's PE3C0070 reverse polarity SMA male to reverse polarity BNC female cable using RG58 coax is part of our full line of RF components available for same-day shipping. Pasternack's flexible RF cable assemblies are ideal for applications where tight bends and flexure are required. This Pasternack reverse polarity SMA to reverse polarity BNC cable assembly has a male to female gender configuration with 50 ohm flexible RG58 coax.

Custom versions of most RF cable assemblies can be built and shipped same day. Custom cable assembly lengths can be obtained by specifying the desired length on the web site at time of order or by contacting a sales representative. Other available RF cable assembly value added services include connector orientation or clocking, heat shrink booting and custom labeling. RF testing can also be performed to document the electrical performance of your cable assembly.

Electrical Specifications

Description	Minimum	Typical	Maximum	Units
Velocity of Propagation		65.9		%
RF Shielding	45			dB
Capacitance		30.8 [101.05]		pF/ft [pF/m]

Mechanical Specifications

Cable Assembly

Width/Diameter	0.5 in [12.7 mm]
Weight	0.069 lbs [31.3 g]

Cable

Cable Type	RG58
Impedance	50 Ohms
Inner Conductor Type	Stranded

Reverse Polarity SMA Male to Reverse Polarity BNC Female Cable Using RG58 Coax



PE3C0070

Inner Conductor Material and Plating	Copper, Tin
Dielectric Type	PE
Number of Shields	1
Shield Layer 1	Tinned Copper Braid
Jacket Material	PVC (NC), Black
Jacket Diameter	0.195 in [4.95 mm]
One Time Minimum Bend Radius	2 in [50.8 mm]

Connectors

Description	Connector 1	Connector 2
Type	SMA Male Reverse Polarity	BNC Female Reverse Polarity
Impedance	50 Ohms	50 Ohms
Configuration	Straight	Straight
Contact Material and Plating		Gold
Dielectric Type		PTFE
Body Material and Plating	Brass, Nickel	Brass, Nickel

Environmental Specifications

Compliance Certifications (see [product page](#) for current document)

Plotted and Other Data

Notes:
Values at 25°C, sea level.

Reverse Polarity SMA Male to Reverse Polarity BNC Female Cable Using RG58 Coax



PE3C0070

Typical Performance Data

How to Order

Part Number Configuration:

PE3C0070

- xx

uu

Unit of Measure:

cm = Centimeters

<blank> = Inches

Length

Base Number

Example: PE3C0070-12 = 12 inches long cable
PE3C0070-100cm = 100 cm long cable

Reverse Polarity SMA Male to Reverse Polarity BNC Female Cable Using RG58 Coax from Pasternack Enterprises has same day shipment for domestic and International orders. Our RF, microwave and millimeter wave products maintain a 99.4% availability and are part of the broadest selection in the industry.

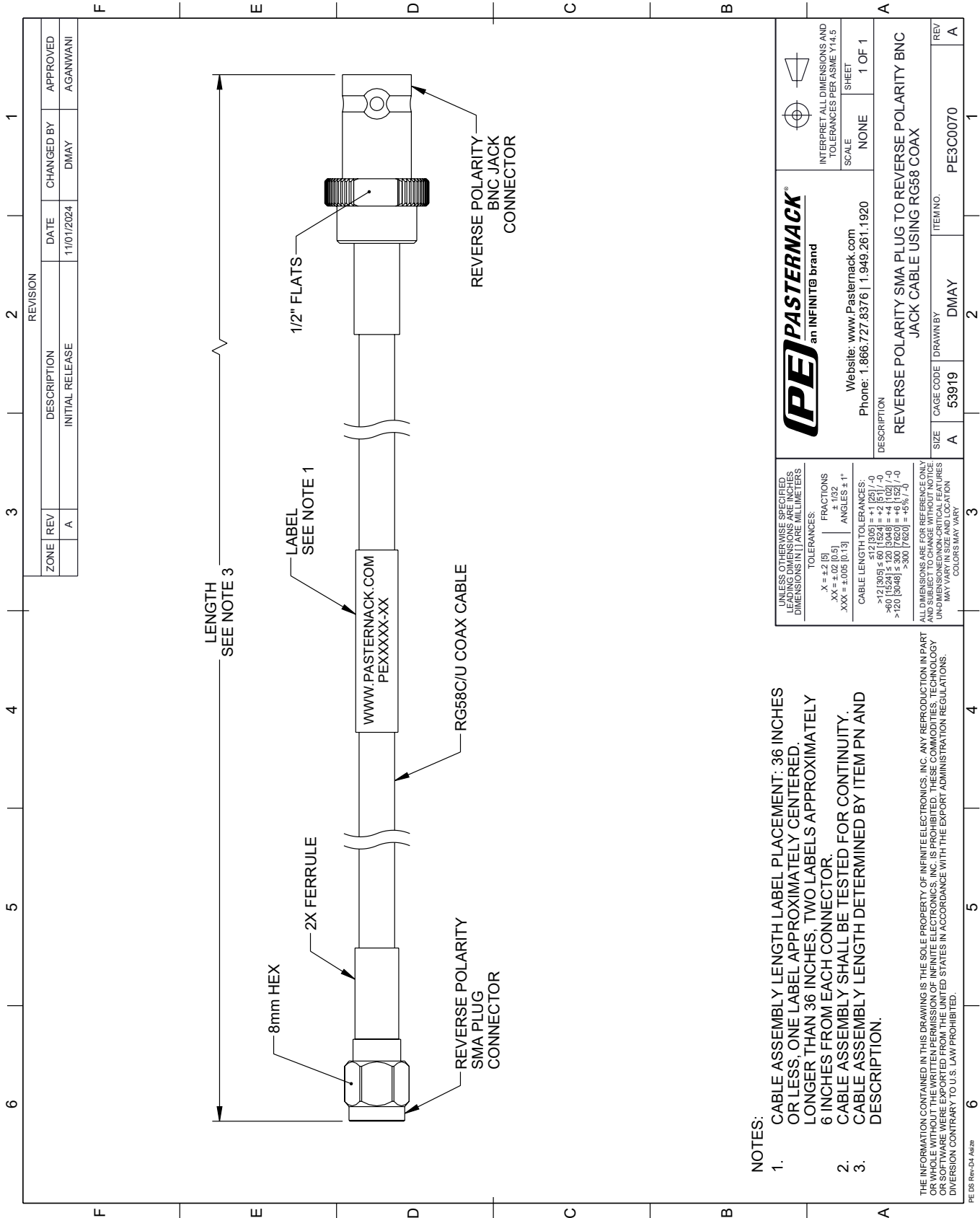
Click the following link (or enter part number in "SEARCH" on website) to obtain additional part information including price, inventory and certifications: [Reverse Polarity SMA Male to Reverse Polarity BNC Female Cable Using RG58 Coax PE3C0070](https://www.pasternack.com/reverse-polarity-sma-male-to-reverse-polarity-bnc-female-cable-using-rg58-pe3c0070)

URL: <https://www.pasternack.com/reverse-polarity-sma-male-to-reverse-polarity-bnc-female-cable-using-rg58-pe3c0070-p.aspx>

The information contained within this document is accurate to the best of our knowledge and representative of the part described herein. It may be necessary to make modifications to the part and/or the documentation of the part in order to implement improvements. Pasternack Enterprises reserves the right to make such changes as required. Unless otherwise stated, all specifications are nominal. Pasternack Enterprises does not make any representation or warranty regarding the suitability of the part described herein for any particular purpose, and Pasternack Enterprises does not assume liability arising out of the use of any part or document.

PE3C0070 CAD Drawing

Reverse Polarity SMA Male to Reverse Polarity BNC Female Cable Using RG58 Coax



NOTES:

1. CABLE ASSEMBLY LENGTH LABEL PLACEMENT: 36 INCHES OR LESS, ONE LABEL APPROXIMATELY CENTERED. LONGER THAN 36 INCHES, TWO LABELS APPROXIMATELY 6 INCHES FROM EACH CONNECTOR.
2. CABLE ASSEMBLY SHALL BE TESTED FOR CONTINUITY.
3. CABLE ASSEMBLY LENGTH DETERMINED BY ITEM PN AND DESCRIPTION.

THE INFORMATION CONTAINED IN THIS DRAWING IS THE SOLE PROPERTY OF INFINITE ELECTRONICS, INC. ANY REPRODUCTION IN PART OR WHOLE WITHOUT THE WRITTEN PERMISSION OF INFINITE ELECTRONICS, INC. IS PROHIBITED. THESE COMMODITIES, TECHNOLOGY OR SERVICES ARE BEING EXPORTED FROM THE UNITED STATES IN ACCORDANCE WITH THE EXPORT ADMINISTRATION REGULATIONS. DIVERSION CONTRARY TO U.S. LAW PROHIBITED.

PE DS Rev-04 Add2

REVISION		DATE	CHANGED BY	APPROVED
ZONE	REV			
	A	11/01/2024	DMAY	AGANWANI
DESCRIPTION				
INITIAL RELEASE				

		INTERPRET ALL DIMENSIONS AND TOLERANCES PER ASME Y14.5 SCALE: NONE SHEET: 1 OF 1	
Website: www.Pasternack.com Phone: 1.866.727.8376 1.949.261.1920			
REVERSE POLARITY SMA PLUG TO REVERSE POLARITY BNC JACK CABLE USING RG58 COAX			
DESCRIPTION	SIZE	CAGE CODE	ITEM NO.
	A	53919	PE3C0070
DRAWN BY: DMAY			

UNLESS OTHERWISE SPECIFIED, LEADING DIMENSIONS ARE IN INCHES, DIMENSIONS IN [] ARE MILLIMETERS.

TOLERANCES:
 .X = ±.2 [5]
 .XX = ±.02 [0.5]
 .XXX = ±.005 [0.13]

FRACTIONS: ± 1/32
 ANGLES ± 1°

CABLE LENGTH TOLERANCES:
 <12 [305] ≤ 60 [1524] = ±.125 [-0
 >60 [1524] ≤ 120 [3048] = ±.102 [-0
 >120 [3048] ≤ 300 [7620] = ±.075 [-0
 >300 [7620] = ±.05 [-0]

ALL DIMENSIONS ARE FOR REFERENCE ONLY. UNLESS OTHERWISE SPECIFIED, DIMENSIONS ARE UNDIMENSIONED/NON-CRITICAL FEATURES. MAY VARY IN SIZE AND LOCATION. COLORS MAY VARY.